An aerial photograph of three people on a deck. A woman in a light green dress stands in the center, holding a drink. To her left, a man in a purple shirt is kneeling and holding a drink. To her right, a woman in a floral dress is also holding a drink. The deck is made of light-colored wooden planks. In the background, there is a dense green living wall. To the right of the people, there are several decorative pots containing plants and flowers.

Because it's HardieDeck™ not hard work

AUGUST 2015

HardieDeck™
THE NEW BREED IN DECKING



Because life is for living

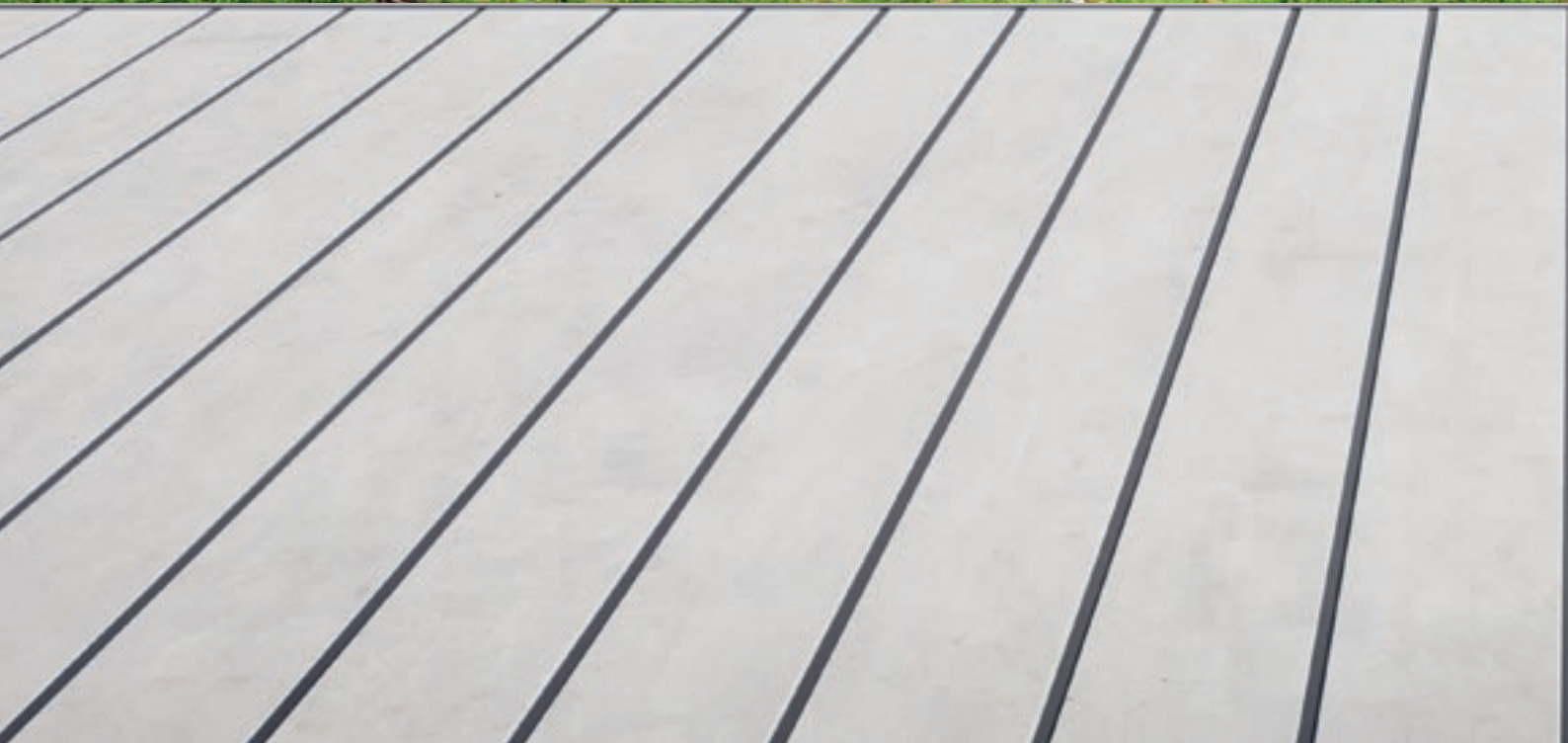
On a sunny day, a deck is a great place to be.

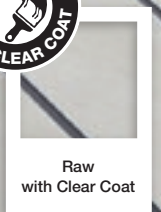
Whether it be relaxing or entertaining, the Australian climate is perfect for outdoor living.

On the other hand, the harsh sun can be punishing on timber decks. Regular staining and knocking nails back down can be the bane of the timber deck owner's outdoor space. *HardieDeck™* was bred to minimise the hard work and maximise leisure time.



Painted in
Shale Grey™

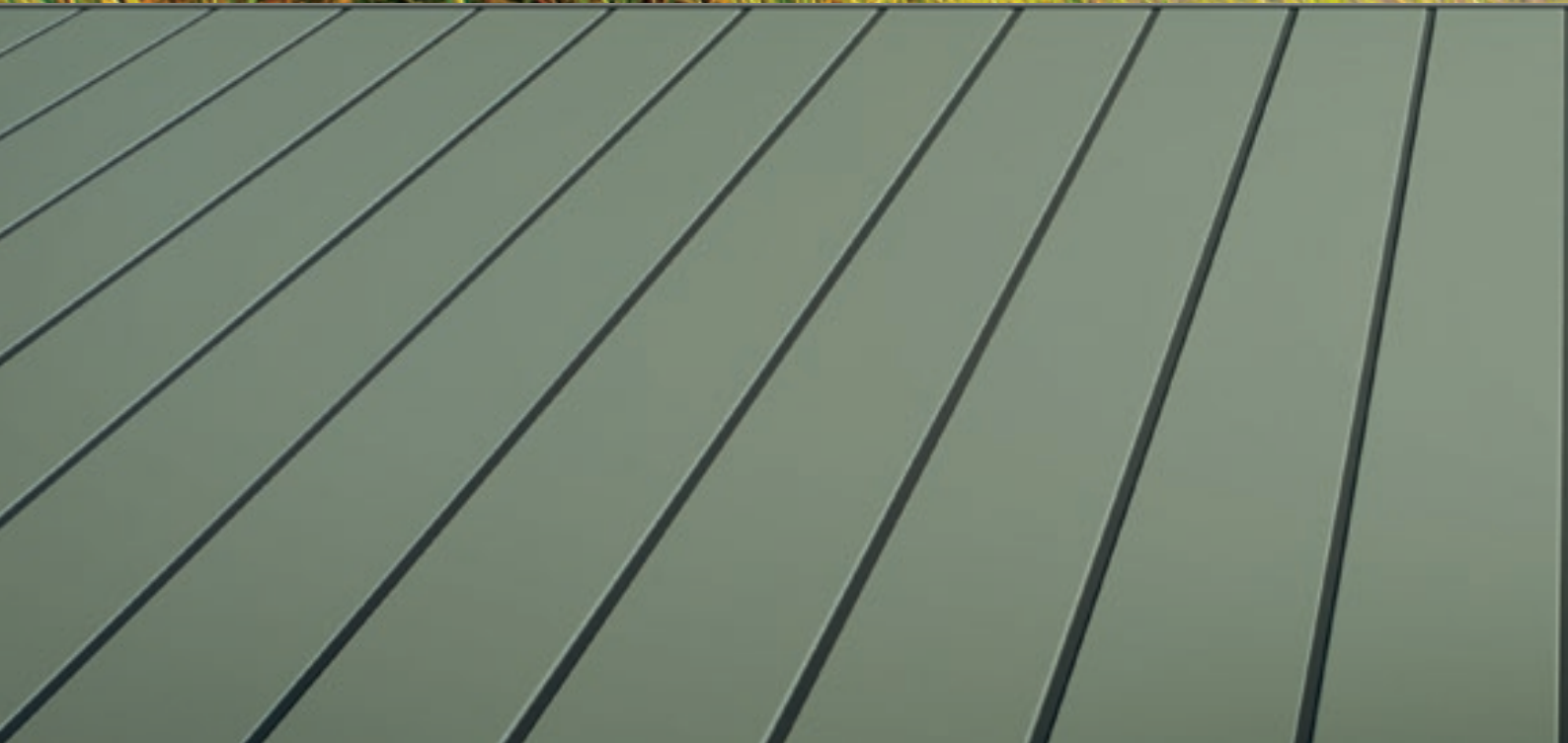


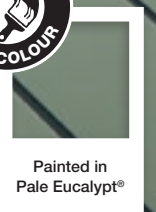


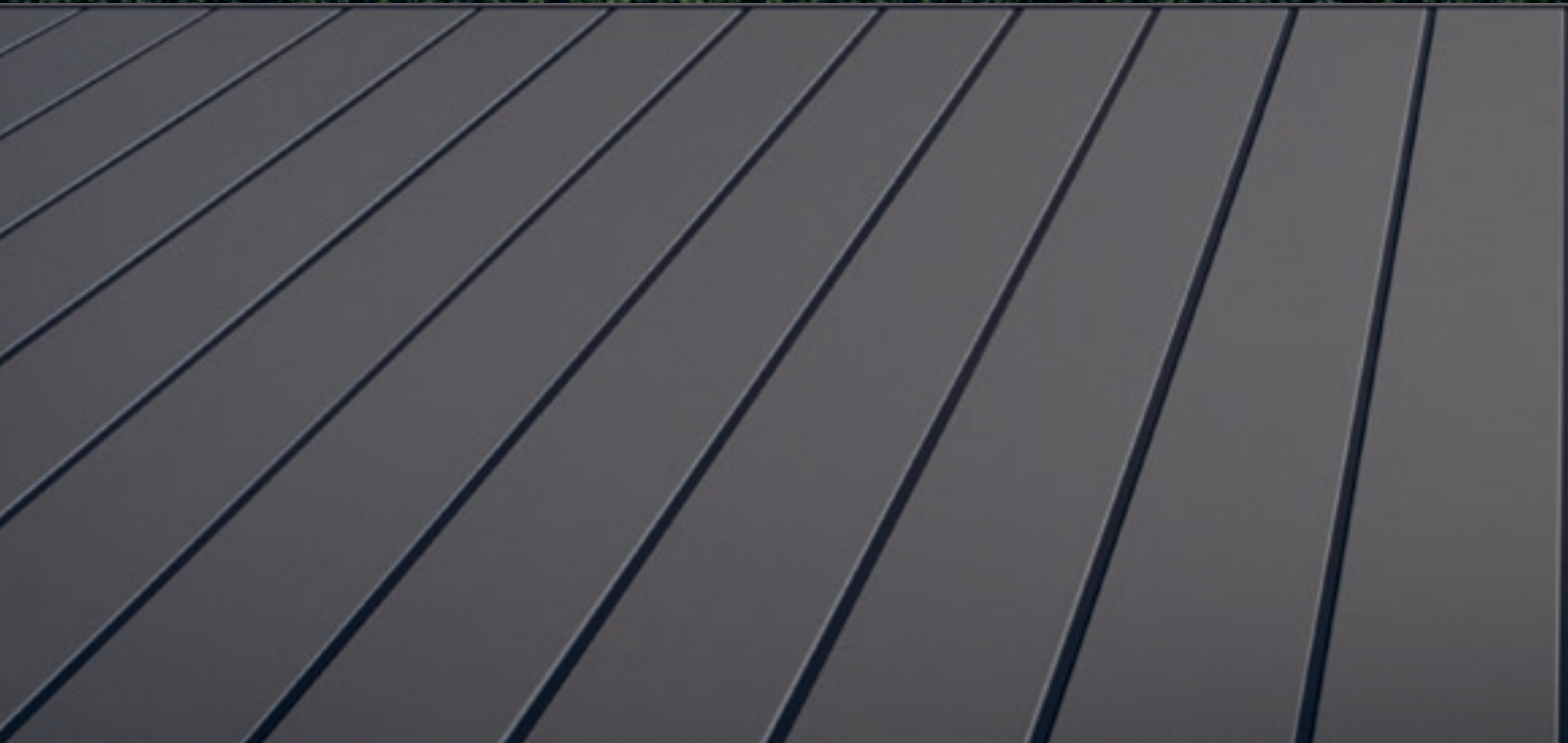
Because it can
be coloured
to match

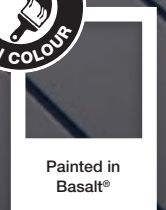


HardieDeck™ systems installed in salt water environments are subject to additional care requirements.



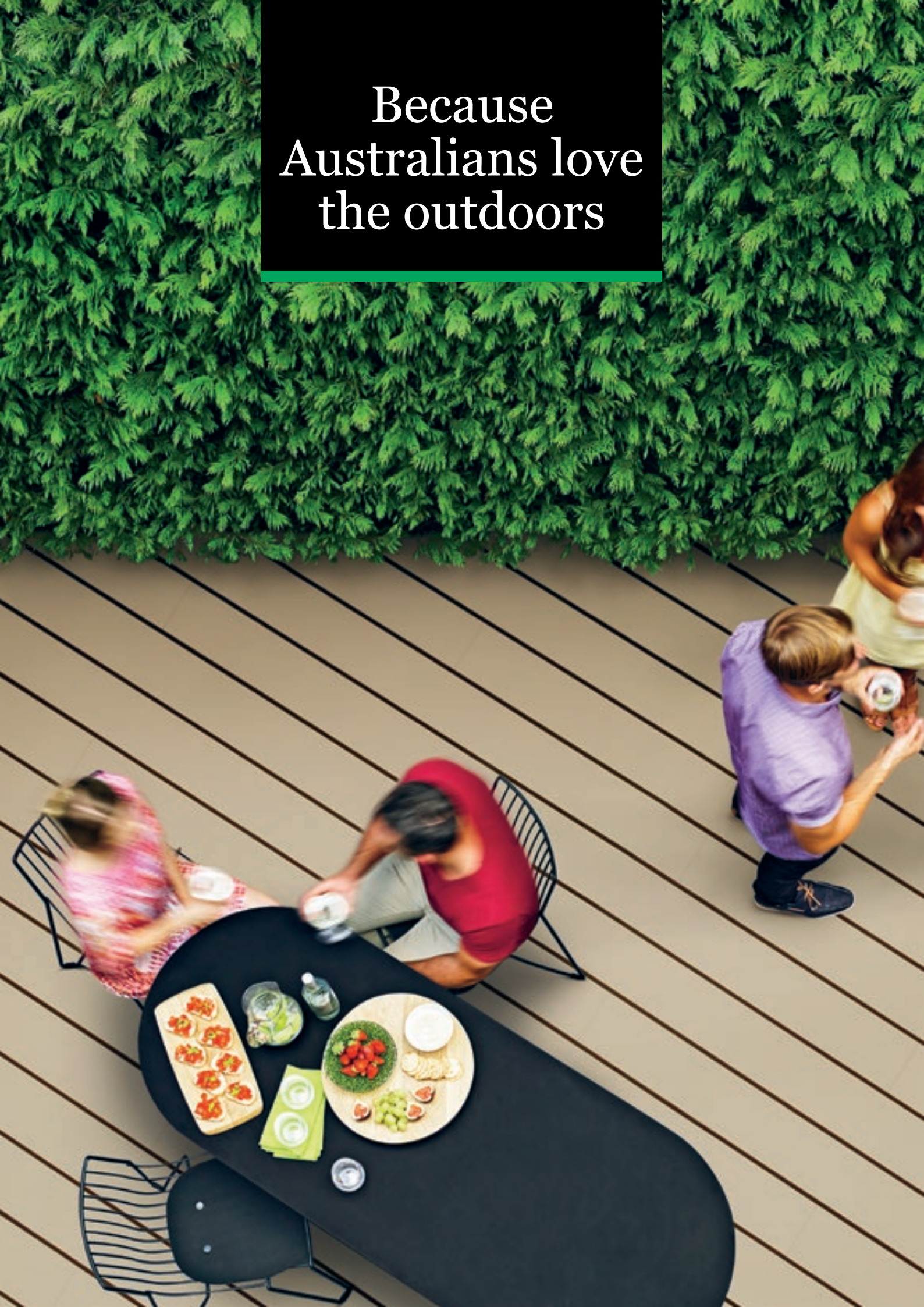






Painted in
Basalt®

Because
Australians love
the outdoors





Relax, it's HardieDeck™

Made for your climate

HardieDeck™ enhances outdoor living in Australian conditions. It's ideal around the pool, as a balcony, sundeck, boardwalk or home entranceway.

It doesn't split or warp in full sun like a timber deck can. It doesn't rot like a damp south-facing deck may. *HardieDeck™* is a fresh alternative to timber or plastic composite decking.

Modern good looks

Timber decks are generally brown or grey (depending on your staining regime).

HardieDeck™ can be coated in a spectrum of colours. Start with a clear sealer for an honest, industrial look. Choose a modern or contemporary look with a grey colour palette. Or choose a heritage colour to match a heritage home. Maybe even choose your favourite colour.

Contrast or compliment the black aluminium "Fast-track" fixing system. The *HardieDeck™* benefits from a broad architectural profile which turns heads and makes a stunning addition to modern or traditional homes alike.

Choosing a coating for HardieDeck™

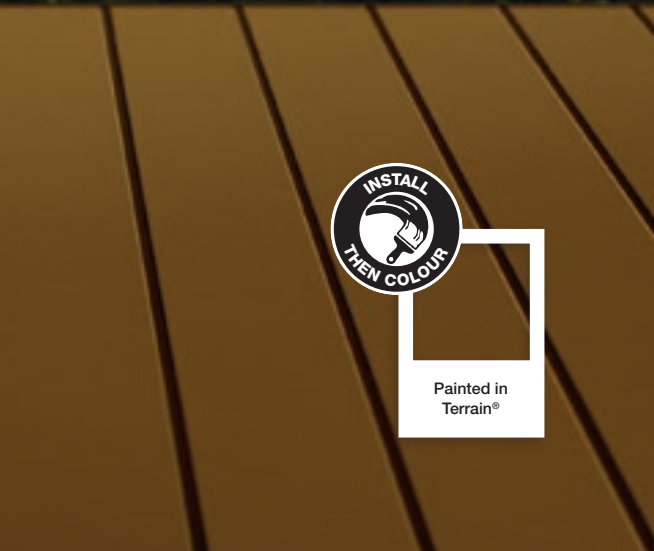
HardieDeck™ needs to be coated with a trafficable paving sealer or paving paint within 60 days. Paving sealers and paints are durable and are used on verandas, paths and driveways.

To see product specifications and recommendations for *HardieDeck™* from paint manufacturers visit www.HardieDeck.com.au/coatings



Because it
will last





10 year system warranty[†]

HardieDeck™ boards are made from a clever mix of wood pulp, sand and cement so they're hard wearing. The 'Fast-track' fixing system is made from coated aluminium. These durable and robust components allow the *HardieDeck™* system to be backed by a 10 year warranty.

Fire, rot and termite resistant[†]

HardieDeck™ can be used in bushfire prone areas and in places prone to dampness and termite activity.

Safe and solid under foot

The boards and fixing system are smooth to walk on, with no nails or splinters. And the 19mm thick boards mate with the aluminium jointers along their entire length for a solid feel under foot.

[†]When installed and maintained correctly and to the extent set out in James Hardie's published literature current at the time of installation.

Because it's
engineered
to perform





Design information[†]

CSIRO certified for bushfire flame zones (BAL-FZ)*

Bushfire approved (BAL-FZ) *HardieDeck*[™] is deemed non-combustible by the National Construction Code (NCC). It's suitable for all Bushfire Attack Levels including Flame Zones as specified in AS 3959-2009 Construction of buildings in bushfire prone areas.



Span capacity

Available in 3000mm lengths. *HardieDeck*[™] is designed to span a maximum of 500mm joist spacing.

Poolside decks and wet areas

HardieDeck's[™] resistance to rot and damage from moisture makes it a solution for wet areas. A slip resistant aggregate can be added to the trafficable paving paint coatings.



Painted in
Windspray[®]

[†] For more information refer to the *HardieDeck*[™] Installation Guide, www.HardieDeck.com.au

*Based on the AS/NZS 1530.3 test results in CSIRO Certificate of Test FNE11103 and the requirements specified in Clause C1.12 of the Building Code of Australia, it is the opinion of this Division that "James Hardie Strip Decking" satisfies the intent for non-combustible materials presented in Clause C1.12 and may be used where non-combustible materials are required, including decking, stair treads and the trafficable surfaces of ramps and landings in BAL-FZ zones.

Because it's
HardieDeck™
living's a breeze





Clean lines, extra wide

Engineered quality

Traditional decks have gaps between the boards which can fill with debris making them hard to sweep. The *HardieDeck™* system fills the gaps with a clever Fast-track fixing system which also conceals the screws. This gives *HardieDeck™* a precise, engineered look with neatness and attention to detail that oozes quality. The specially designed options including finishing board, edge board and edge capping complete the professional finish.

A modern wide board look


With timber decks 90mm wide boards are the standard, and 140mm wide boards have become a premium option. At 196mm wide, *HardieDeck™* boards are extra wide and extra stylish with strong clean lines and a modern look.



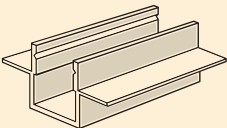
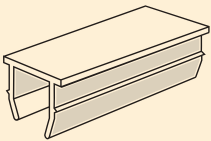
Painted in
Shale Grey™

Because good design should be simple



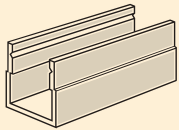
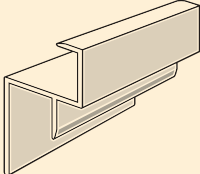
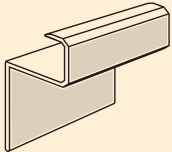
HardieDeck™ system

Product Code	Product Description	Schematic
404780	HardieDeck™ Board 19 x 196 x 3000mm	

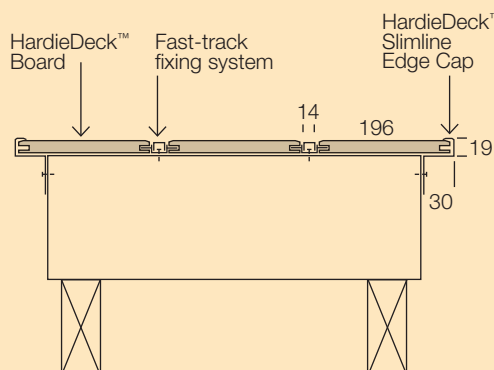
Fast-track fixing system

305841	HardieDeck™ Double Winged Base Jointer 3000mm long	
305842	HardieDeck™ Snap-in Top Strip 3000mm long	

HardieDeck™ options

Product Code	Product Description	Schematic
404781	HardieDeck™ Edging Board 19 x 196 x 3000mm	
404782	HardieDeck™ Finishing Board 19 x 296 x 3000mm	
305843	HardieDeck™ Wingless Express Jointer 3000mm long	
305844	HardieDeck™ Fascia Edge Cap 3000mm long	
305846	HardieDeck™ Slimline Edge Cap 3000mm long	

Actual Board Width – 196mm





Bushfire Approved – Flame Zone (BAL-FZ)[†]



Resistant to Rotting[†]



Resistant to Termites[†]



Resistant to Moisture Damage[†]



Safe and Solid Underfoot



Wide Colour Choice



10 Year System Warranty[†]

[†] When installed and maintained correctly and to the extent set out in James Hardie's published literature current at the time of installation.

see more at
HardieDeck.com.au

HardieDeck™

THE NEW BREED IN DECKING



Call 13 83 53 for information and advice
© 2015 James Hardie Australia Pty Ltd ABN 12 084 635 558.
COLORBOND® and TM & @Colour are registered trademarks of Bluescope Limited.
All other TM and ® denote a trademark owned by James Hardie Technology Limited.

Disclaimers: Colours shown are as close as possible to actual paint colours.
Please note, due to limitations of the printing process, photographic and printed
images may not represent the true colour. Always confirm your colour choice
with your paint supplier.

