

AZZURRA

BATHROOM FURNITURE



BURANO INWALL SLM SHW/BTH DIVERTER



Description :

Shower/bath diverter mixer with concealed face plate seal and easy grip push/pull diverter button

Model No: 3336880129

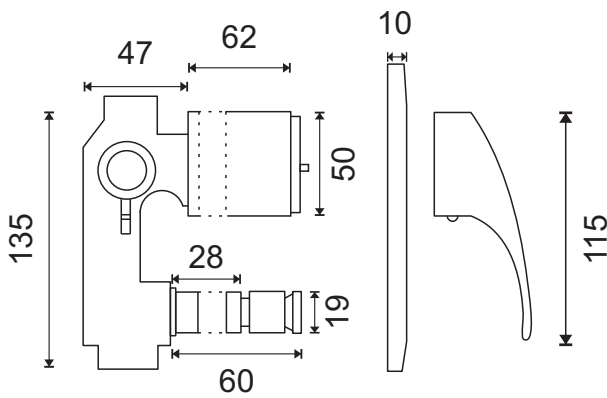
Cartridge: Kerox Ceramic Disc 40mm

Finish: Polished chrome

Weight: 1.6kg

Warranty: Refer to Website

Catalogue & technical specifications available at www.azzurra.com.au



Fixing lugs for ease of installation

