

# Mondella

RUMBA  
MODERN MINIMALIST

## RUMBA SIDE LEVER SINK MIXER

- 35mm Cartridge.
- Manufactured to Australian Standards AS/NZS3718, WMKA21979 DR ApprovalMark.
- Fitted with Approved Water Saving Devices. WELS Lic no.1101.

Item Number: 5004157



AS/NZS3718  
WMKA21979 DR  
ApprovalMark



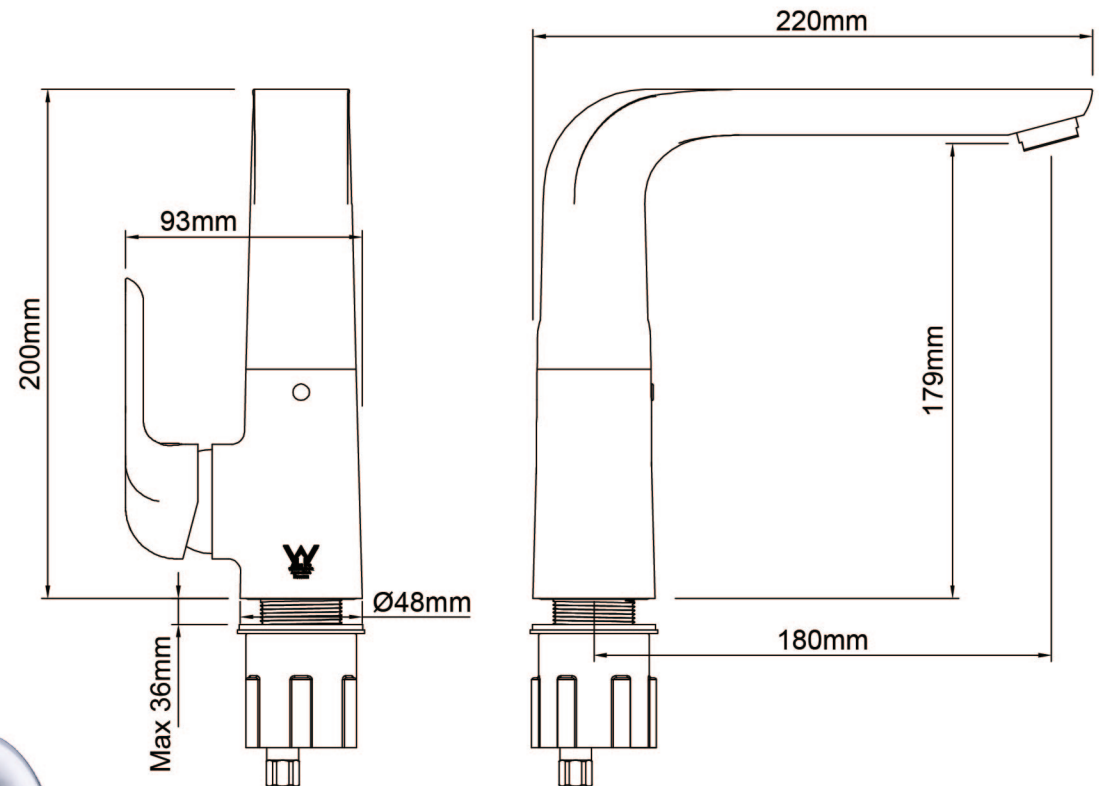
WATER RATING  
www.waterrating.gov.au

6 litres per minute

In accordance with AS/NZS 6400

Licence No. 1101  
Kinetic Sourcing Group Ltd

# 10 YEAR WARRANTY\*



5004157-FLV1  
06/12/17

\* refer to [www.mondella.com.au](http://www.mondella.com.au) for full warranty details

All dimensions in millimetres (mm) and subject to manufacturing tolerances.