

## step 1

Follow these instructions to build and attach your cabinet.

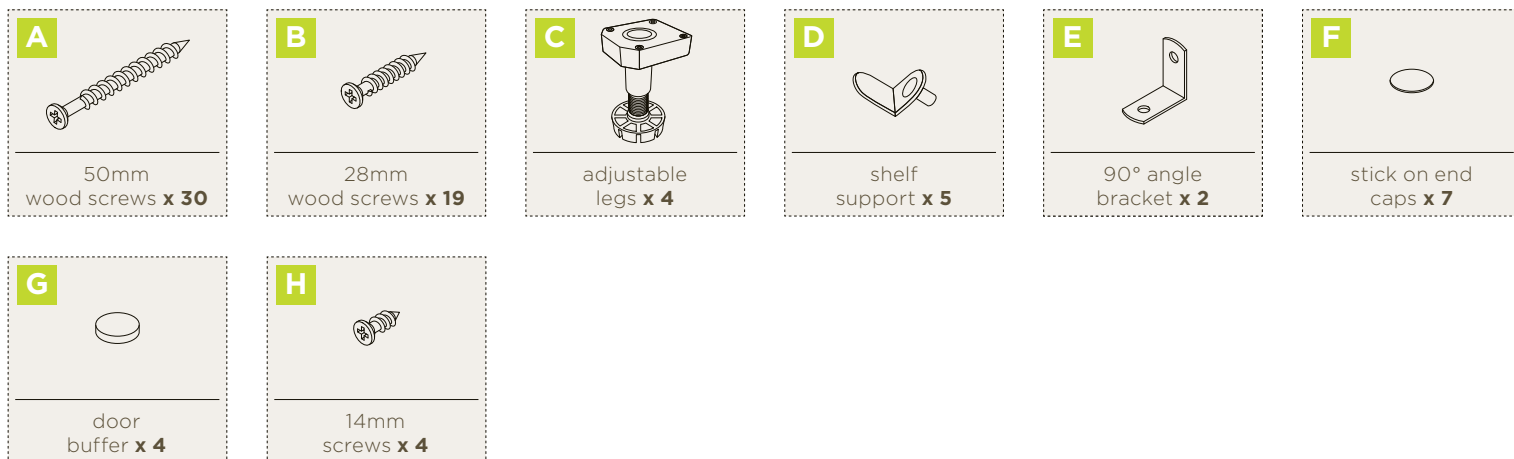


# 900mm **base cabinet**

## Things you need to know

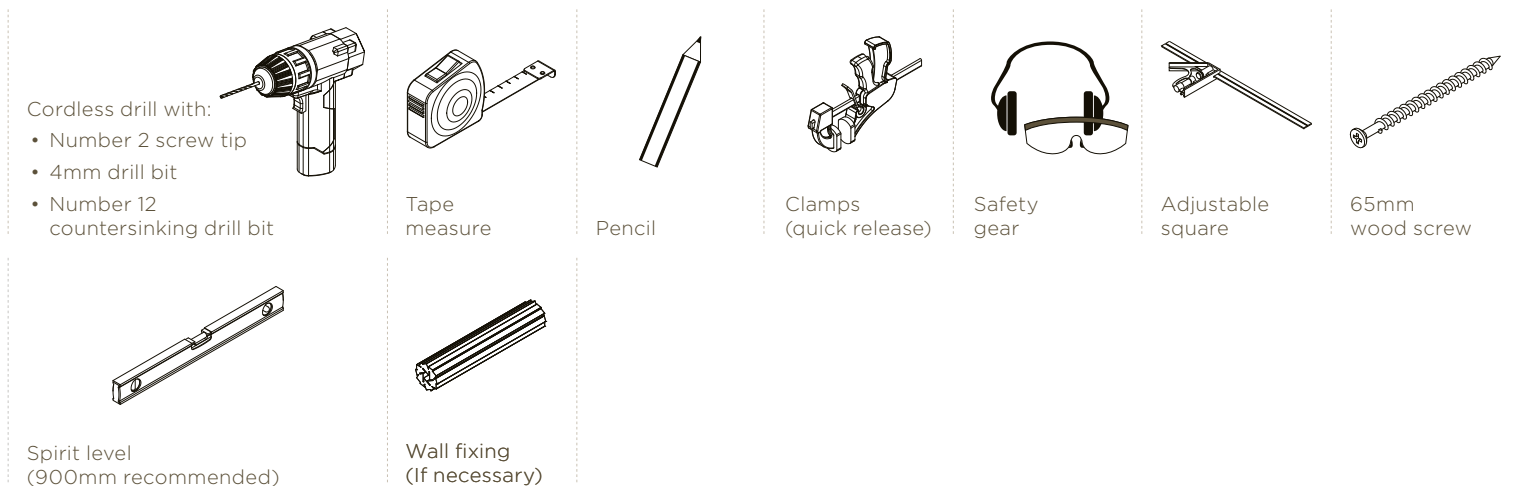
- All cabinets will need to be attached to the wall using a minimum of 8 gauge 65mm screws if you have a stud wall. If your wall is concrete, brick or another surface ask your hardware specialist for advice on the right fixing method.
- Make sure you leave plumbing and electrical work to qualified trades people. Never try this yourself.
- For extra strength use exterior woodworking glue when assembling cabinets.
- To help identify panels, counter sunk holes always face outwards.
- All holes that aren't already pre-drilled should be drilled prior to screwing using a No 12 countersinking drill bit.
- Make sure you always use safety gear like a mask, ear muffs and glasses when using tools.
- If you have any questions, contact us on:  
Australia: **1800 666 078** Monday to Friday between 8:00am and 6:00pm AEST, New Zealand: **0800 522 663** Monday to Friday between 8:00am and 5:00pm NZST or email: [info@kaboodlegroup.com.au](mailto:info@kaboodlegroup.com.au).

## Hardware included

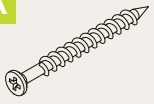
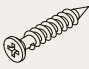
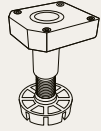



## Tools you will need

To put your kaboodle kitchen cabinets together you will need the following tools.



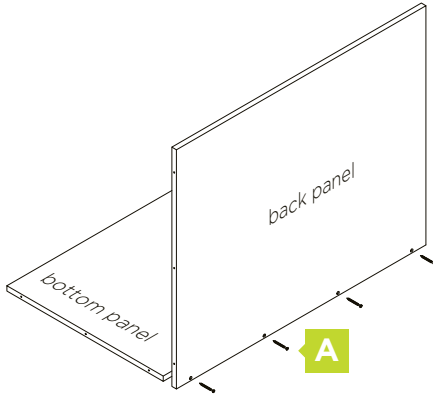
## hardware key

|  |  |  |  |
|--|--|--|--|
| <b>A</b><br> | <b>B</b><br> | <b>C</b><br> | <b>D</b><br> |
| 50mm wood screws   | 28mm wood screws   | adjustable legs  | shelf support  |

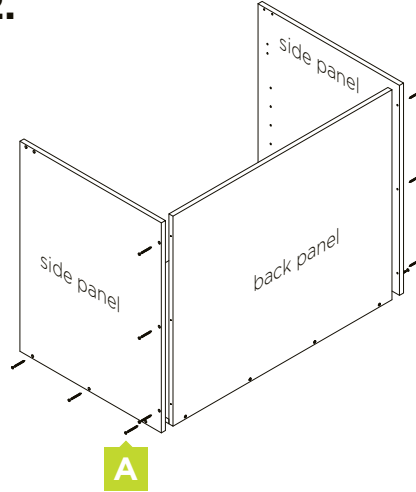
## 900mm base cabinet

### assembling cabinet

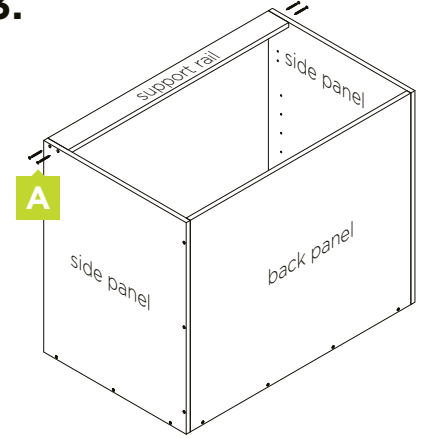
1.



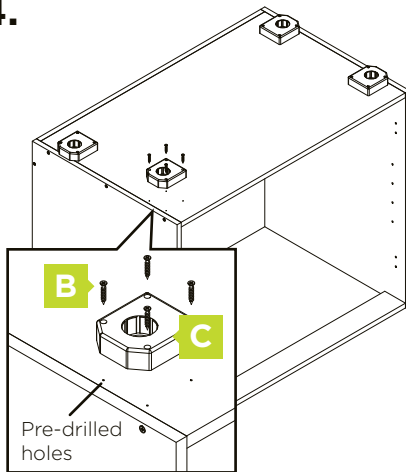
2.



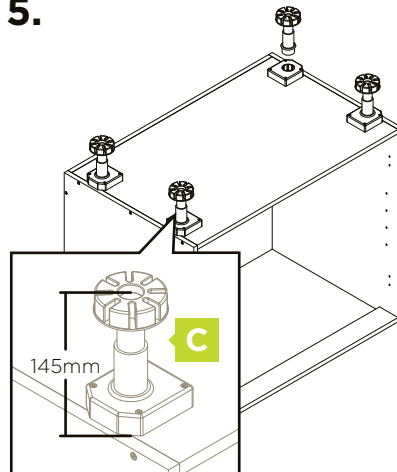
3.



4.

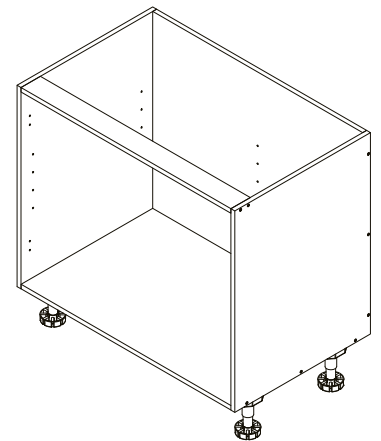


5.



Set height of the adjustable feet to 145mm.

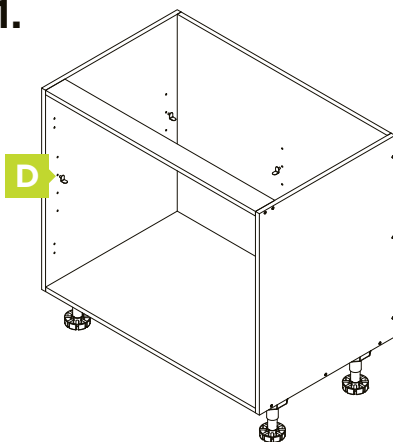
6.



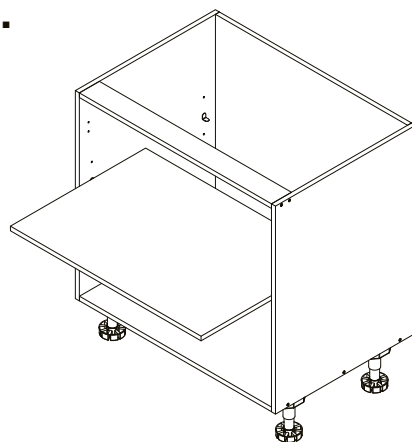
Cabinet frame now complete

### Installing adjustable shelf

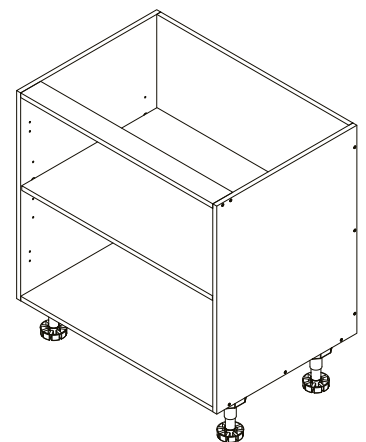
1.



2.



3.



Cabinet complete

B

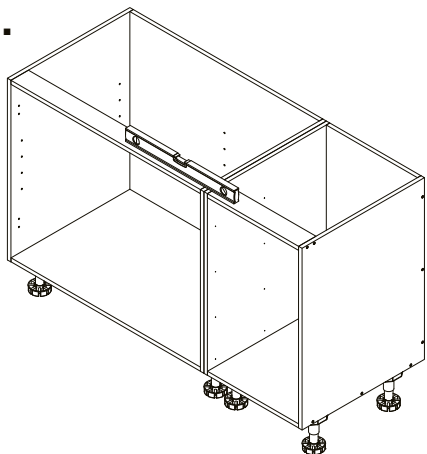


28mm wood screws

## 900mm base cabinet

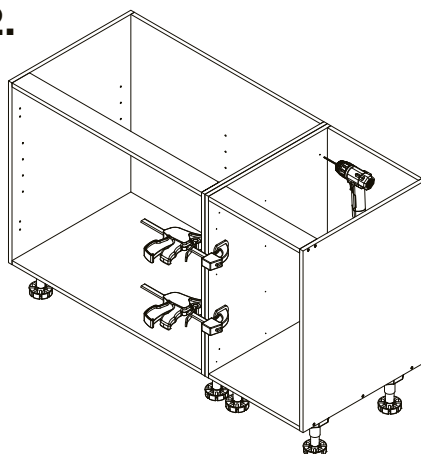
### joining cabinets

1.



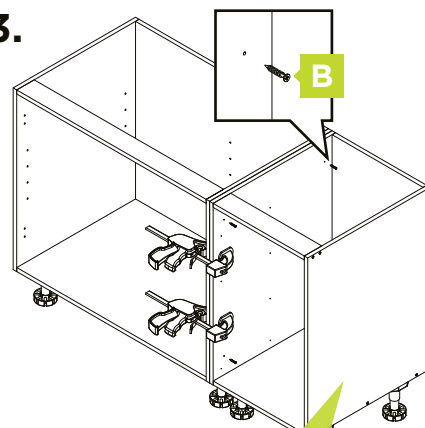
Check that all cabinets are level.

2.



Clamp cabinets and pre-drill screw holes.

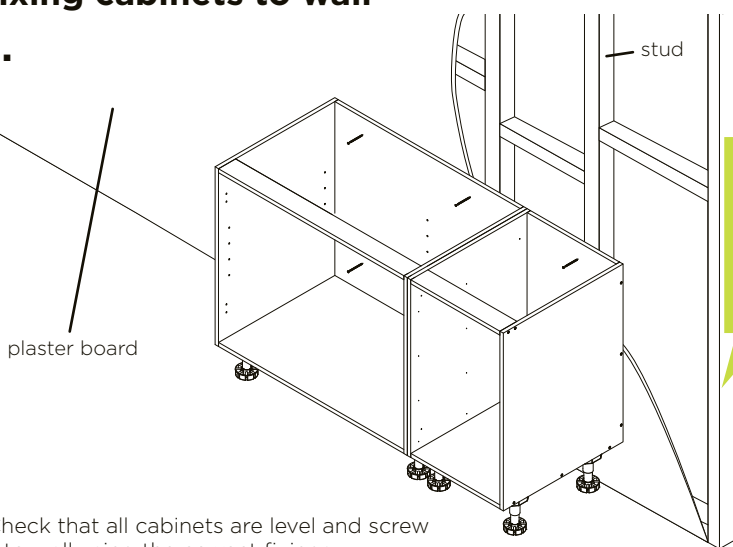
3.



When you need to add an end panel check out the end panel instructions for installation tips.

### fixing cabinets to wall

1.



Check that all cabinets are level and screw into wall using the correct fixings.

**Caution:** Please ensure all cabinets are screwed into your timber stud wall using a minimum of 65mm timber screws. If attaching to concrete, brick, steel or any other substrates seek advice from your hardware specialist.

### Caring for your kaboodle cabinets

Looking after your cabinets is really easy and with the right care and maintenance they will last you for many years. Just follow these simple steps and if you need any more information you can contact us: Australia: **1800 666 078** Monday to Friday between 8:00am and 6:00pm AEST. New Zealand: **0800 522 663** Monday to Friday between 8:00am and 5:00pm NZST or email: [info@kaboodlegroup.com.au](mailto:info@kaboodlegroup.com.au).

Clean your cabinets with an all purpose, non-abrasive cleaner with a damp sponge or cloth and make sure you never use saturated cloth, harsh chemicals or thinner based cleaners as these will damage the surface of the melamine. Likewise, never use products that will scratch the surface like steel wool or wire brushes and avoid sharp objects that will scratch, cut or gouge the melamine surface. If this happens the internal board will be exposed and may swell. Kaboodle cabinets are water resistant but not water proof so any spills should be attended to immediately.

**Handy hint:** if the melamine surface of your cabinet is damaged you can try and cover it with a furniture repair crayon but just remember that this won't seal the board back to its original finish.

We offer a dedicated customer service line for advice or any questions you may have on kaboodle products.

Call customer service on:  
Australia: **1800 666 078** Monday to Friday between 8.00am and 6.00pm AEST

New Zealand: **0800 522 663** Monday to Friday between 8.00am and 5.00pm NZST or email: [info@kaboodlegroup.com.au](mailto:info@kaboodlegroup.com.au)

**step 1**



Your Kaboodle cabinet is now complete.

**step 4**

Finish off your Kaboodle Kitchen by installing your benchtop.



**step 2**

Next grab your parts and accessories instructions.

**step 3**

Then follow the instructions to fit your doors and panels.