

XL MOBILE STORAGE UNIT

810H x 1500W x 500Dmm

ITEM NO: GOS094

Very Important: Unpack the unit and confirm that you have all the parts listed. Assemble the unit on a solid, level surface. Avoid carpet. You will need the assistance of a second person during assembly.
You will need the following: Phillips-head screwdriver and a rubber mallet or hammer.

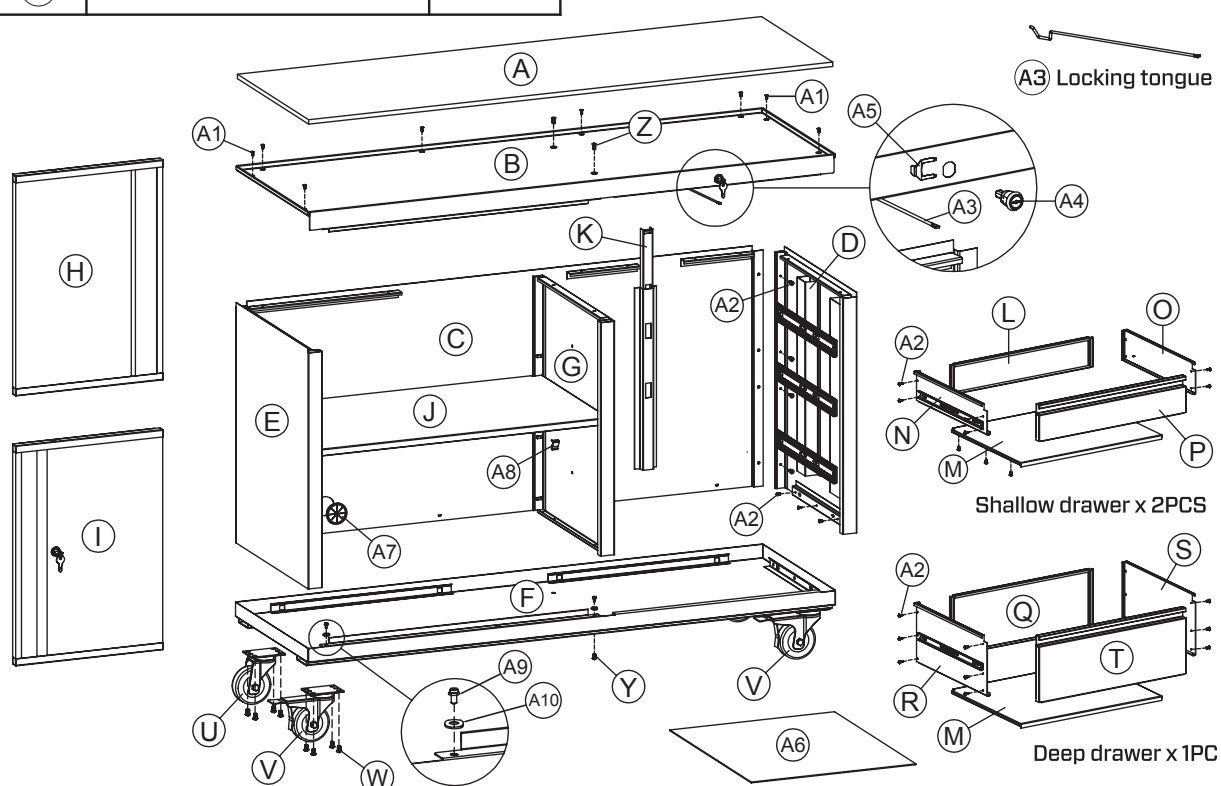
**POWDER
COATED
MATTE BLACK**

SAFETY TIP:

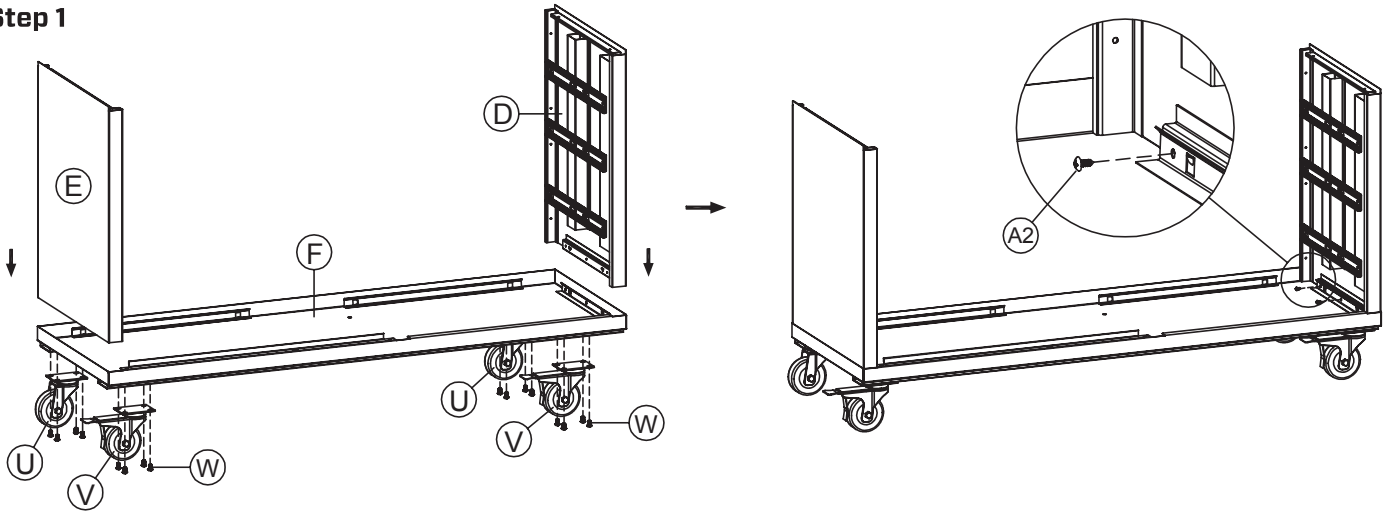
When assembling or installing this product wear protective gloves and eyewear.

NO	PART NAME	PCS
(A)	Anti-slip top liner	1PC
(B)	Top panel	1PC
(C)	Back panel	1PC
(D)	Right panel	1PC
(E)	Left panel	1PC
(F)	Bottom panel	1PC
(G)	Middle panel	1PC
(H)	Left door	1PC
(I)	Right door	1PC
(J)	Shelf	1PC
(K)	Locking channel	1PC
(L)	Shallow drawer back panel	2PCS
(M)	Drawer base panel	3PCS
(N)	Shallow drawer left panel	2PCS
(O)	Shallow drawer right panel	2PCS
(P)	Shallow drawer front panel	2PCS
(Q)	Deep drawer back panel	1PC
(R)	Deep drawer left panel	1PC

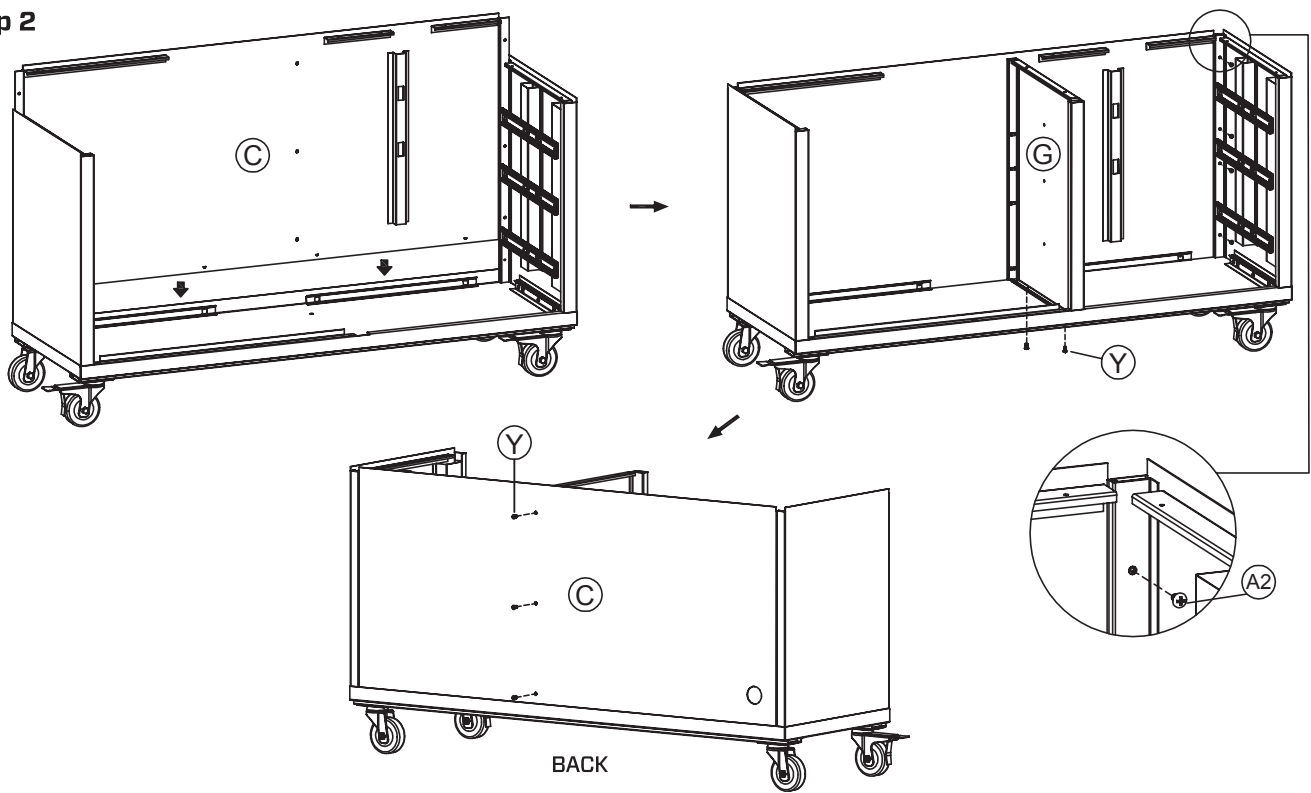
NO	PART NAME	PCS
(S)	Deep drawer right panel	1PC
(T)	Deep drawer front panel	1PC
(U)	Castor	2PCS
(V)	Castor with brake	2PCS
(W)	M8 x 15mm panhead screw	16PCS
(Y)	M6 x 9mm panhead screw	5PCS
(Z)	M6 x 13mm panhead screw	2PCS
(A1)	M4 x 10mm countersunk screw	8PCS
(A2)	M4 x 10mm self tapping screw	75PCS
(A3)	Locking tongue	1PC
(A4)	Lock	1PC
(A5)	Lock positioning plate	1PC
(A6)	Non slip drawer liner	3PCS
(A7)	Wiring grommet	1PC
(A8)	Shelf support	4PCS
(A9)	Bottom hinge pin	2PCS
(A10)	Washer	2PCS



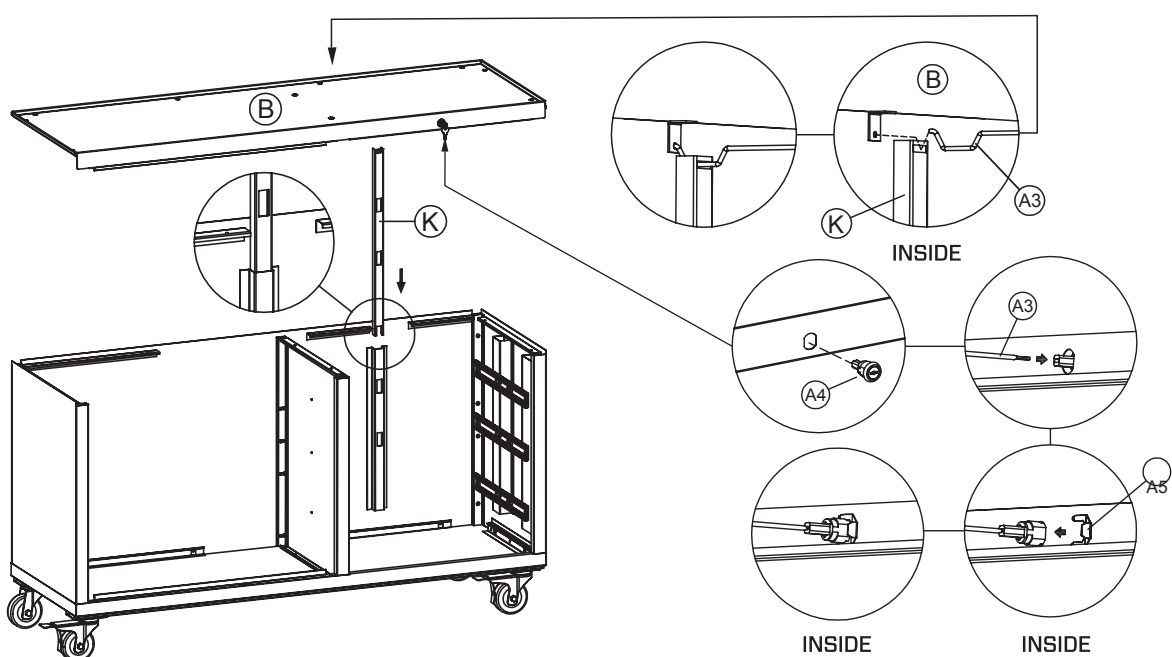
Step 1



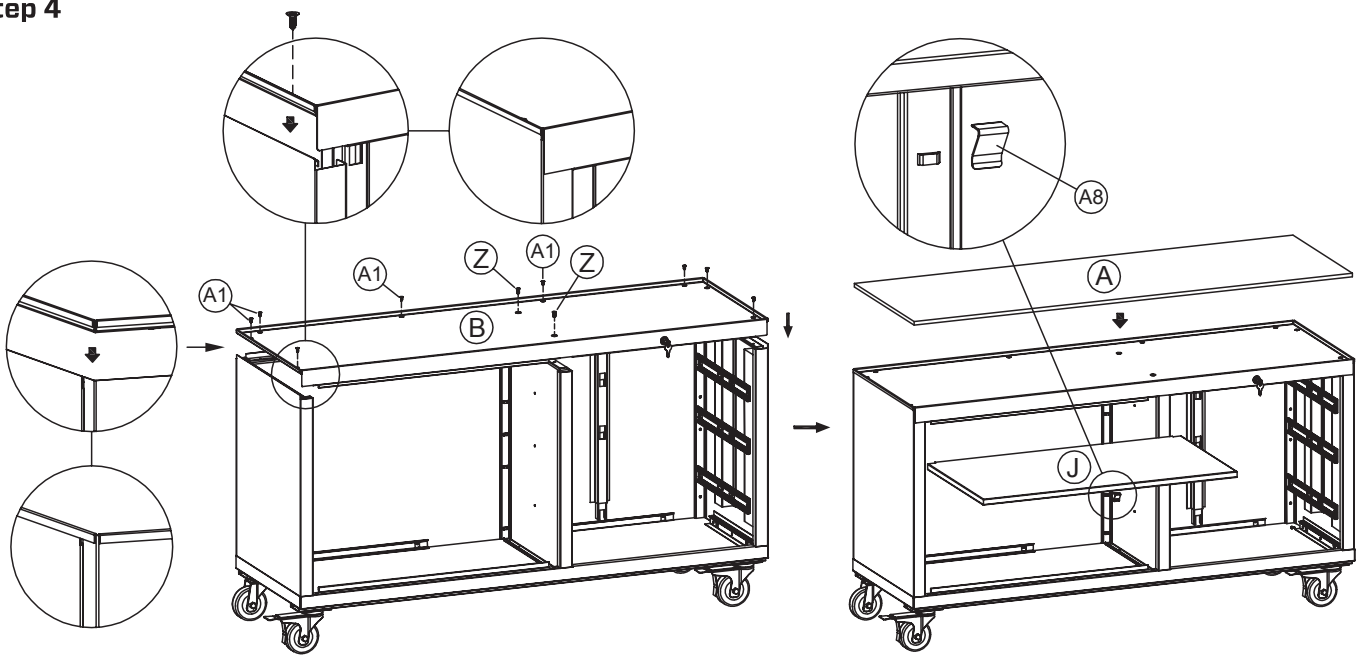
Step 2



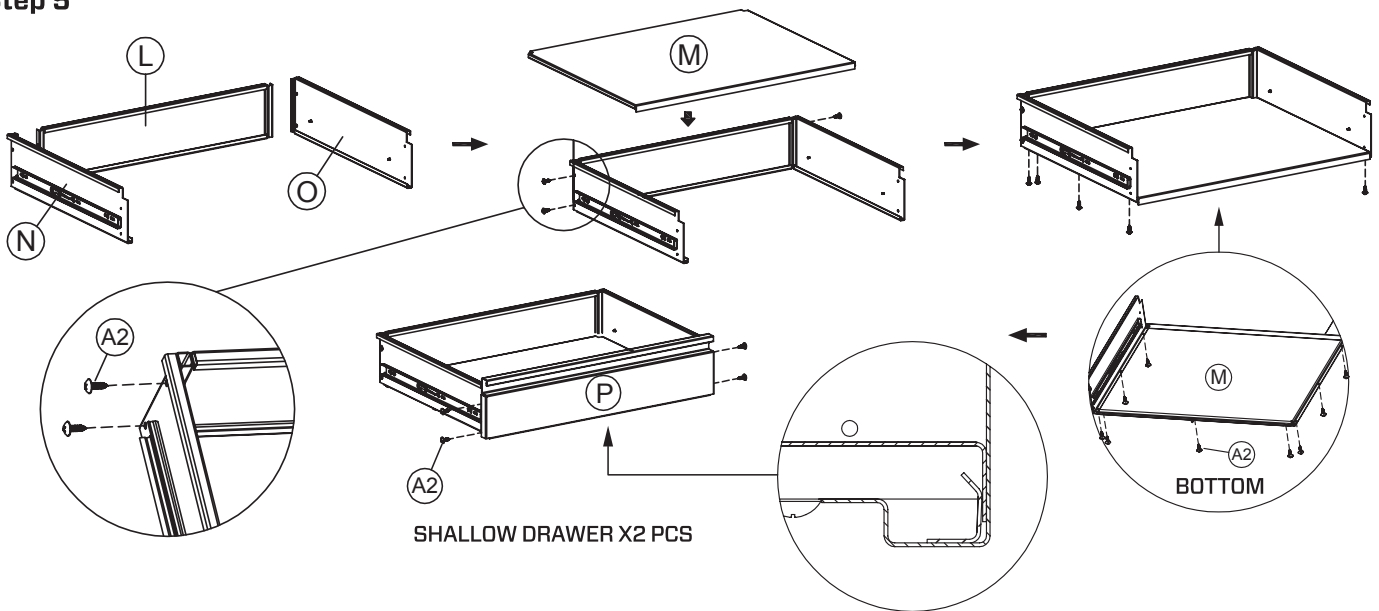
Step 3



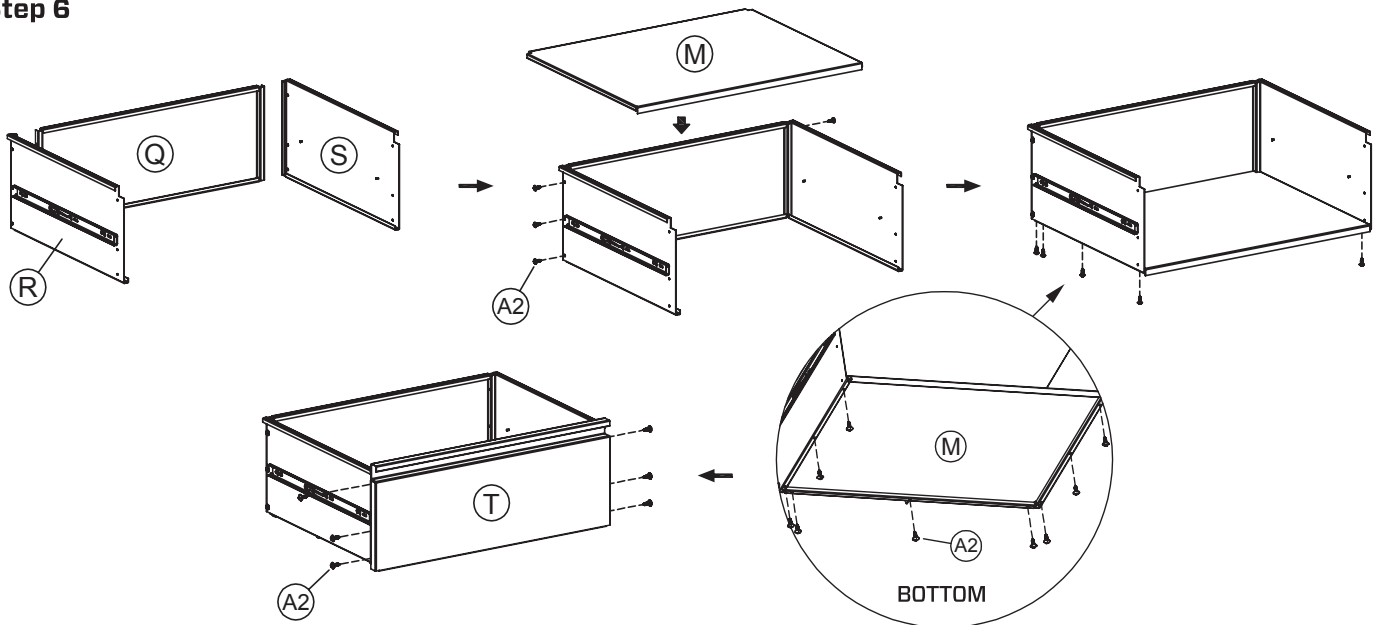
Step 4



Step 5

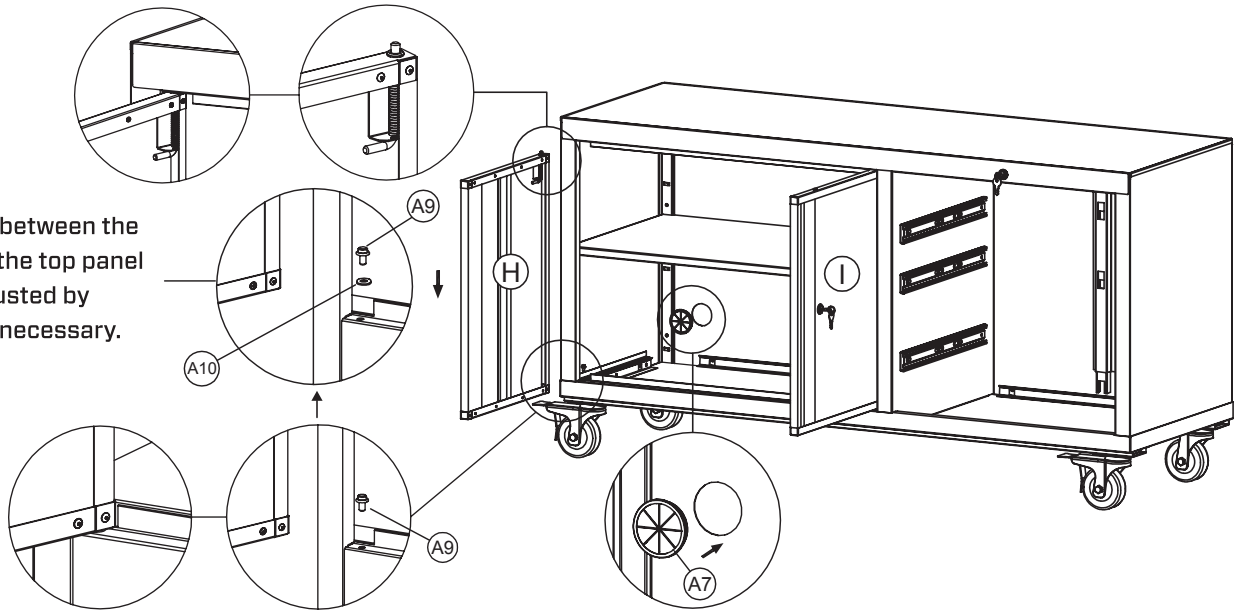


Step 6

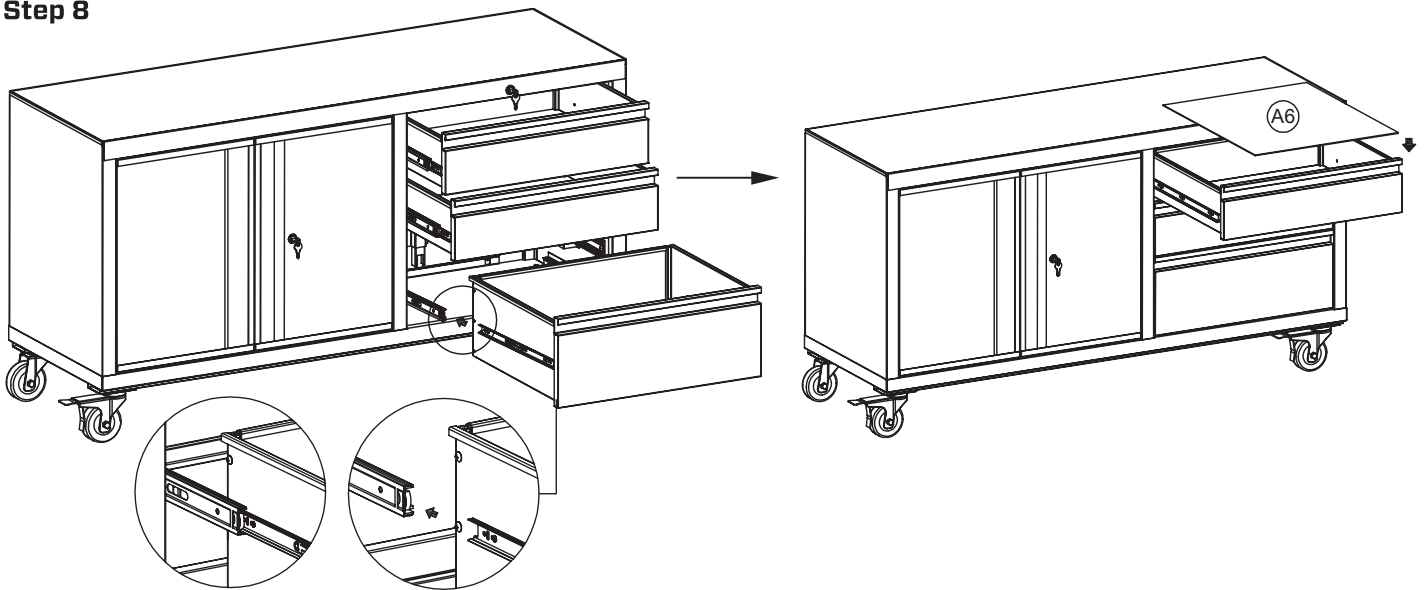


Step 7

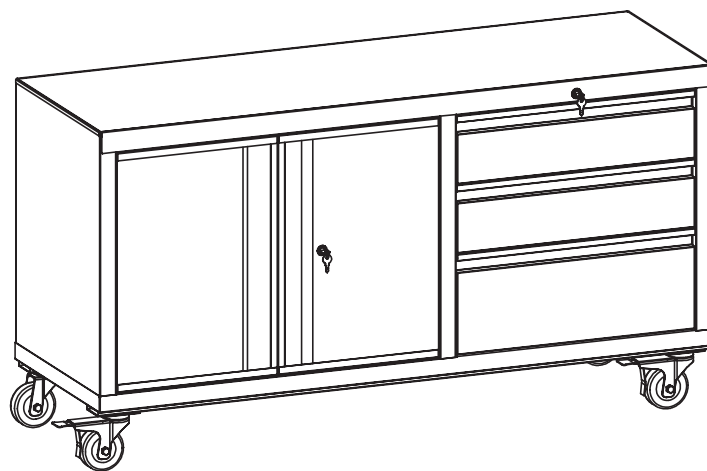
The space between the doors and the top panel can be adjusted by washers if necessary.



Step 8



Step 9



WARRANTY CONDITIONS:

Any claim under this warranty must be made within 1 year of the date of purchase of the product. To make a claim under this warranty, take the product (with proof of purchase) to any Bunnings store (see www.bunnings.com.au for store locations). Pinnacle Hardware bears reasonable, direct expenses of claiming under the warranty. You may submit details and proof of purchase to our support centre for consideration. The warranty covers manufacturer defects in materials, workmanship and finish under normal use. This warranty is provided in addition to other rights and remedies you may have under law. Our goods come with guarantees that cannot be excluded under the Australian consumer law or Consumer Guarantees Act 1993 (NZ). You are entitled to a replacement or refund for a major failure and compensation for any other reasonably foreseeable loss or damage. You are also entitled to have the goods repaired or replaced if the goods fail to be of acceptable quality and the failure does not amount to a major failure. This warranty excludes damage resulting from product misuse or product neglect, any modifications, additions or alterations to the product including the addition of extra shelves. Additions or modifications can compromise the structure and safety of the product. The warranty covers domestic use only and does not apply to commercial applications. This warranty is given by Pinnacle Hardware, ABN 87 614 496 196, 28 Hudson Court, Keysborough Vic 3173, 1800 349 776, Email: support@pinnacle.net.au. New Zealand customers please contact HARCO (Harkness & Young Ltd), Email: sales@harknessyoung.co.nz. 'Pinnacle' is a trademark. © Pinnacle Hardware. Suitable for model number GDS094.