

INSTALLATION OF SLIDING DOORS

- STEP 1a** Fix top and bottom track to wardrobe carcass (jamb). Hardware not supplied.
- 1b** Both top and bottom track are to be kept flush with the front of the wardrobe carcass (jamb).
-

- STEP 2a** Install the back door first.
- 2b** To install door, insert the top of the door up hard into the top track.
 NOTE FIGURE 1.
-

- STEP 3a** When you have the door in place, you can now adjust it with the adjustment screws at the back of the door. NOTE FIGURE 2.
- 3b** To adjust your door, turn screw left or right to make door go up or down. There is an adjustment screw at each end of the door. NOTE FIGURE 2.
- 3c** Adjust the door to suit either side of your wardrobe carcass.
-

- STEP 4** Repeat all steps for the front door.

FIGURE 1.

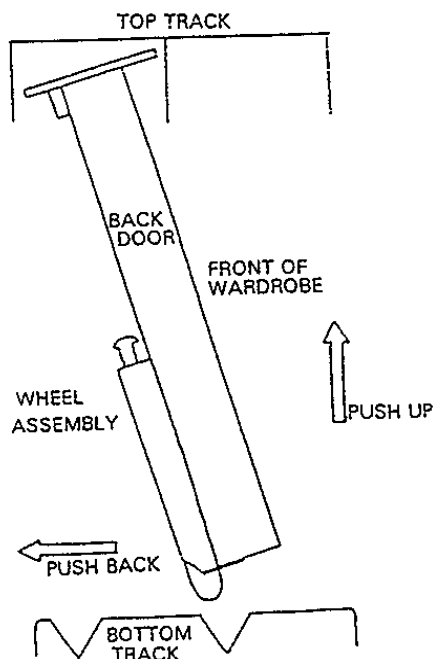
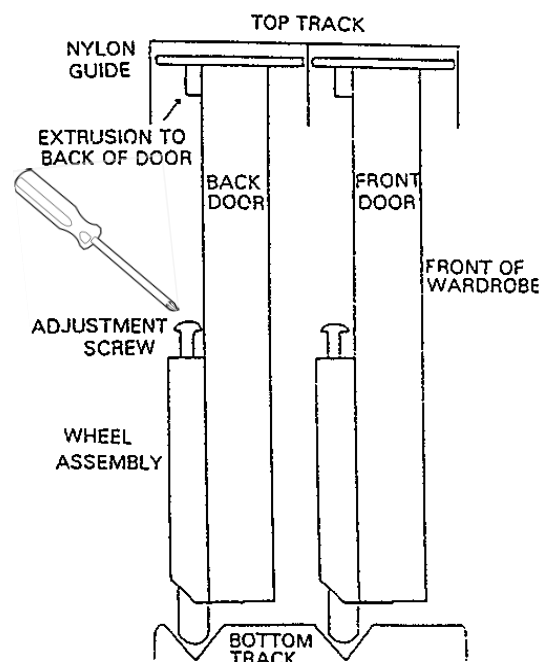


FIGURE 2.



WARRANTY

Our goods come with guarantees that cannot be excluded under the Australian Consumer Law. You are entitled to a replacement or refund or major failure.

1 Year Warranty

- If the purchaser has a fault or defect with this product, the purchaser needs to contact Multistore Industries (Aust) directly on (07) 3208 6799 and state date of purchase, place of purchase and proof of purchase.
- Multistore Industries (Aust) will replace any faulty or defect parts at no cost to the customer. A replacement will be sent to you as soon as possible, or product can be exchanged at the store of purchase.
- This warranty is in addition to other rights and remedies of the customer under law.

Sincerely,
Multistore Solutions Management