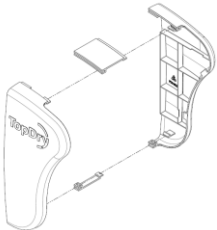
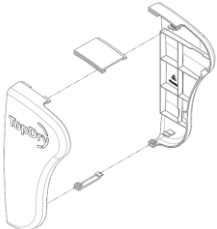
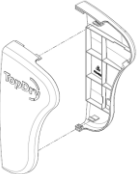

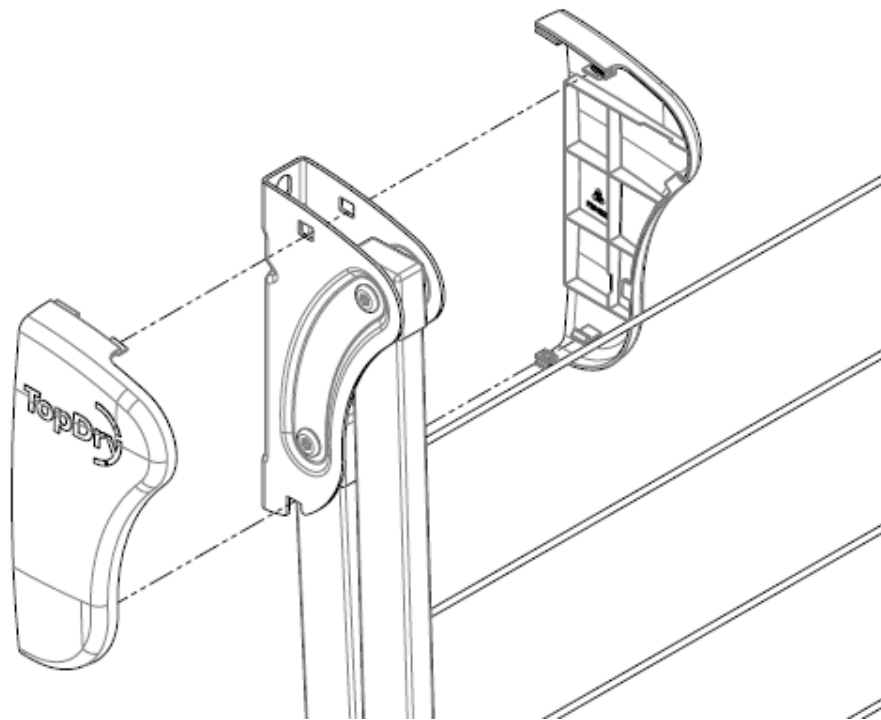


TOPDRY Folding Frame – Wall Bracket Cover Replacement - Installation Instructions

Parts List

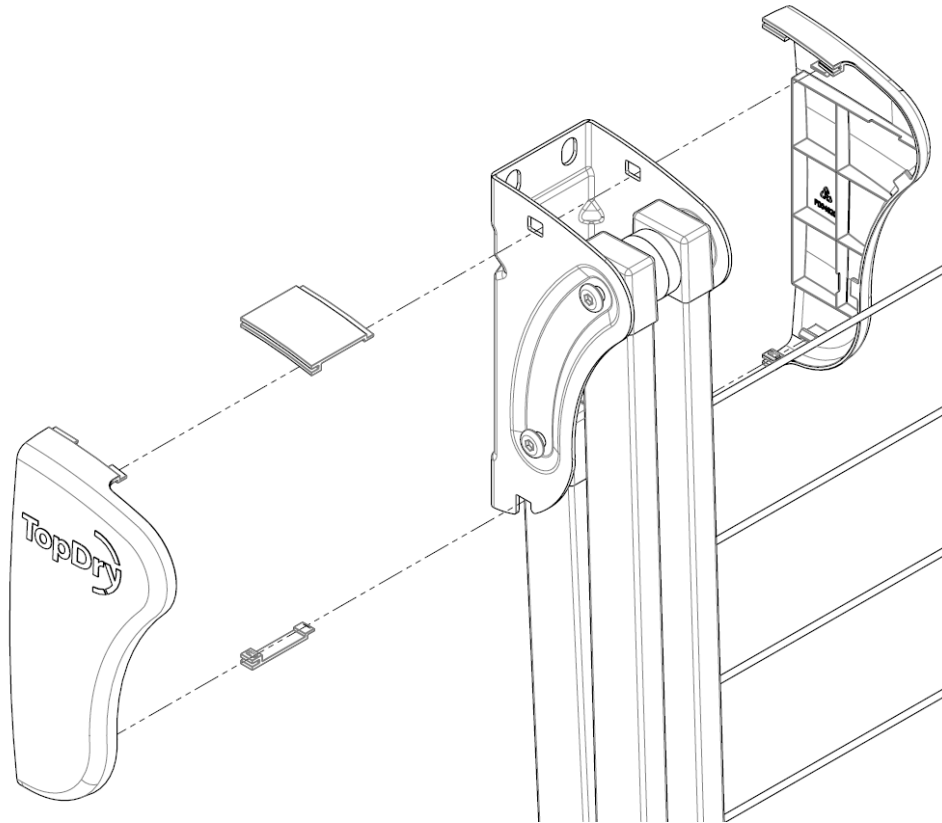
AD05514	Wall Bracket Double Cover - Smoke	 A technical line drawing showing the assembly of a double cover. On the left is a vertical wall bracket with the 'TOPDRY' logo. On the right is a double cover with two compartments. A small rectangular piece is shown above the cover. Arrows indicate the cover being attached to the bracket and the small piece being inserted into the top of the cover.
AD05515	Wall Bracket Double Cover - Slate	 A technical line drawing showing the assembly of a double cover. On the left is a vertical wall bracket with the 'TOPDRY' logo. On the right is a double cover with two compartments. A small rectangular piece is shown above the cover. Arrows indicate the cover being attached to the bracket and the small piece being inserted into the top of the cover.
AD05516	Wall Bracket Single Cover - Smoke	 A technical line drawing showing the assembly of a single cover. On the left is a vertical wall bracket with the 'TOPDRY' logo. On the right is a single cover with one compartment. An arrow indicates the cover being attached to the bracket.
AD05517	Wall Bracket Single Cover - Slate	 A technical line drawing showing the assembly of a single cover. On the left is a vertical wall bracket with the 'TOPDRY' logo. On the right is a single cover with one compartment. An arrow indicates the cover being attached to the bracket.

Wall Bracket Single - Cover Fitting Instructions



1. To remove, unclip the covers by pulling gently.
2. To Replace, fix the Covers onto the Wall Bracket by aligning the clips with the openings on the Wall Bracket and pushing gently.

Wall Bracket Double - Cover Fitting Instructions



1. To Remove, unclip the covers by pulling gently and remove the upper and lower infill pieces.
2. To replace, fit the upper and lower infill pieces and attach the covers to the Wall Bracket by aligning the clips with the openings on the Wall Bracket and pushing gently.