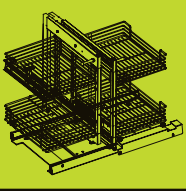


## step 2

Follow these instructions to install your parts and accessories.



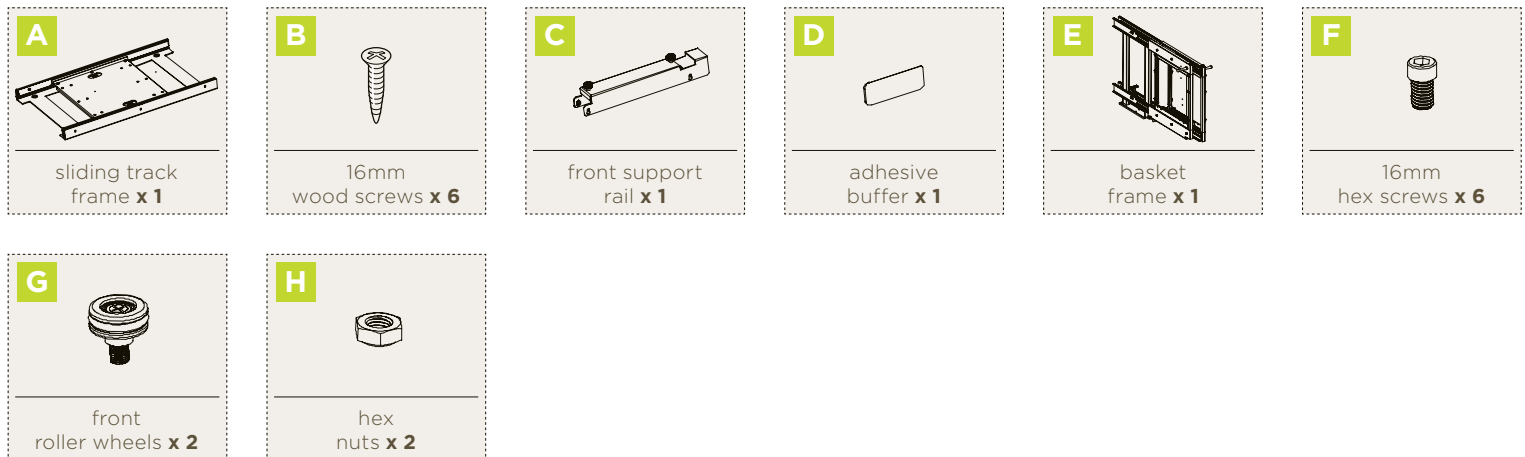
# blind corner pullout baskets

## installation guide

### Things you need to know

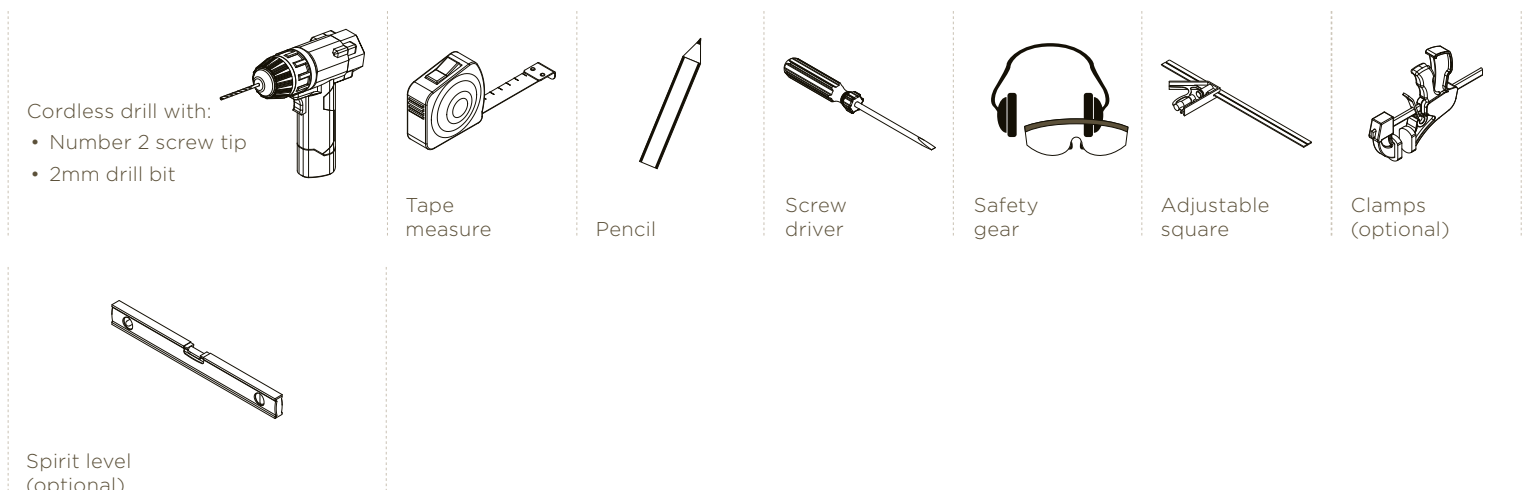
- Always read the full instructions prior to installation.
- Consider possible obstructions to your parts and accessories, like hinges inside the cabinet or adjacent cabinet doors and handles, prior to installation.
- Make sure you leave plumbing and electrical work to qualified trades people. Never try this yourself.
- Make sure you always use safety gear like a mask, ear muffs and glasses when using tools.
- This hardware is designed to be installed in cabinets with either a left hand or right hand open set up.
- **Tip:** After marking out the pre-drill holes as per the instructions, take the part that is to be installed and align the appropriate holes with the markings to ensure they match up prior to pre-drilling the holes.
- If you have any questions, contact us on:  
Australia: **1800 666 078** Monday to Friday between 8:00am and 6:00pm AEST, New Zealand: **0800 522 663** Monday to Friday between 8:00am and 5:00pm NZST or email: [info@kaboodlegroup.com.au](mailto:info@kaboodlegroup.com.au)

### Hardware included



### Tools you will need

To put your kaboodle kitchen accessory together you will need the following tools.



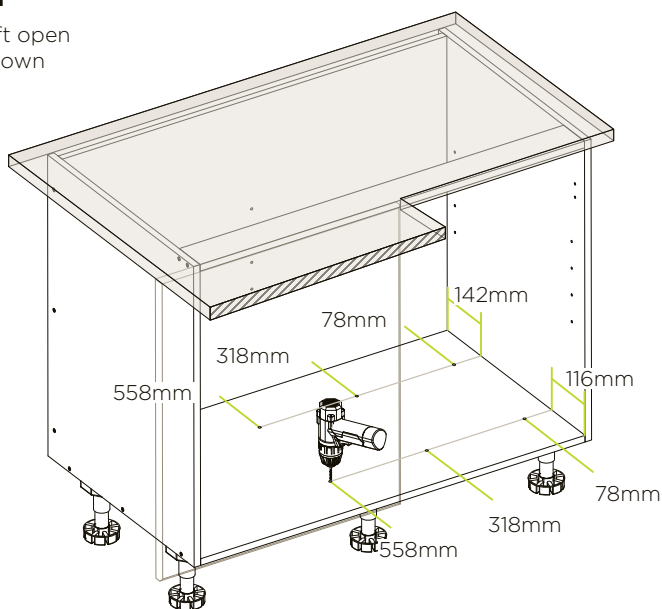


## blind corner pullout baskets

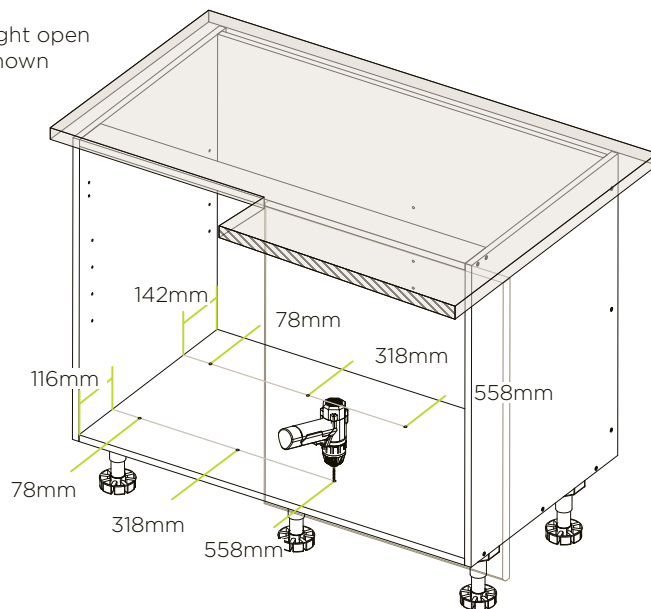
### pre-drilling for sliding track frame

#### 1.

left open shown



right open shown



The measurements are mirrored for right hand open, as pictured above.

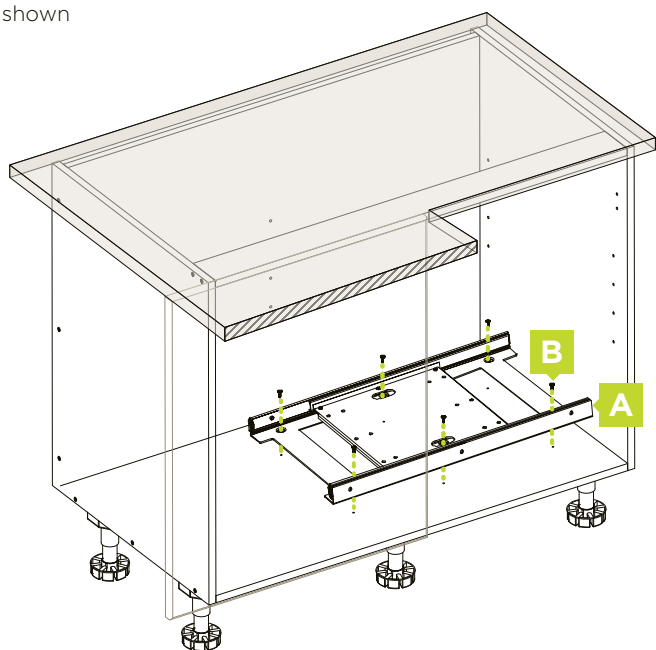
Mark out and pre-drill six holes on the bottom cabinet panel as per the diagram above. Use a 2mm drill bit to pre-drill holes to a depth of roughly 2.5mm.

**Note:** Minimum 450mm cabinet door required for pullout baskets to work properly.

### installing sliding track frame

#### 2.

left open shown

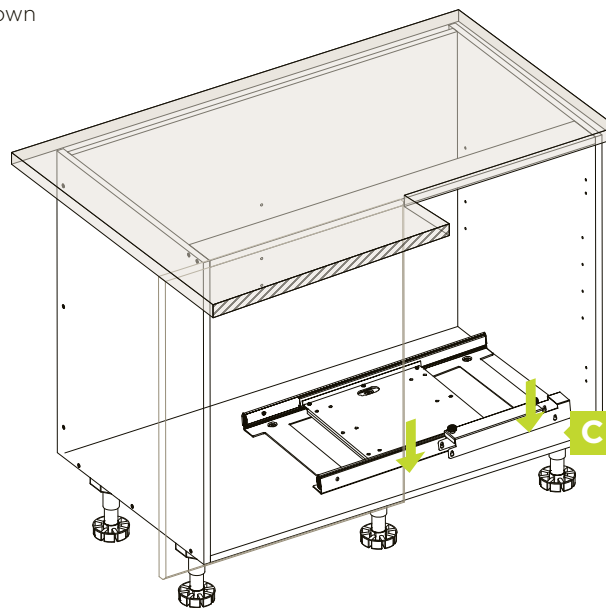


Align the sliding track frame (A) with the pre-drilled holes and using the 6mm wood screws (B), fix the sliding track to the bottom of the cabinet.

### installing front support rail

#### 3.

left open shown



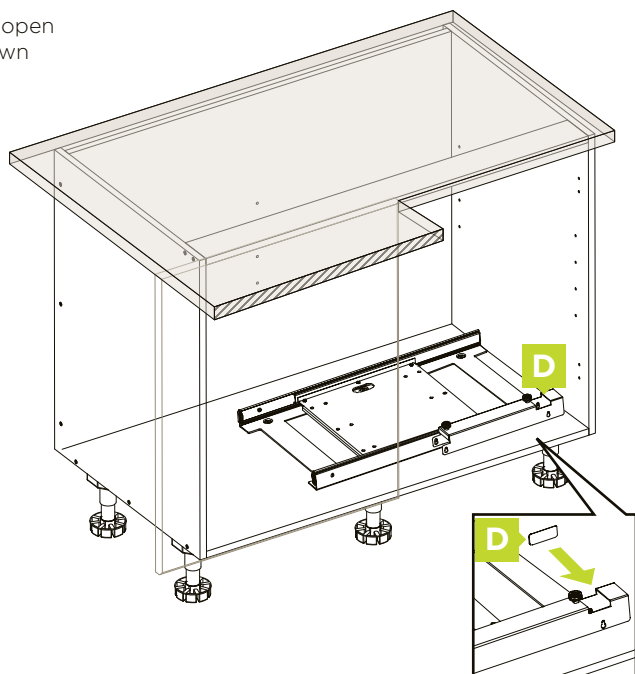
Loosen the 2 screws on the front of the sliding track frame so they are sitting 3mm out. Slide the holes in the front support rail (C) over the screws, ensuring the top cut out is closest to the cabinet side panel, as pictured above. Secure into place by tightening the screws.

<b>D</b> 	<b>E</b> 	<b>F</b> 	<b>G</b> 	<b>H</b> 
adhesive buffer	basket frame	16mm hex screws	front roller wheels	hex nuts

## installing adhesive buffer

4.

left open shown



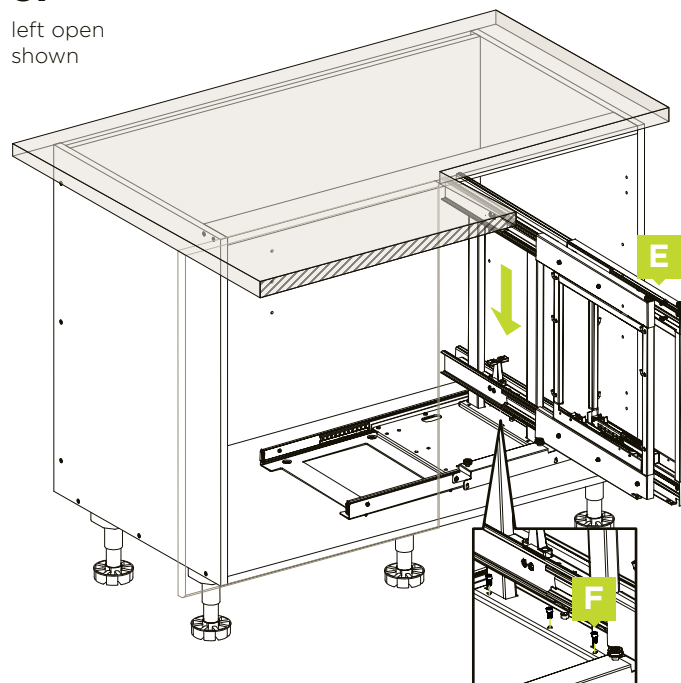
Stick the adhesive buffer (D) onto the back of the front support rail just below the top cut out, as pictured above. This will absorb the impact of the rear roller when opening.

## blind corner pullout baskets

## installing basket frame

5.

left open shown

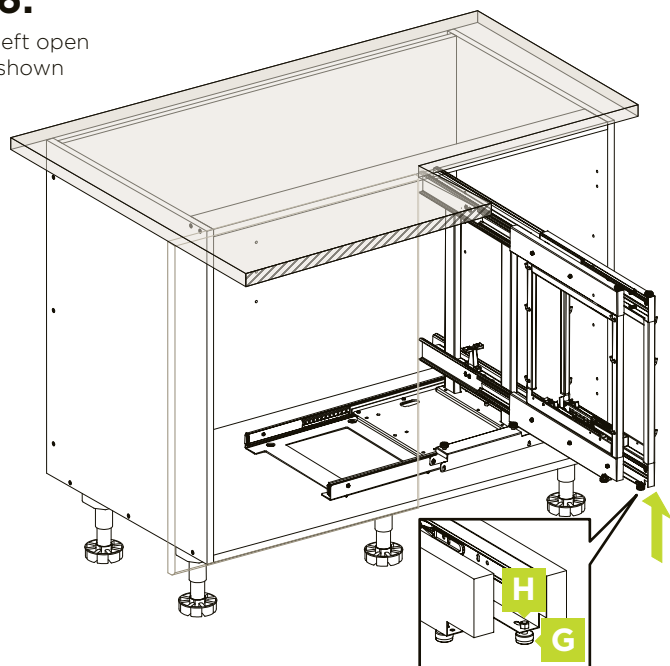


Move the sliding track frame closer to the cabinet side panel. Screw the basket frame (E) securely onto the sliding track frame using the hex screws (F) and allen key provided.

## installing front roller wheels

6.

left open shown

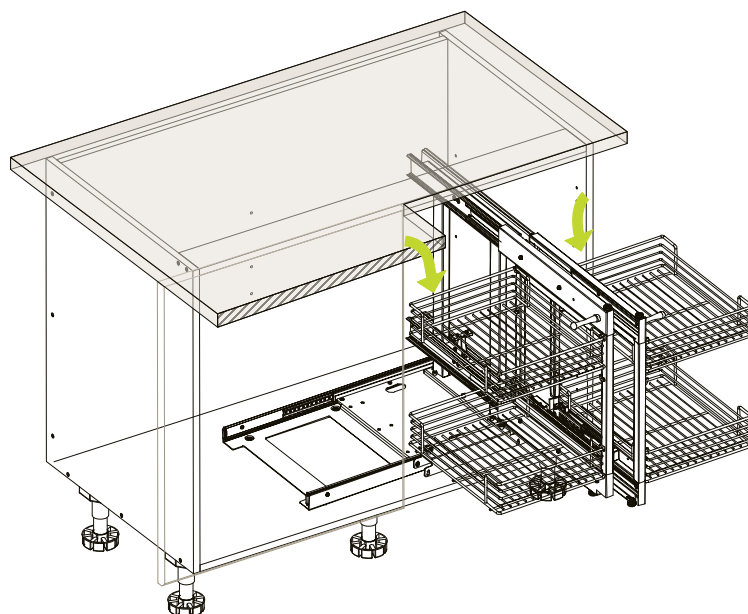


Attach the front roller wheels (G) to the bottom of the basket frame using the hex nuts (H) provided. Use the front round hole for the roller on the right side of the frame. Use the elongated hole for the roller on the left side of the frame. For right hand open, simply mirror the placement of the rollers.

## attaching handles and hanging baskets

7.

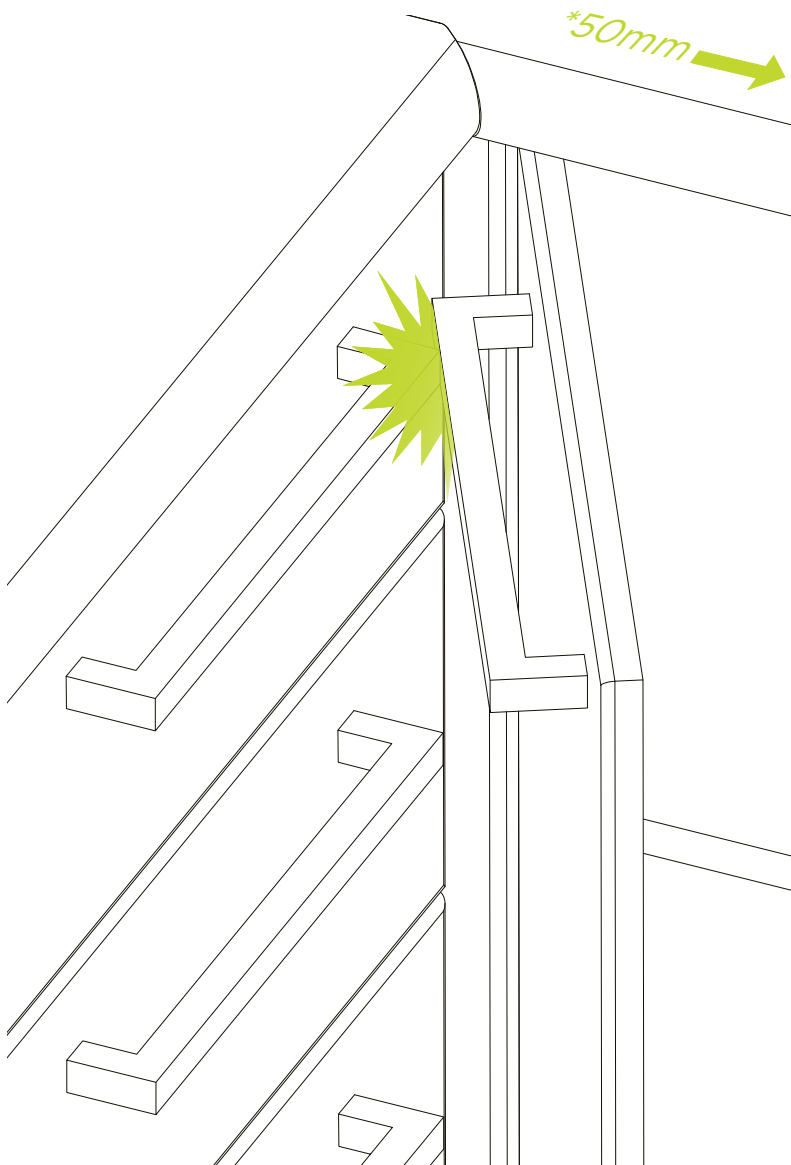
left open shown



Remove the screws from the handles, position the handles on the frame as pictured above and fix into place. Place the top rail of each wire basket onto the small hooks on the frame to complete installation.

## blind corner pullout baskets

### important information



**NOTE:** Some handles in certain configurations can collide with each other when doors are open, potentially causing the blind corner cabinet doors to not open wide enough to access the pantry.

Test your chosen handles before installing and if you find that this is the case you will need to either adjust the positions of the handles, choose different handles, or use push to open mechanisms without any handles.

Alternately you can move your entire blind corner cabinet away from the wall 50mm\* so that the blind corner panel sits out from the adjoining cabinet by 90mm rather than 40, leaving room for the handles to open. When the benchtop is installed you will not be able to see the gap between the cabinet and wall.

### Caring for your kaboodle cabinets

Looking after your cabinets is really easy and with the right care and maintenance they will last you for many years. Just follow these simple steps and if you need any more information you can contact us: Australia: **1800 666 078** Monday to Friday between 8:00am and 6:00pm AEST. New Zealand: **0800 522 663** Monday to Friday between 8:00am and 5:00pm NZST or email: [info@kaboodlegroup.com.au](mailto:info@kaboodlegroup.com.au).

**Caring for your kaboodle parts and accessories:** Looking after your parts and accessories is really easy and with the right care and maintenance they will last you for many years. Just follow these simple steps. Hinges, runners and other parts and accessories should be kept dry at all times. To keep the mechanisms performing at their best, regularly wipe them with a dry cloth removing any dust and grime that may build up. In case of spills, clean immediately with a dry cloth. Do not use harsh abrasives.

We offer a dedicated customer service line for advice or any questions you may have on kaboodle products.

Call customer service on:  
Australia: **1800 666 078** Monday to Friday between 8.00am and 6.00pm AEST

New Zealand: **0800 522 663** Monday to Friday between 8.00am and 5.00pm NZST or email: [info@kaboodlegroup.com.au](mailto:info@kaboodlegroup.com.au)

