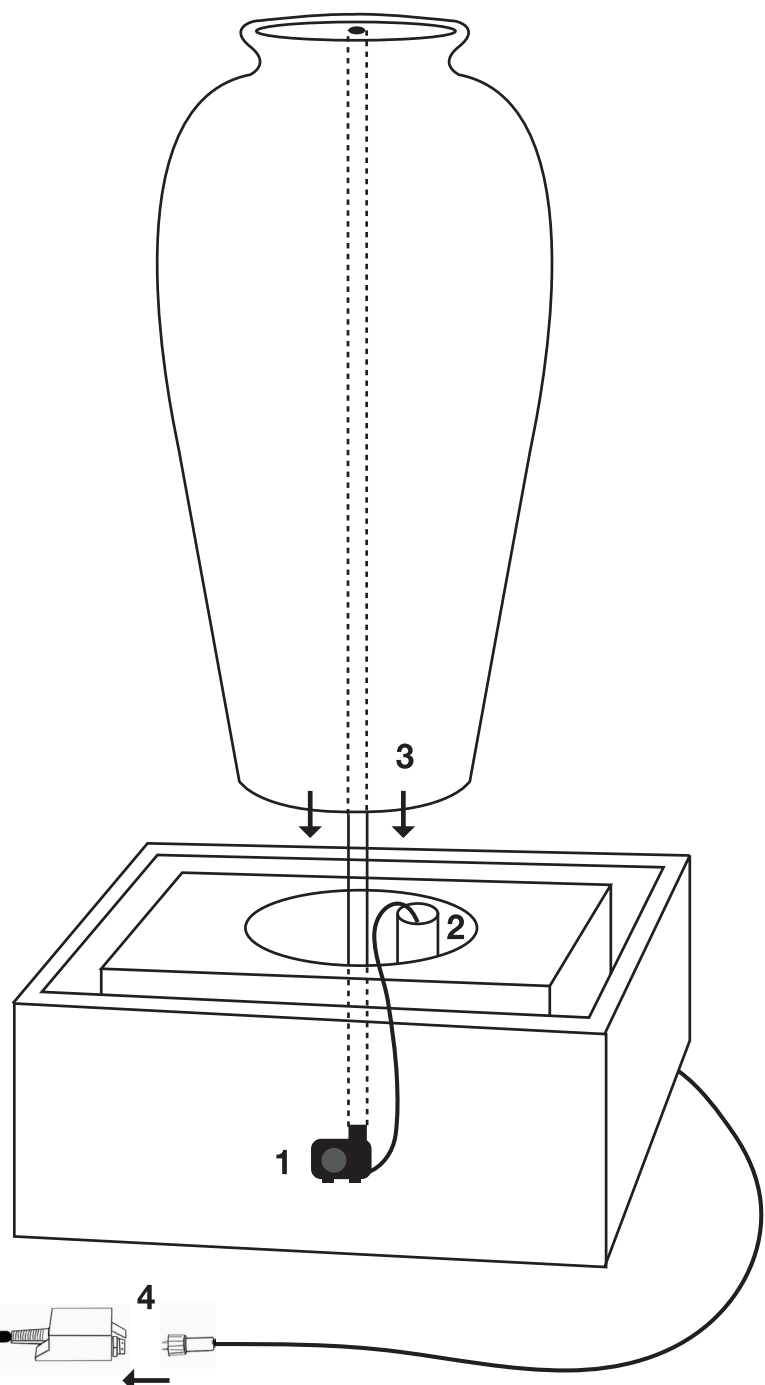


## Amphora Rib Fountain 2810147/48

Please read these assembly and care instructions carefully, and observe the safety directions. Keep these details in a safe place for future reference.

### ASSEMBLY

- » Assemble components as per the diagram. Be sure to assemble on a smooth, level surface.
- » Connect the tube inside the urn to the pump (1).
- » Feed the pump cable through the hole in the base so that it comes out underneath (2).
- » Sit the pump in the bottom of the base, and carefully lift the urn onto the base, and position it so it stands upright and centred (3).
- » Connect the pump cable to the transformer (4).
- » Fill the feature with sufficient water to fully submerge the pump (approximately  $\frac{3}{4}$  full).
- » Connect the plug to your power outlet.



### Need a hand?

Check out Melissa King's fountain assembly videos



Scan me with your Smart Phone!



*designed for lifestyle*

## IMPORTANT CARE NOTICE

- » Always ensure the pump is fully submersed.
- » Clean and top-up the water on a regular basis.
- » Always disconnect from power before cleaning and maintaining the pump.
- » If in doubt about any electrical connections, please consult a qualified electrician.
- » Never allow the pump to run dry, as this will cause damage and invalidate the warranty.

## WINTER CARE (WHEN USED OUTDOORS)

During winter, never allow ice to form in the fountain, as it may cause cracking. Drain the fountain and store indoors.

To clean the pump, first disconnect it from the power supply and remove it from the water feature, then:

- a) Remove the inlet cover from the front of the pump, and gently grip the impeller to pull out the rotor assembly.
- b) Clean the rotor and rotor housing with water, then dry with paper towel.
- c) Reassemble the parts and store the pump in a dry area.

## TROUBLESHOOTING

1. If the pump fails to operate, check the following:

- a) Check that power is correctly connected, and that there is sufficient water in the reservoir.
- b) Check the pump and tubing for any obstructions.
- c) Remove the cover with the flow adjuster on it, and gently lever off the inner cover to reveal the pump impeller. Gently turn the rotor to check that it is not broken or jammed.

2. If the pump runs with slower water circulation, check the following:

- a) The flow control on the body of the pump.
- b) Ensure the pump is completely submersed.

3. If any abnormal sound is heard during pump operation, turn off the power supply and check the rotor assembly as follows:

- a) Remove the pump cover and rotor plate from the front.
- b) Grip the impeller and gently take out the rotor assembly.
- c) Rinse the rotor assembly and housing with clean water in order to remove any debris.
- d) If any breakage or surface damage is found on the rotor assembly, please contact your supplier.

We hope you continue to enjoy your water feature for many years. Over time the paint finish will gradually mellow in colour, this is part of the natural weathering process.