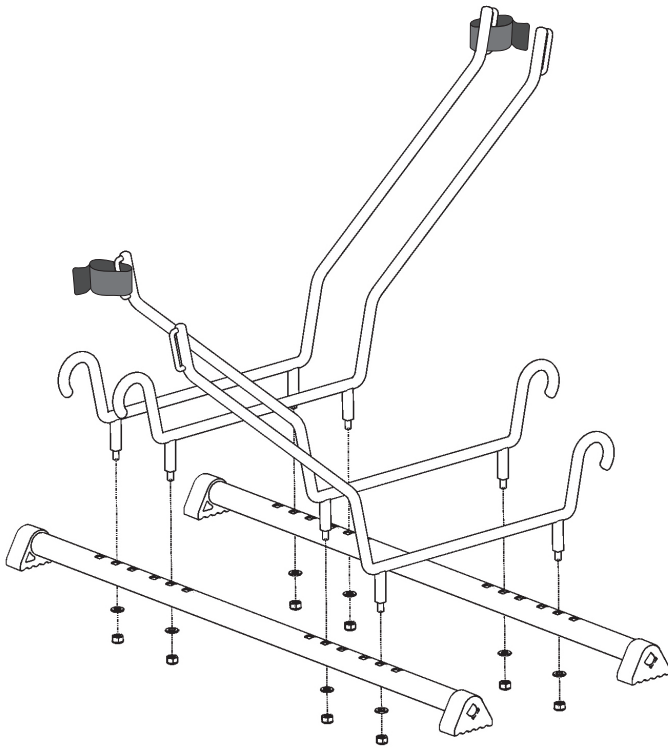


see <http://deltacycle.com/two-bike-floor-stand> for an assembly video

Select holes that correspond to width of bicycle tire.

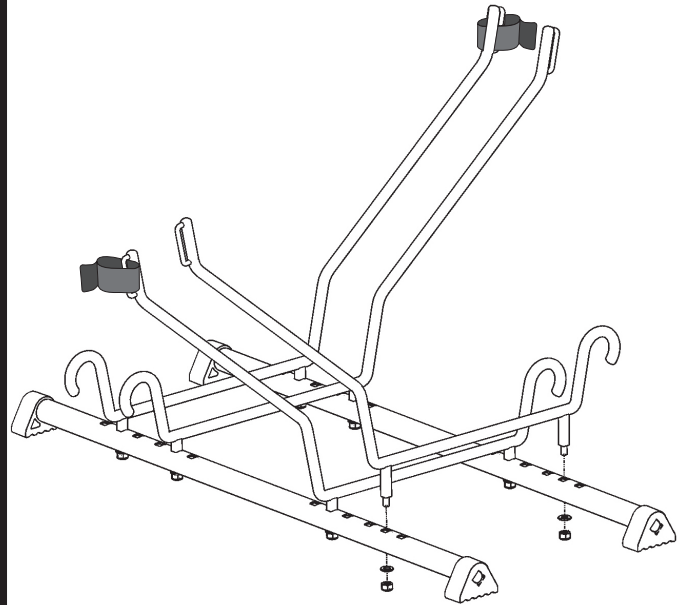
1



Use included wrench to tighten nuts.

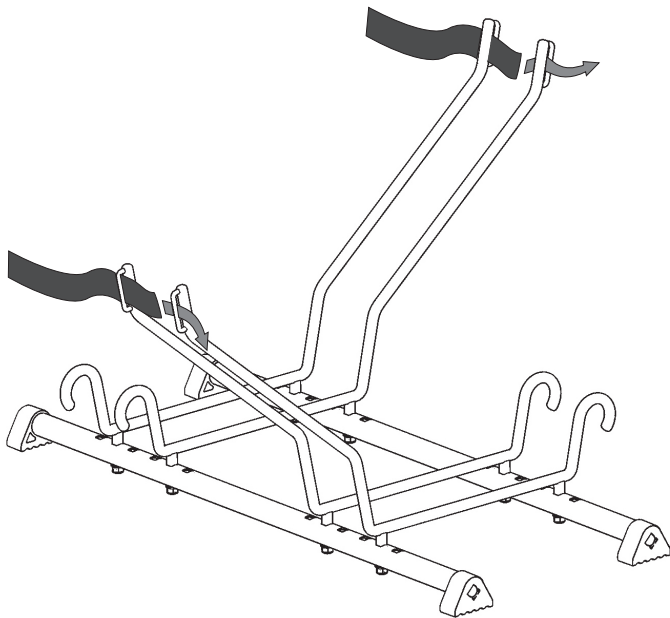
2

NOTE: Nuts may be stiff to tighten.



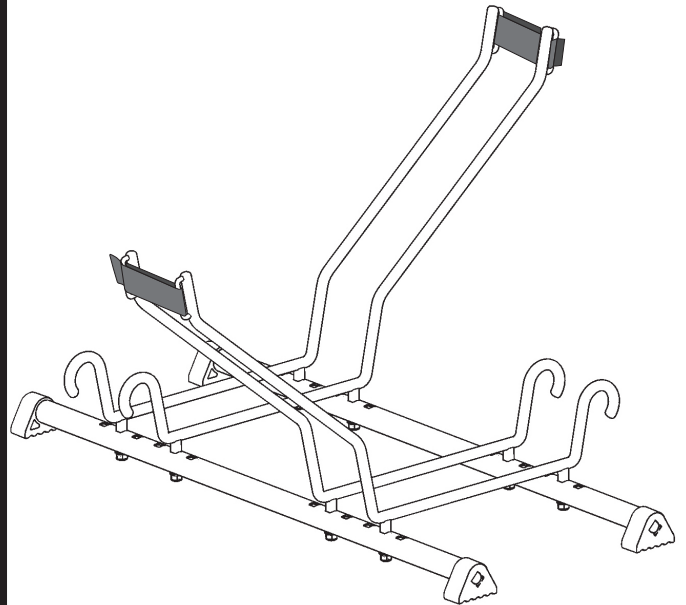
Secure arms at correct width using velcro strap.

3



Once fully assembled, minor twisting by hand may be required so rack is level with floor.

4



theartofstorage™

Delta Design Company
36 York Avenue
Randolph, MA 02368 USA
Phone: 800-474-6615

SEURAT RS8002
ASSEMBLY DIAGRAM

© Copyright 2008