

RYOBI®

**ORM1800
RCM1850**

ORIGINAL INSTRUCTIONS

Power Cylinder Mower



Important!

It is essential that you read the instructions in this manual before assembling, operating, and maintaining the product.

Subject to technical modification.

Safety, performance, and dependability have been given top priority in the design of your powered cylinder mower.

INTENDED USE

The powered cylinder mower is only intended for use outdoors.

The product is designed for domestic lawn mowing. Both wheels should touch the ground while mowing. It is a pedestrian-controlled walk-behind mower designed to be pushed by hand.

The product should never be operated with the wheels off the ground. It should not be ridden on. It should not be pulled while powered by the battery. It should not be used to cut anything other than domestic grass lawns.

Do not use the product for any other purpose.

GENERAL SAFETY RULES

⚠ WARNING

The product is capable of amputating hands and feet, and throwing objects. Failure to observe all safety instructions could result in serious injury.

⚠ WARNING

When using the product, the safety rules must be followed. For your own safety and that of bystanders, please read these instructions before operating the product. Please keep the instructions safe for later use.

⚠ WARNING

The product should only be operated with the battery pack. When using battery-operated products, basic safety precautions should always be followed to reduce the risk of fire, leaking batteries and personal injury.

TRAINING

- Read, understand, and follow all instructions on the product and in this manual before operating the product. Be thoroughly familiar with the controls and the proper use of the product. Know how to stop the product and disengage the controls quickly.
- This appliance is not intended for use by

persons (including children) with reduced physical, sensory or mental capabilities, or lack of experience and knowledge, unless they have been given supervision or instruction concerning use of the appliance by a person responsible for their safety. Children should be supervised to ensure that they do not play with the appliance.

- Keep bystanders, children and pets 15 m away from the area of operation. Stop the product if anyone enters the area.
- Keep in mind that the operator or user is responsible for accidents or hazards occurring to other people or their property.

PREPARATION

- While operating the product, always wear adequate winter garments and non-skid safety footwear. Avoid wearing clothing that is loose fitting or that has hanging cords or ties; they can be caught in moving parts.
- Thoroughly inspect the area where the product is to be used and remove all doormats, sleds, boards, wires, and other foreign objects.
- Blades coming in contact with a “live” wire may make exposed metal parts of the product “live” and could give the operator an electric shock.
- Before use, always visually inspect to ensure blades, blade bolts, and cutter assembly are not worn or damaged. Replace worn or damaged blades and bolts in sets to preserve balance. Bring the product to an authorised service centre to replace damaged or unreadable labels.
- Always wear safety glasses or eye shields during operation or while performing an adjustment or repair to protect eyes from foreign objects that may be thrown from the product.
- Never attempt to make any adjustments while the product is running.
- Secure long hair so it is above shoulder level to prevent entanglement in moving parts.
- Ensure before each use that all controls and safety devices function correctly. Do not use the product if the “off” switch does not stop the product.

BATTERY TOOLS USE AND CARE

- Recharge only with the charger specified by the manufacturer. A charger that is suitable for one type of battery pack may create a risk of fire when used with another battery pack.
- Use power tools only with specifically designated battery packs. Use of any other battery packs may create a risk of injury and fire.
- When battery pack is not in use, keep it away from other metal objects, like paper clips, coins, keys, nails, screws or other small metal objects, that can make a connection from one terminal to another. Shorting the battery terminals together may cause burns or a fire.
- Under abusive conditions, liquid may be ejected from the battery; avoid contact. If contact accidentally occurs, flush with water. If liquid contacts eyes, additionally seek medical help. Liquid ejected from the battery may cause irritation or burns.
- Do not use a battery pack or tool that is damaged or modified. Damaged or modified batteries may exhibit unpredictable behaviour resulting in fire, explosion or risk of injury.
- Do not expose a battery pack or tool to fire or excessive temperature. Exposure to fire or temperature above 130°C may cause explosion.
- Follow all charging instructions and do not charge the battery pack or tool outside the temperature range specified in the instructions. Charging improperly or at temperatures outside the specified range may damage the battery and increase the risk of fire.

CYLINDER MOWER SAFETY WARNINGS

- Always use the product in the daylight or with good artificial light.
 - Do not operate the product on wet grass or in the rain.
 - Always be sure of your footing, and keep a firm hold on the handles. Walk; never run.
 - Mow across the face of slopes, never up and down.
 - Exercise extreme caution when changing direction on slopes.
- Do not use the product near drop-offs, ditches, excessively steep slopes, or embankments. Poor footing could cause a slip-and-fall accident.
 - Use caution when reversing or pulling the product towards you.
 - Turn off the product and allow the blade to stop if the product has to be tilted for transportation when crossing surfaces other than grass, and when transporting the product to and from the work area.
 - Never use the product with defective guards or shields, or without safety devices, for example, deflectors and/ or grass collectors, in place.
 - Turn on the product carefully according to instructions and keep hands and feet away from blades. Do not put hands or feet near or under rotating parts.
 - Do not turn on the product when standing in front of the discharge opening.
 - Do not put hands or feet near or under rotating parts. Keep clear of the discharge opening at all times. Do not put any objects into openings.
 - Do not transport the product while the power source is running.
 - To reduce the risk of injury associated with contacting rotating parts, always turn off the product and remove the battery pack. Make sure all moving parts have come to a complete stop:
 - whenever leaving the product unattended (including disposal of grass clippings)
 - before clearing blockages or unclogging discharge chute
 - before checking, cleaning, or working on the product
 - before removing the grass catcher or opening the grass discharge chute cover
 - after striking a foreign object; inspect the product for damage and make repairs as necessary before restarting and operating the product
 - If the product starts to vibrate abnormally (check immediately)
 - inspect for damage, particularly the blades
 - replace or repair any damaged parts
 - check for and tighten any loose parts

- Remove the safety key and keep it key away from children when leaving the product unattended.
- Remove the safety key when maintaining or transporting the product.

⚠ WARNING

If the product is dropped, suffers heavy impact or begins to vibrate abnormally, immediately stop the product and inspect for damage or identify the cause of the vibration. Any damage should be properly repaired or replaced by an authorised service centre.

ADDITIONAL BATTERY SAFETY WARNINGS

⚠ WARNING

To reduce the risk of fire, personal injury, and product damage due to a short circuit, never immerse your tool, battery pack or charger in fluid or allow a fluid to flow inside them. Corrosive or conductive fluids, such as seawater, certain industrial chemicals, and bleach or bleach-containing products, etc., can cause a short circuit.

TRANSPORTATION AND STORAGE

- Turn off the product and remove the battery pack. Allow the product to cool down before storing or transporting.
- Clean all foreign material from the product. Store it in a cool dry and well-ventilated place that is inaccessible to children. Keep away from corrosive agents such as garden chemicals and de-icing salts. Do not store outdoors.
- For transportation, secure the product against movement or falling to prevent injury to persons or damage to the product.

TRANSPORTING LITHIUM BATTERIES

Transport the battery in accordance with local and national provisions and regulations.

Follow all special requirements on packaging and labelling when transporting batteries by a third party. Ensure that no batteries can come

in contact with other batteries or conductive materials while in transport by protecting exposed connectors with insulating, non-conductive caps or tape. Do not transport batteries that are cracked or leaking. Check with the forwarding company for further advice.

MAINTENANCE

⚠ WARNING

Use only original manufacturer's replacement parts, accessories and attachments. Failure to do so can cause possible injury, can contribute to poor performance, and may void your warranty.

⚠ WARNING

Servicing requires extreme care and knowledge and should be performed only by a qualified service technician. For servicing and repairs, have the product serviced by an authorised service centre only. When servicing, use only original replacement parts.

- You may make adjustments and repairs described in this manual. For other repairs, have the product serviced by an authorised service centre only.
- After each use, clean the product with a soft, dry cloth.
- Check all nuts, bolts and screws at frequent intervals for proper tightness to ensure the product is in safe working condition. Any part that is damaged should be properly repaired or replaced by an authorised service centre.
- Bring the product to an authorised service centre to replace damaged or unreadable labels.
- Check the grass catcher frequently for wear or deterioration.
- Be careful during adjustment of the product to prevent entrapment of the fingers between moving blades and fixed parts of the product.
- When cleaning, repairing, or inspecting the product, make sure all moving parts have come to a complete stop. Remove

the battery pack to prevent someone from accidentally starting the product.

RESIDUAL RISKS

Even when the product is used as prescribed, it is still impossible to completely eliminate certain residual risk factors. The following hazards may arise during use, and the operator should pay special attention to avoid the following:

- injury caused by vibration
 - Always use the right tool for the job. Use designated handles and restrict working time and exposure.
- injury caused by noise
 - Exposure to noise can cause hearing injury. Wear ear protection and limit exposure.
- injury from contact with the blades
- injury caused by thrown objects

RISK REDUCTION

It has been reported that vibrations from handheld tools may contribute to a condition called Raynaud's Syndrome. Symptoms may include tingling, numbness and blanching of the fingers, usually apparent upon exposure to cold. Hereditary factors, exposure to cold and dampness, diet, smoking and work practices are all thought to contribute to the development of these symptoms. There are measures that can be taken by the operator to possibly reduce the effects of vibration:

- Keep your body warm in cold weather. When operating the product, wear gloves to keep the hands and wrists warm. It is reported that cold weather is a major factor contributing to Raynaud's Syndrome.
- After each period of operation, exercise to increase blood circulation.
- Take frequent work breaks. Limit the amount of exposure per day.

If you experience any of the symptoms of this condition, immediately discontinue use and see your physician.

⚠ WARNING

Injuries may be caused, or aggravated, by prolonged use of a tool. When using any tool for prolonged periods, ensure you take regular breaks.

WHAT'S IN THE BOX

See pages 6 - 7

- Reel mower x 1
- Grass catcher bag x 1
- Allen key x 1
- Grass catcher frame x 1
- Operator's manual x 1
- Lower handle x 1
- Middle tubes x 1
- Suspension strap x 1
- Handle fasteners x 4
- Battery pack x 1
- Charger x 1

NOTE: For ORM1800, the battery pack and charger are sold separately.

SYMBOLS ON THE PRODUCT



Read and understand all instructions before operating the product, follow all warnings and safety instructions.



Beware of thrown or flying objects. Keep all bystanders, especially children and pets, at least 15 m away from the operating area.



Beware of sharp blades. Blades continue to rotate after the motor is switched off – Remove isolator key before maintenance.



Wear ear protection.



Wear eye protection.



Do not operate on inclines greater than 15°. Mow across the face of slopes, never up and down.



Do not expose to rain or damp condition.



Waste electrical products should not be disposed of with household waste. Please recycle where facilities exist. Check with your local authority or retailer for recycling advice.



Regulatory Compliance Mark (RCM). Product meets applicable regulatory requirements.



The guaranteed sound pressure level is 71 dB. The guaranteed sound power level is 89 dB.



Press and hold the start button.



Squeeze and hold either on-off trigger A or B.



Press the start button while squeezing either on-off trigger A or B.

moderate injury.

CAUTION

Without safety alert symbol
Indicates a situation that may result in property damage.

SYMBOLS IN THIS MANUAL



Parts or accessories sold separately



Note



Warning



Lock



Unlock

The following signal words and meanings are intended to explain the levels of risk associated with the product:

The following signal words and meanings are intended to explain the levels of risk associated with the product.

⚠ DANGER

Indicates an imminently hazardous situation, which, if not avoided, will result in death or serious injury.

⚠ WARNING

Indicates a potentially hazardous situation, which, if not avoided, could result in death or serious injury.

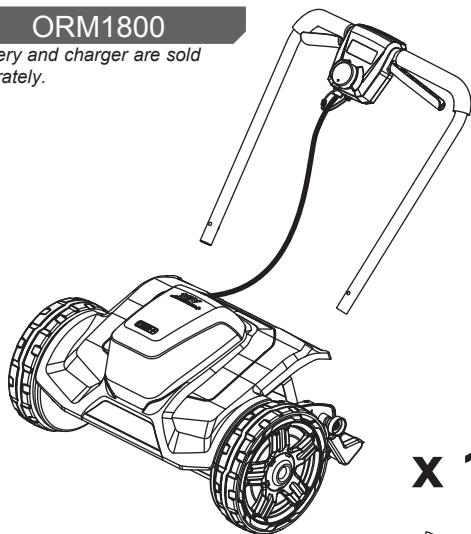
⚠ CAUTION

Indicates a potentially hazardous situation, which, if not avoided, may result in minor or

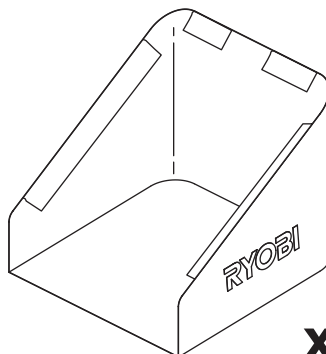
WHAT'S IN THE BOX

ORM1800

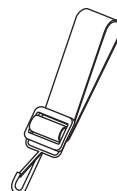
*Battery and charger are sold separately.



x 1



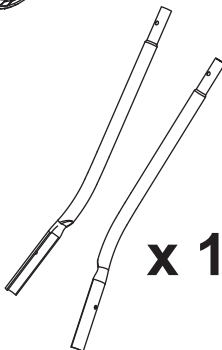
x 1



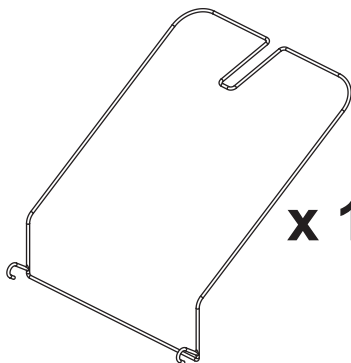
x 1



x 1



x 1



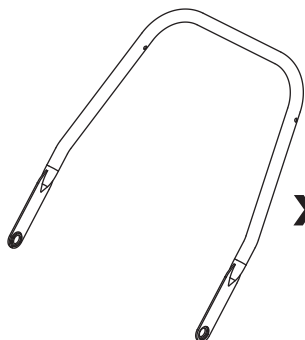
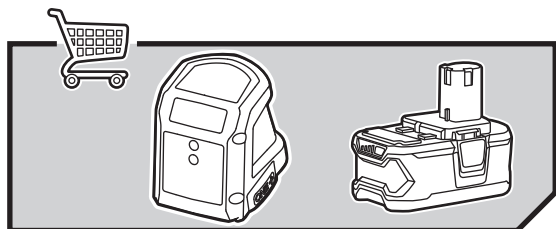
x 1



x 1



x 4

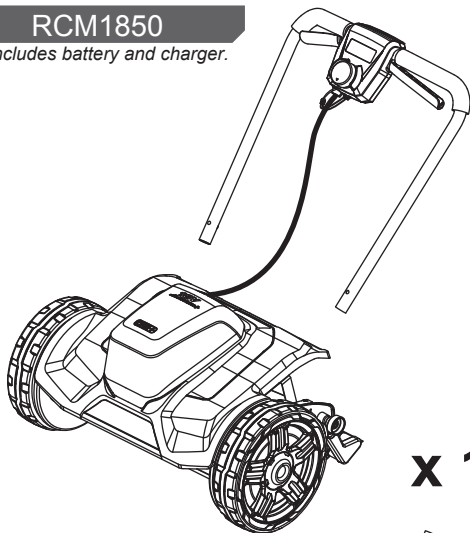


x 1

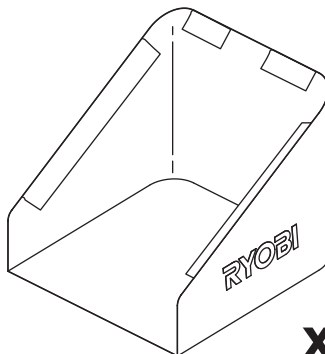
WHAT'S IN THE BOX

RCM1850

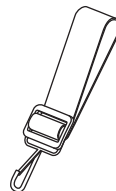
**Kit includes battery and charger.*



x 1



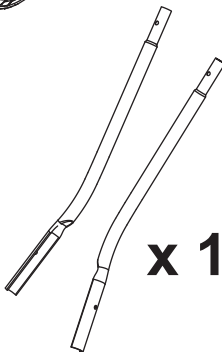
x 1



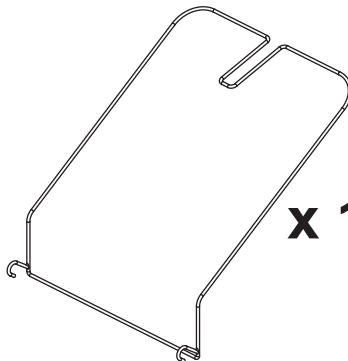
x 1



x 1



x 1



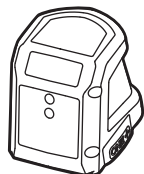
x 1



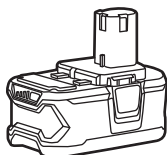
x 1



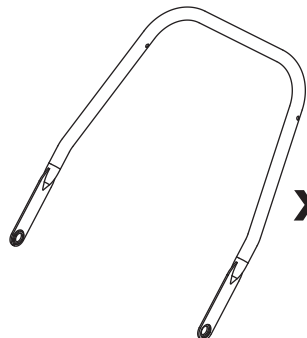
x 4



x 1



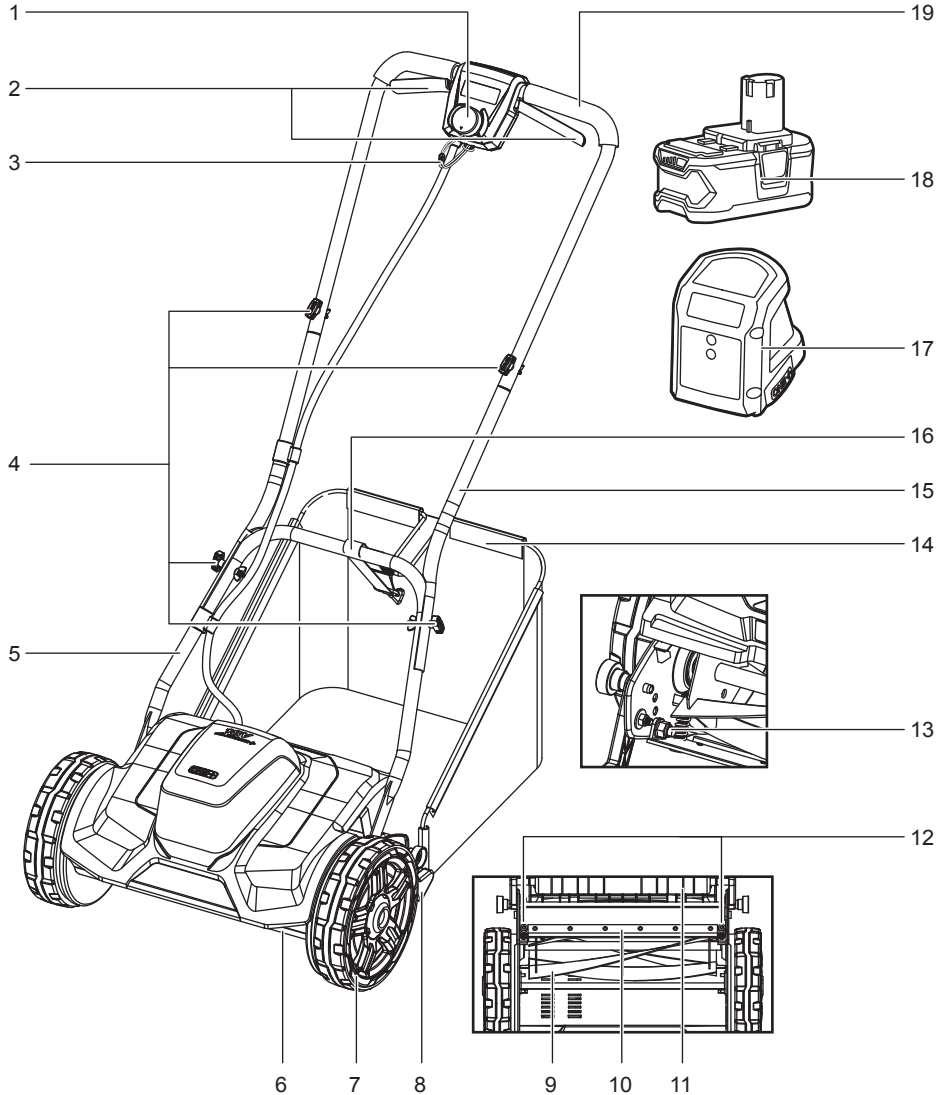
x 1



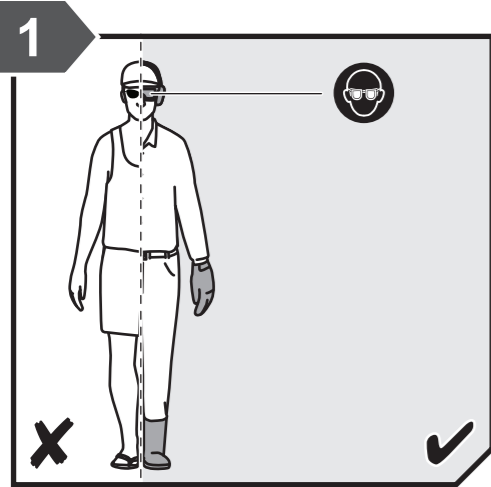
x 1

KNOW YOUR PRODUCT

- | | | |
|----------------------------|-------------------------------|----------------------|
| 1. Start button/safety key | 8. Spring-loaded fastener | 15. Middle tube |
| 2. On-off trigger | 9. Reel blades | 16. Suspension strap |
| 3. Safety key with lanyard | 10. Bottom blade | 17. Charger |
| 4. Handle fasteners | 11. Roller | 18. Battery pack |
| 5. Lower handle | 12. Adjustment bolts | 19. Upper handle |
| 6. Motor vents | 13. Bottom blade bolt and nut | |
| 7. Wheel | 14. Grass catcher | |

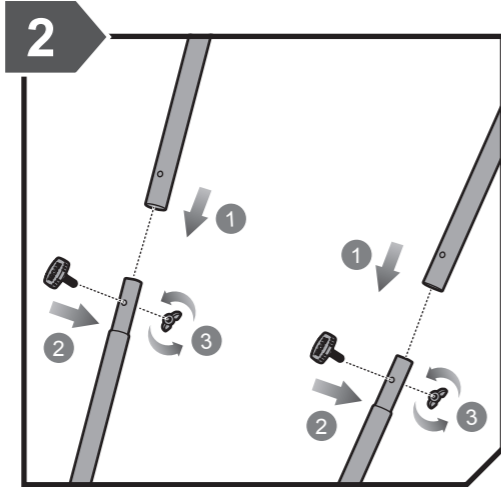


GETTING STARTED



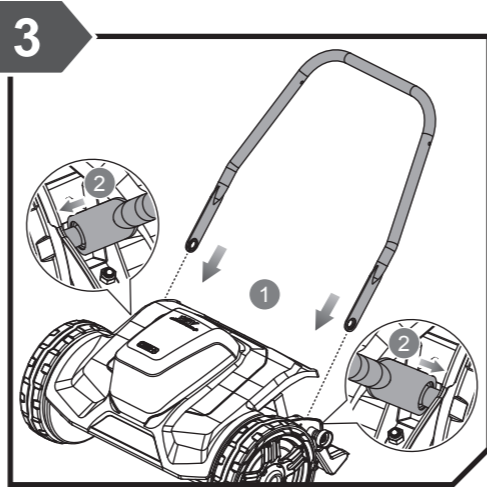
Personal protective equipment (PPE)

Good quality personal protective equipment, as used by professionals, will help reduce the risk of injury to the operator.

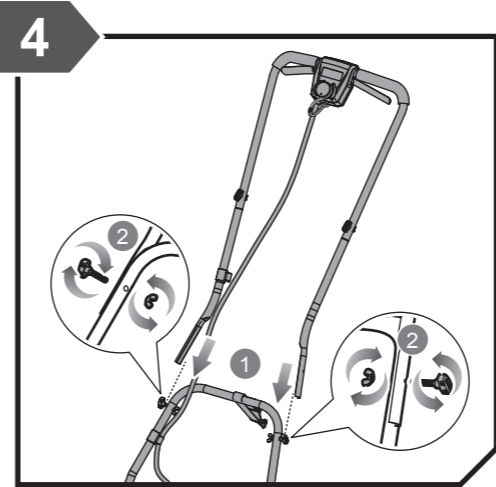


1. Insert the top handle onto the middle tubes.
2. Align the holes and insert the handle fasteners.
3. Partially tighten the wing nuts on the back of handle fasteners to allow some slight flex in the handle assembly.

GETTING STARTED

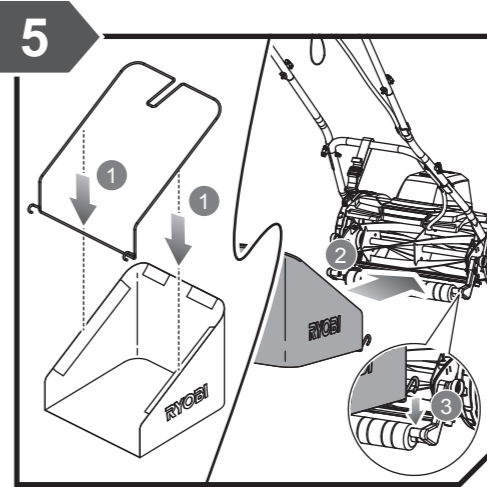


Attach the lower handles to the mower housing by squeezing them together slightly to allow the handles to be aligned onto the location knobs.

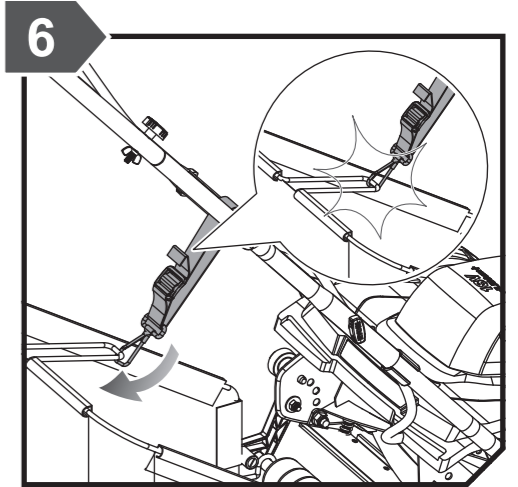


Attach the upper handle assembly to the lower handles with the handle fasteners. Fully tighten all handle fasteners.

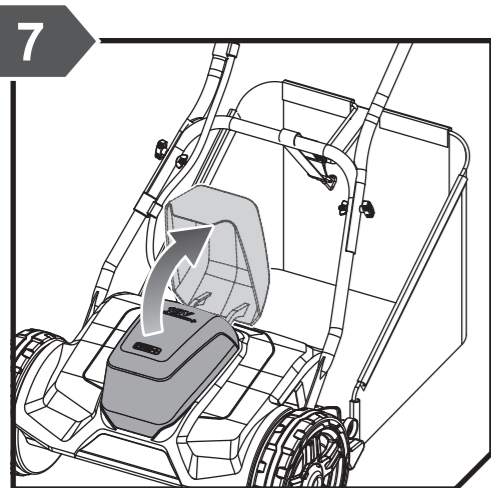
GETTING STARTED



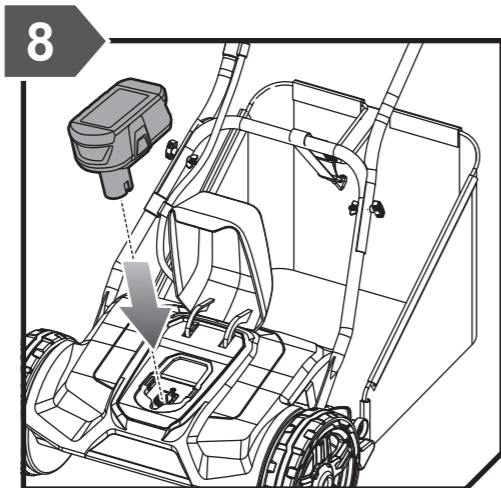
1. Insert the grass catcher frame to the grass catcher bag.
2. Align the bottom hooks of the grass catcher on either side of the roller bar.
3. Hook the grass catcher onto either side of the roller bar.



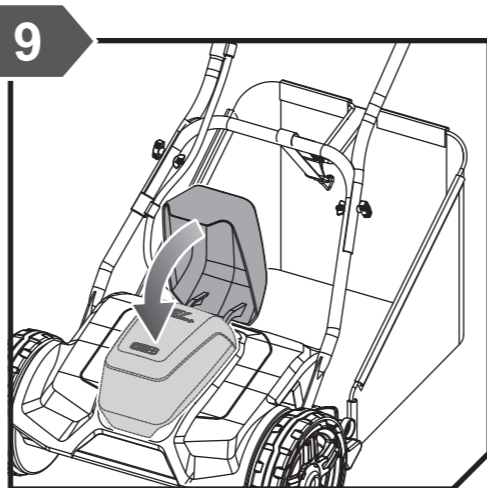
Clip the suspension strap onto the grass catcher.



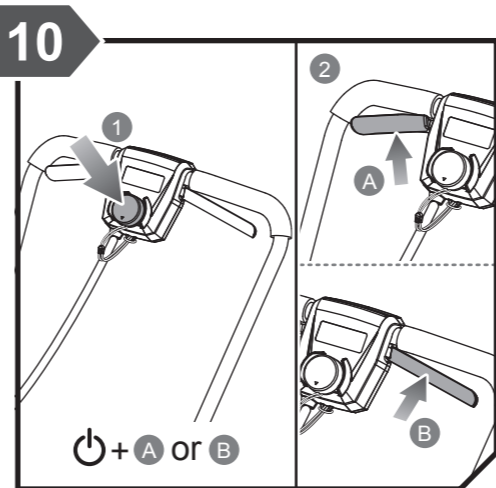
Open the battery cover.



Insert the battery pack, ensuring that both of the clips on the battery snap into place. Ensure the battery is securely connected to the product.

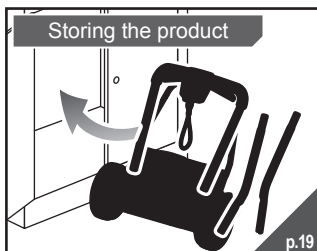
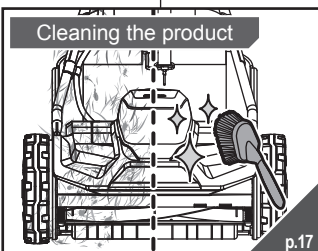
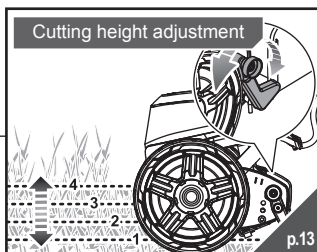
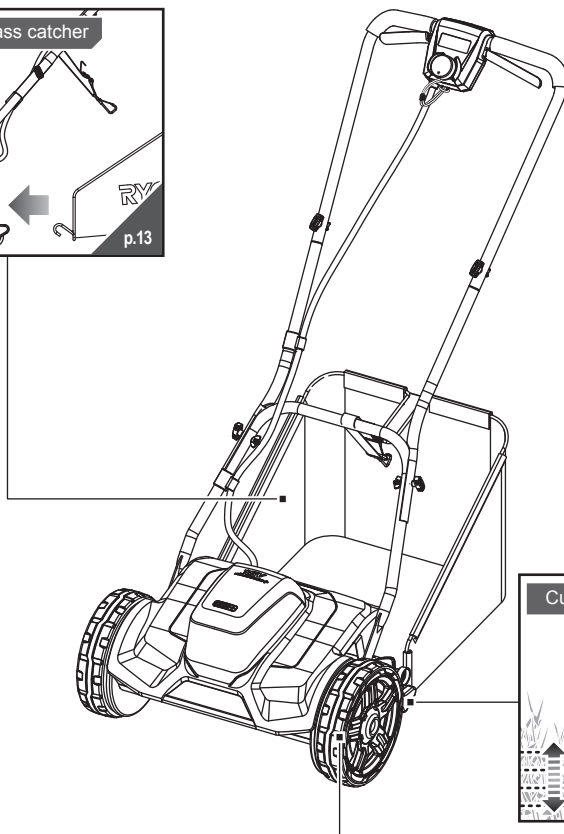
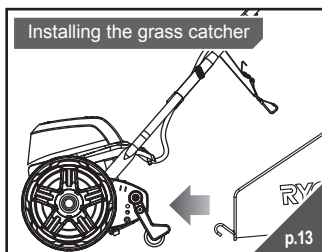
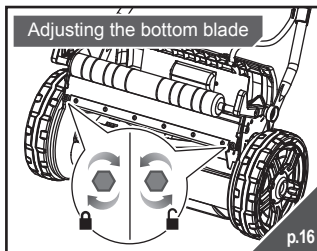
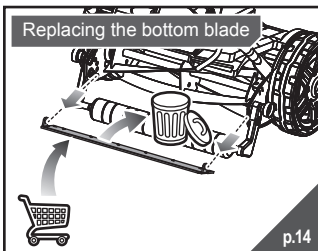


Close the battery cover.



To begin operation, press the **start button** while squeezing either on-off trigger A or B. To stop operation, simply release on-off trigger A or B.

OVERVIEW



OPERATION



SAFETY AND BEST PRACTICES

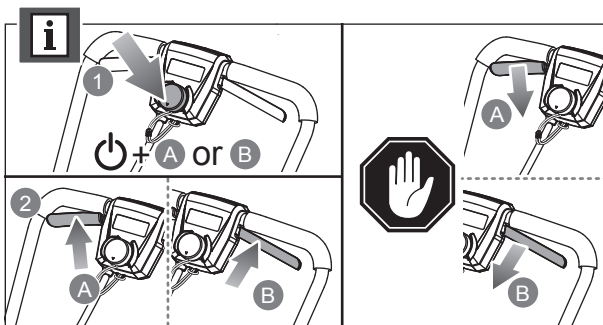
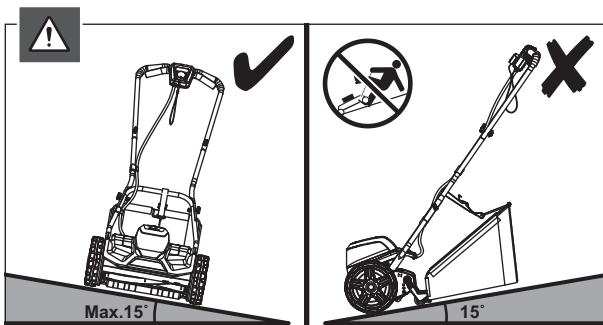
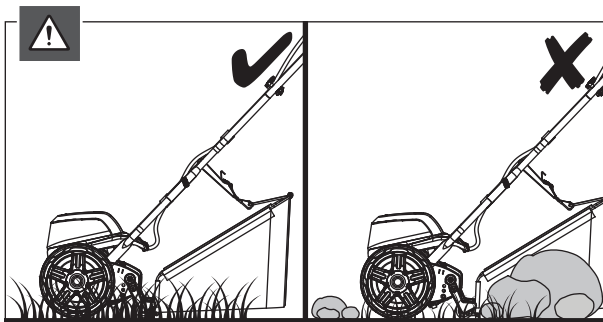
WARNING: Avoid holes, ruts, bumps, rocks, property stakes, or other hidden objects. Uneven terrain could cause a slip-and-fall accident.

NOTE: Clear the lawn of debris before mowing. Debris can get jammed in between the blades. Debris can also dull or damage the blades.

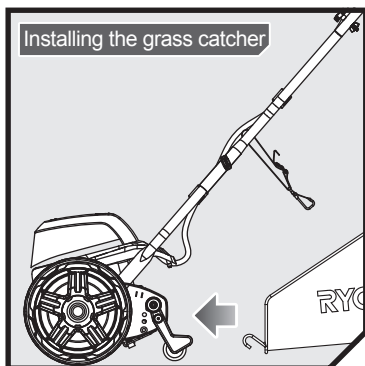
NOTE: To begin operation, press the start button while squeezing either on-off trigger A or B. To stop operation, simply release on-off trigger A or B.

NOTE: The product can be operated without a battery. Push the product forward to manually operate the reel blades.

NOTE: Ensure the roller is on the ground during operation.

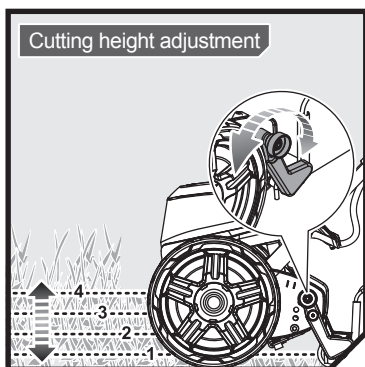
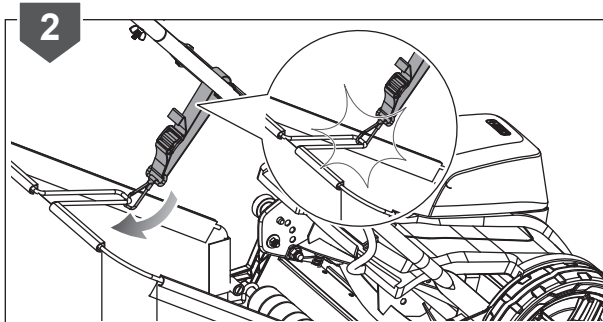
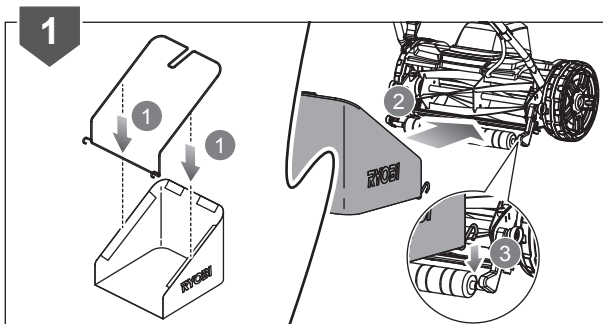


OPERATION



INSTALLING THE GRASS CATCHER

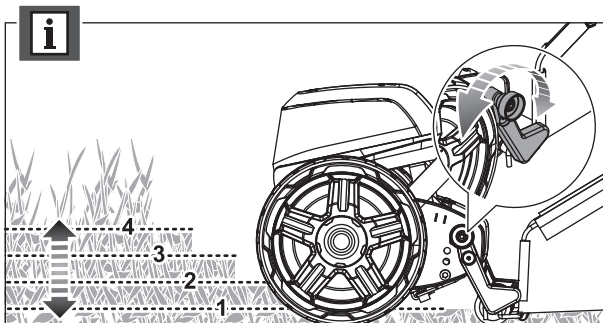
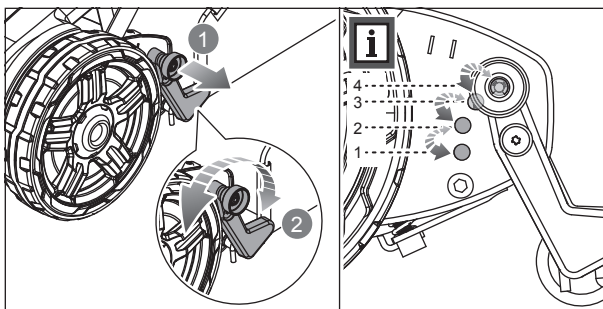
1. Insert the grass catcher frame to the grass catcher bag. Align the bottom hooks of the grass catcher on either side of the roller bar. Hook the grass catcher onto either side of the roller bar.
2. Install the suspension strap.
NOTE: Adjust the suspension strap to ensure that the grass catcher is lifted off the ground.

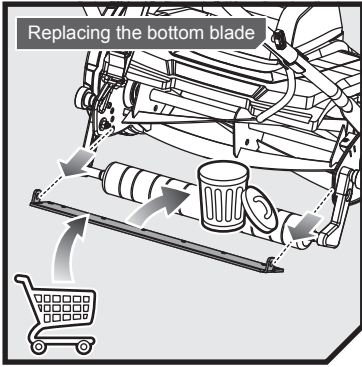


CUTTING HEIGHT ADJUSTMENT

NOTE: To adjust the cutting height, pull the spring-loaded fastener and then raise or lower to the preferred cutting height. Ensure the spring-loaded fasteners on both sides are securely locked on the same cutting height slots.

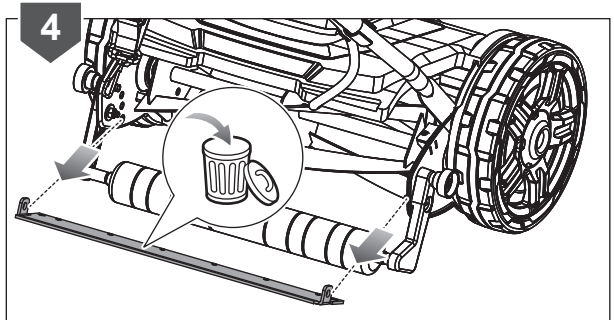
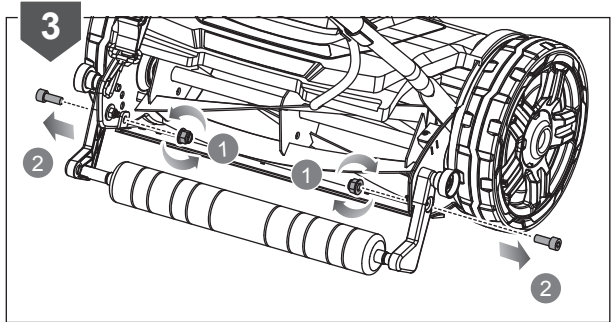
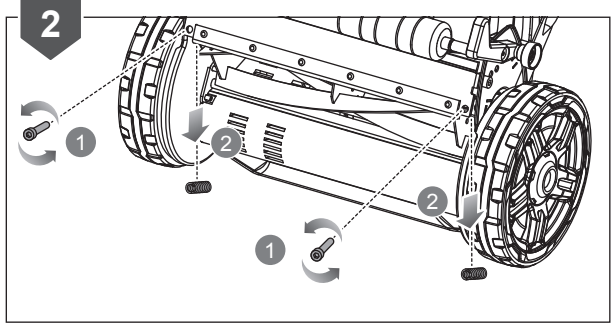
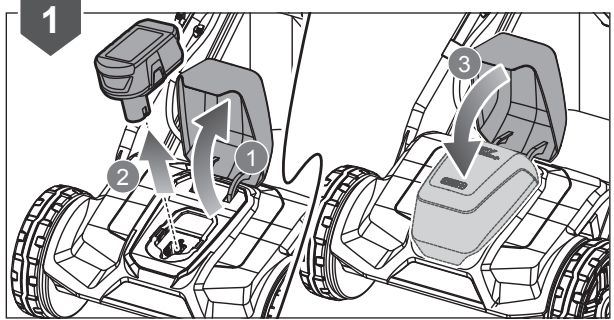
WARNING: The spring-loaded fasteners must always be set to the same height on both sides.





REPLACING THE BOTTOM BLADE

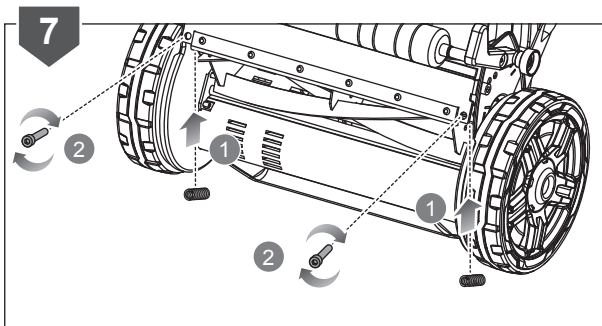
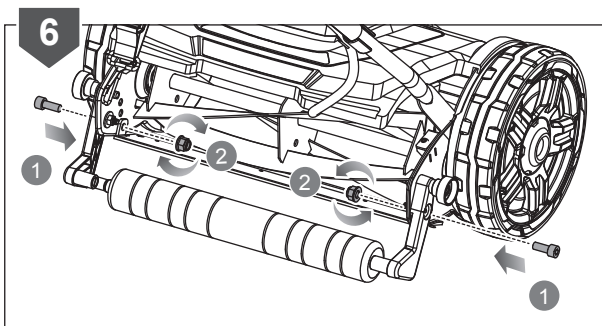
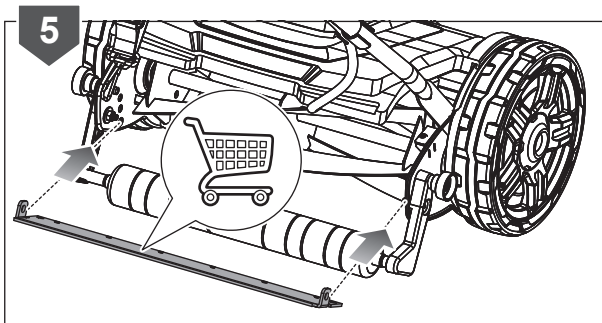
1. Open the battery cover and remove the battery pack. Close the battery cover.
2. Remove the adjustment bolts. Remove the 2 adjustment springs. **NOTE:** Keep hands clear of the blades.
3. Remove the bolts and nuts securing the bottom blade. Remove bottom blade.
4. Dispose of the bottom blade assembly correctly.

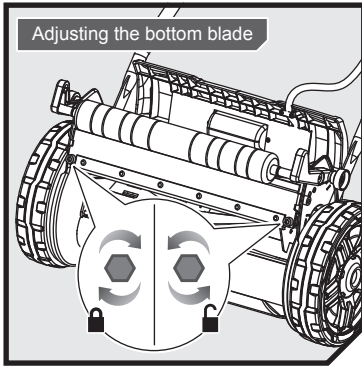


MAINTENANCE

5. Install the new bottom blade assembly.
6. Secure the bottom blade assembly with the bolts and nuts.
7. Install the adjustment springs using the adjustment bolts.

NOTE: Adjust the bolts to ensure the reel blade can rotate freely.





ADJUSTING THE BOTTOM BLADE

1. Rotate the adjustment bolts clockwise using an Allen key to decrease the gap between the bottom blade and the reel blades. Rotate adjustment bolts counter-clockwise to increase the gap.

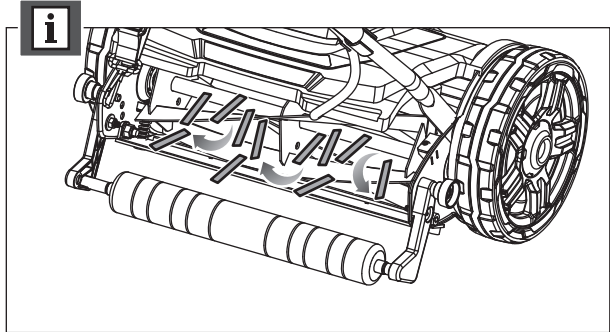
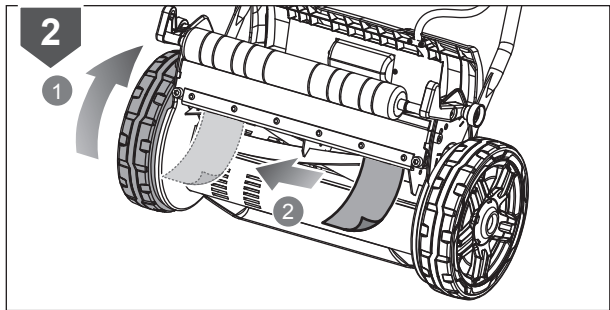
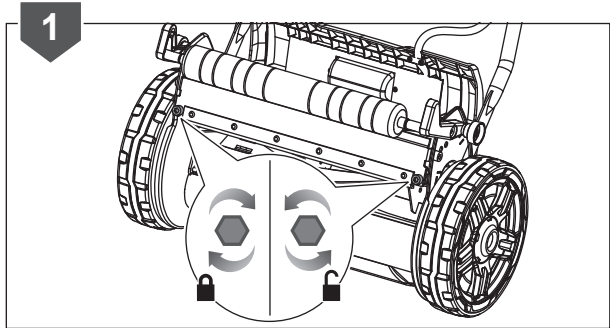
NOTE: Ensure the bottom blade does not come in contact with the reel blades.

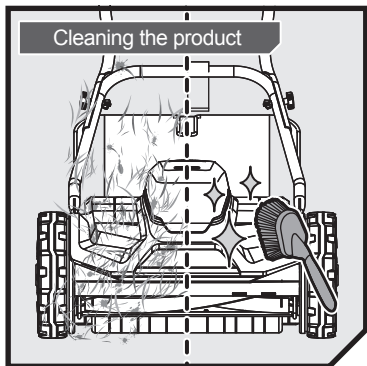
2. Manually rotate the wheel forward direction to engage the reel blades. Feed a piece of paper from edge to edge to check the entire bottom blade assembly.

NOTE: Use a piece of paper with a thickness of 0.1 - 0.3 mm to check if the new blade is properly installed.

NOTE: For optimal performance, check the sharpness of the blades before and after each use by feeding a piece of paper between the reel blades and bottom blade. The paper should be cleanly sliced between the reel blades and bottom blade. Adjust the bolts if necessary.

WARNING: If the reel blades strike a foreign object and become damaged, this may also damage the bottom blade. The gap between the reel blades and the bottom blade may increase, which will affect the cutting performance of the product. The damaged reel blades should be properly repaired or replaced by an authorised service centre.





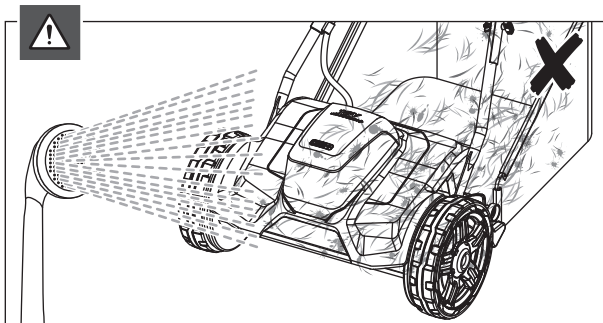
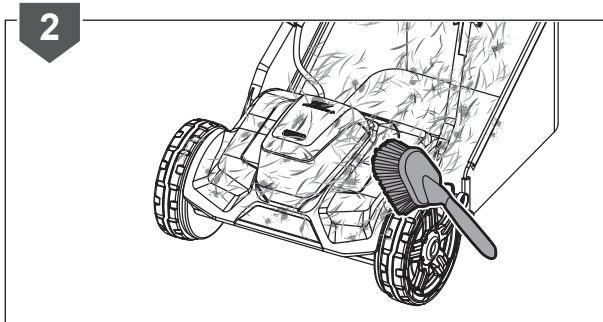
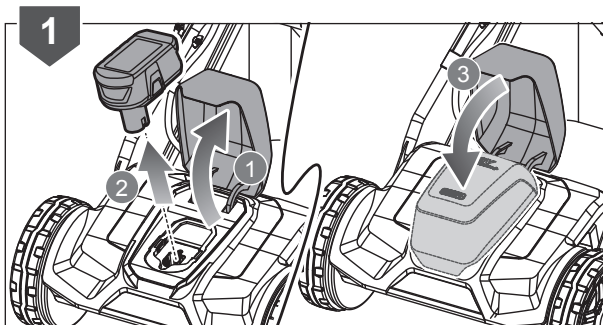
CLEANING THE PRODUCT

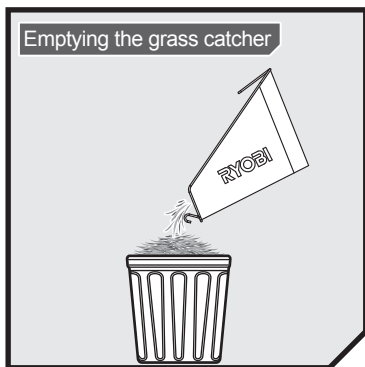
1. Remove the battery pack.
2. After each use, clean the product with a soft, dry cloth, or cleaning brush.

NOTE: Clean the motor vents after each use to prevent debris build-up.

3. Clean the debris from the blades with a cleaning brush, and then carefully apply a rust-preventative lubricant. Use a recommended rust-preventative lubricant spray and apply an even amount of lubricant on the blades. Wear gloves to reduce the risk of personal injury from contact with the blades. For information about a suitable spray product, check with an authorised service centre.

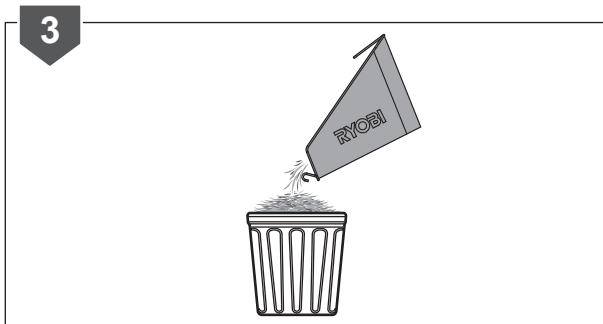
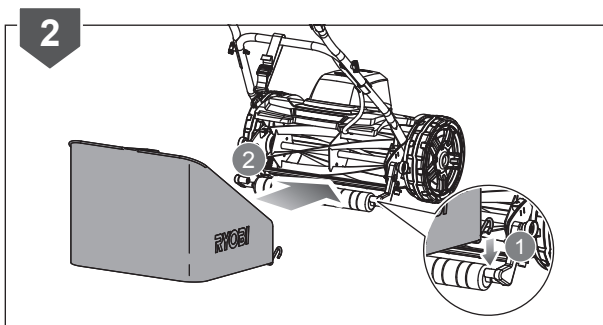
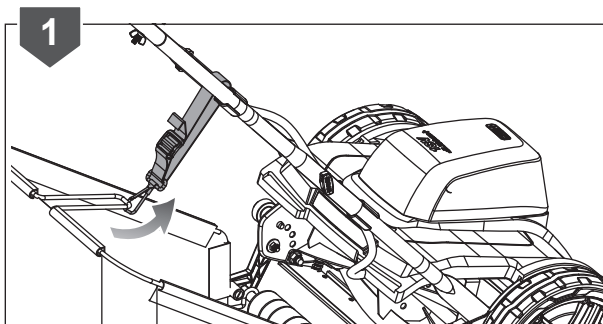
WARNING: Do not use water when cleaning the product.



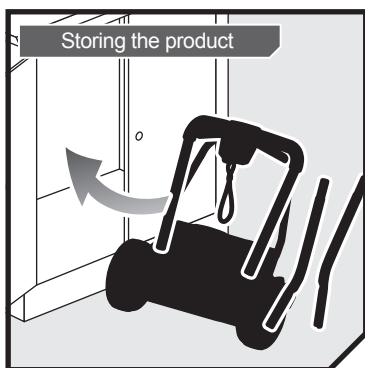


EMPTYING THE GRASS CATCHER

1. Unclip the suspension strap from the grass catcher.
2. Lift and unhook the grass catcher from the roller.
3. Empty grass clippings into a bin.

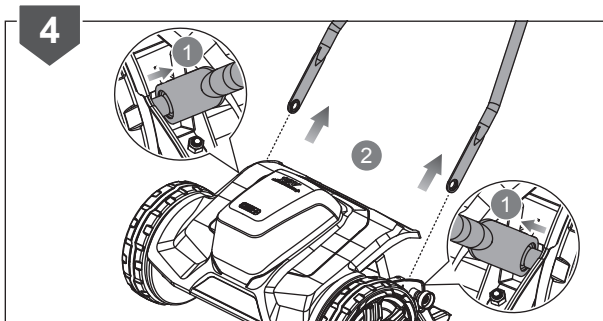
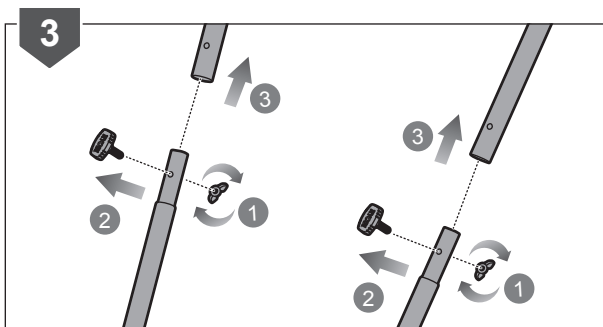
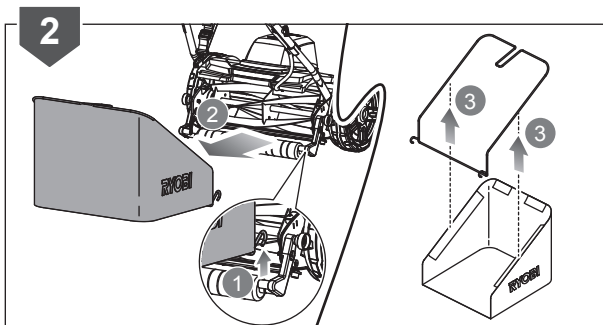
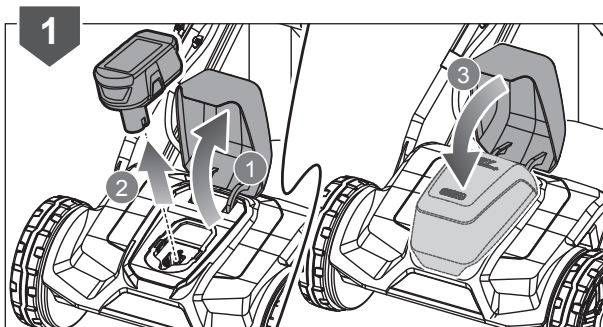


STORAGE



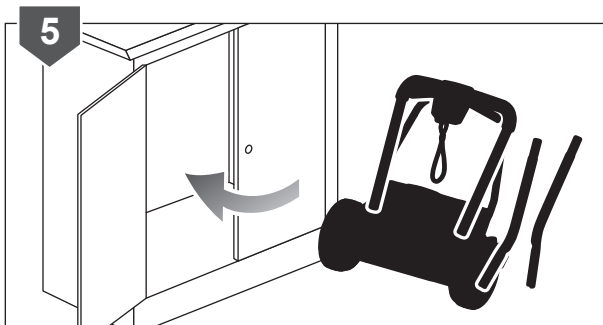
STORING THE PRODUCT

1. Remove the battery pack.
2. Remove the grass catcher.
3. Remove the handle fasteners of the middle tubes and the lower handles.
4. Slightly squeeze the lower handles together to release them from the location knobs, then lift away.



STORAGE

5. Store the product in a cool, dry, and well-ventilated place that is inaccessible to children. Keep away from corrosive agents such as garden chemicals and de-icing salts. Do not store outdoors.



PRODUCT SPECIFICATIONS

Powered Cylinder Mower	
Model	ORM1800/RCM1850
Rated voltage	DC 18V
Cutting width	350 cm
Wheel size	216 mm
Cutting height	18-44 mm
No-load speed	500 +/-10% min ⁻¹
Weight	
Without battery	11.3 kg
With heaviest pack	12.03 kg
Vibration level (in accordance with Annex FF of EN 60335-2-77)	
Right handle	0.07 m/s ²
Left handle	0.20 m/s ²
Uncertainty of measurement	1.5 m/s ²
Noise emission level (in accordance with Annex GG of EN 60335-2-77)	
A-Weighted sound pressure level at operator's position	68 dB(A)
Uncertainty of measurement	3.0 dB
A-Weighted sound power level	85.6 dB(A)
Uncertainty of measurement	3.0 dB

BATTERY AND CHARGER

Model	ORM1800	RCM1850
Battery pack	-	RB18L50
Weight	-	0.73 kg
Charger	-	RC18115
Compatible battery packs	RB18L13/RB18L15/RB18L20/RB18L25/ RB18L26/RB18L40/RB18L50	
Compatible charger	BCS618G/BCL14181H/BCL14183H/ BCL1418IV*/RC18150U/RC18627U/ RC18120/RC18115	

* for vehicles with 12V DC outlets

REPLACEMENT PART

Bottom blade	682285001
Safety key	527968005

VIBRATION LEVEL

The declared vibration value has been measured with a standard test method and may be used to compare one tool with another.

The declared vibration value may be used in preliminary assessment of exposure.

The vibration emission during actual use of the power tool can differ from the declared total value depending on the ways in which the tool is used.

Identify safety measures to protect the operator that are based on an estimation of exposure in the actual conditions of use, taking account of all parts of the operating cycle such as the times when the tool is switched off and when it is running idle in addition to the trigger time.



Imported by:

Techtronic Industries Australia Pty Ltd
31 Gilby Road, Mount Waverley, VIC 3149
Melbourne, Australia

Techtronic Industries N.Z. Limited
2 Landing Drive, Mangere
Auckland, 2022, New Zealand