

EasyDRAIN™ Compact Installation Instructions



Installation Is ...
Easy As 1, 2, 3
Prepare • Install • Finish

IMPORTANT: EasyDRAIN™ Channel should always be installed with the grate attached to the channel.

*Galvanised grates are not suitable around swimming pools or salt water environments.

1 Prepare Trench

Dig a trench of at least 130mm deep x 250mm wide and place compacted bedding sand or concrete slurry in the base. Ideally the trench should be sloped at a ratio of 10cm per 10m of channel to prevent water pooling along the length of the channel. Use a string line to ensure straightness and correct finish height.

2 Install Channel

Connect EasyDRAIN™ Compact Channel sections together using the easy male to female interlocking system. It is recommended that you connect 3 metre sections together before placing it into the trench and that the grates are attached to the channel prior to installation. To make sure the channel sections are securely connected, lightly tap the join between the channel sections until the joint clicks together.

Connect an EasyDRAIN™ Compact End Cap to the highest point of your EasyDRAIN™ Compact Channel. To change the direction of your channel, use an EasyDRAIN™ Compact Corner.

At the lower end of the drain the channel can be connected to the stormwater drainage system by connecting to 75mm, 90mm or 100mm pvc stormwater pipe using one of the easy cut-out features in the base of the channel itself.

3 Finish Installation

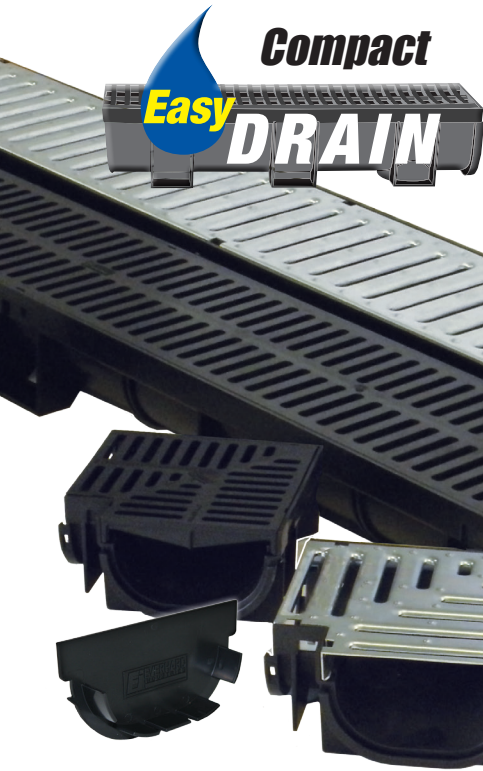
Once you are ready to start laying your drain, position the channel into the compacted sand or concrete slurry so that the feet of the channel are completely immersed.

A suitable expansion joint should be installed along both sides of the channel for its whole length (Everhard recommends 75mm wide, 8-10mm thick) attached to the channel with adhesive tape. The upper edge of the strip should be level with the upper edge of the channel. This allows for the grates to be removed once installed if cleaning becomes necessary.

With the EasyDRAIN™ Compact Channel and Grate in place, pour concrete along the outside walls of the channel to a thickness of 50mm. Lightly compact and finish the concrete slightly above the surface level of the grate (approximately 2-3mm) to promote run off from the surrounding area into the drain.



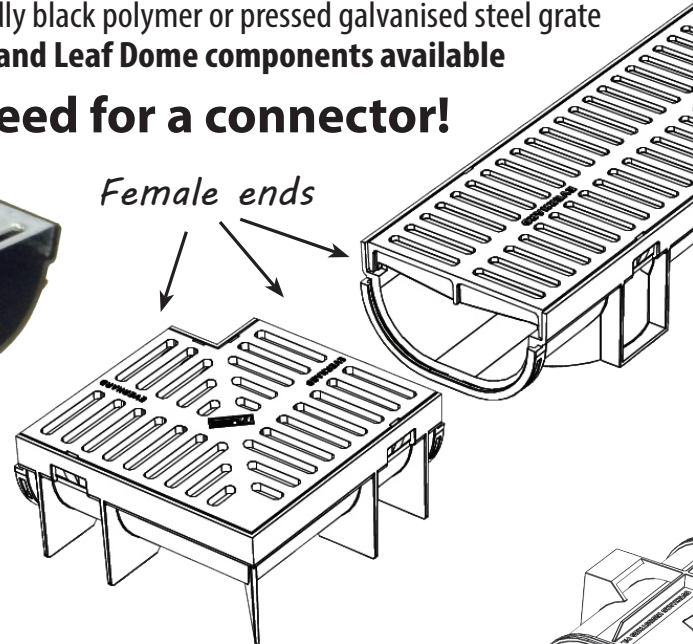
EasyDRAIN™ Compact Installation Instructions



- 1 metre lengths
- Shallow 80mm profile allows for quick installation
- Tough UV stabilised polymer material
- Simple click together joining mechanism
- Connects to 75mm, 90mm & 100mm pvc pipe
- Complete with heel friendly black polymer or pressed galvanised steel grate

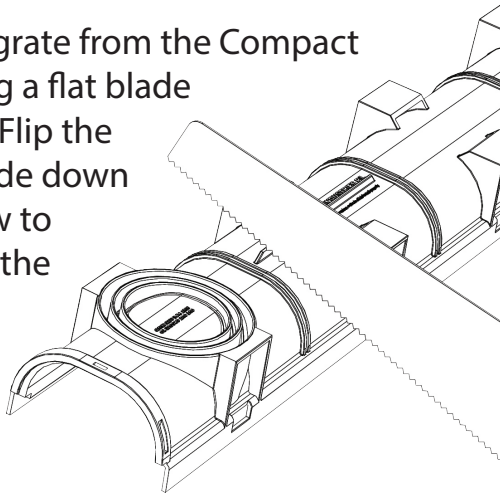
Corner, End Cap and Leaf Dome components available

No need for a connector!



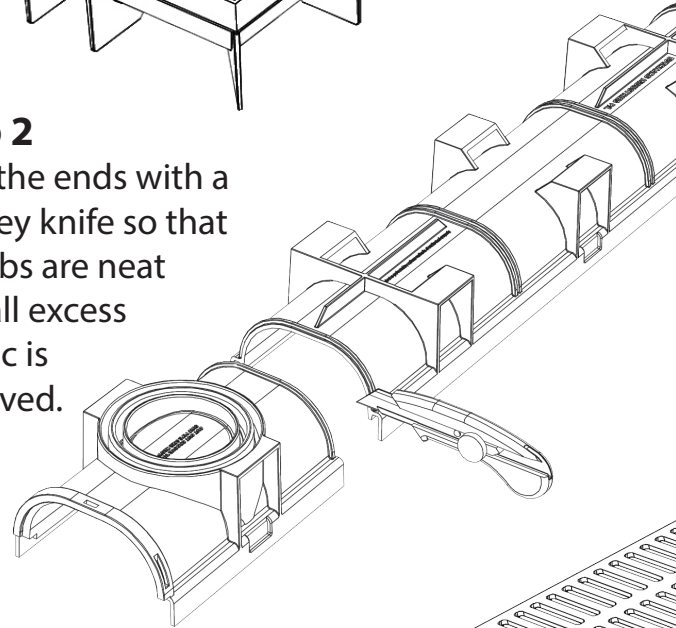
Step 1

Remove the grate from the Compact channel using a flat blade screwdriver. Flip the channel upside down and use a saw to cut between the ribs that are 200mm from the female end.



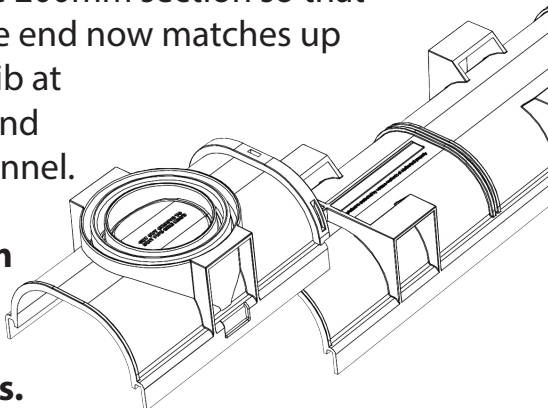
Step 2

Trim the ends with a Stanley knife so that the ribs are neat and all excess plastic is removed.



Step 3

Rotate the 200mm section so that the female end now matches up with the rib at the new end of the channel. **Now you have a 1m channel with two male ends.**



Step 4

Flip the channel to the right way up and clip the grate back into position. Now the channel and grate can be connected to the corner components on each end.

