
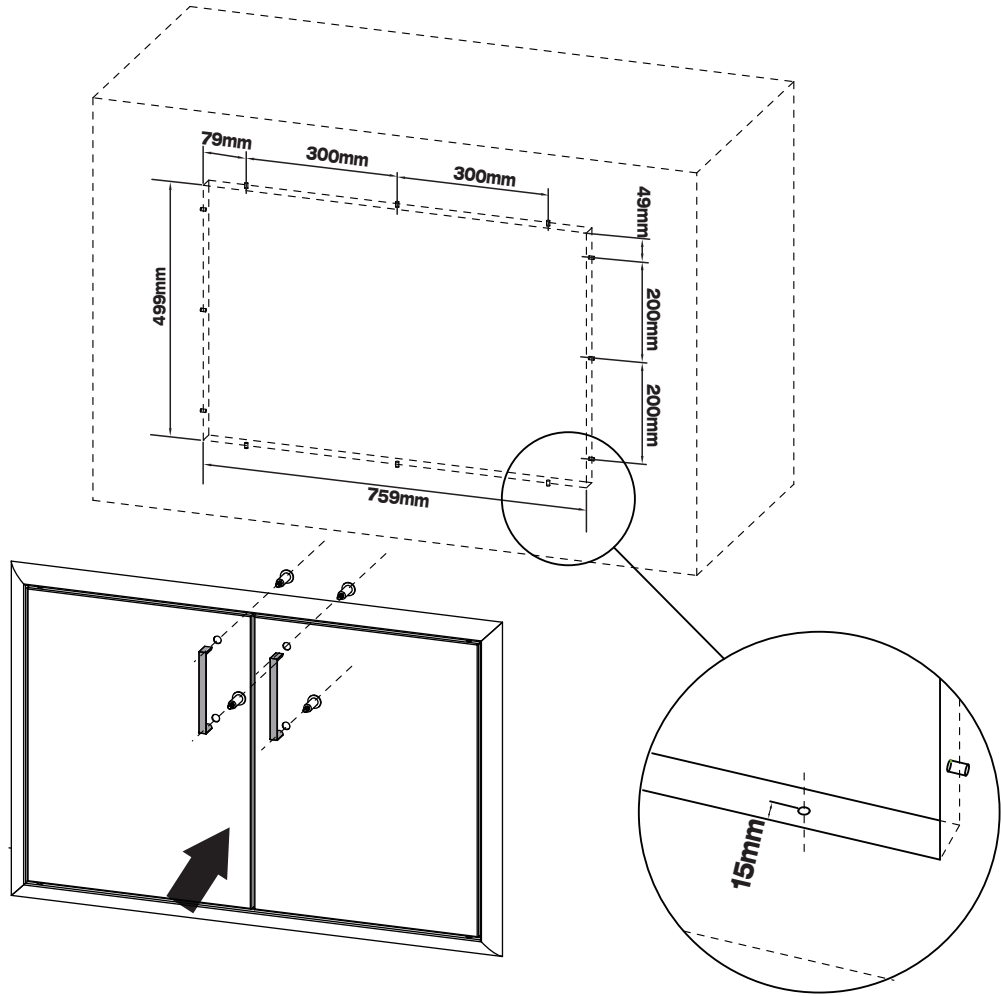



# B330

## STEP 1

 4:4mm



## STEP 2

 X12

 X12

Note: bolts and washers in this step are not included.

