

**OWNER'S MANUAL**  
Operating and Servicing Instructions

Find **GENUINE** Replacement Parts at [www.dirtdevil.com.au](http://www.dirtdevil.com.au)

<b>This product uses the following parts:</b>	<b>FILTER TYPE</b>	<b>DDCSTFLT</b>
---	--------------------	-----------------

- Please read these instructions carefully before using your product.
- Let us help you put your product together, order parts and accessories or answer any questions.
- Please Do Not Return This Product To The Store.

Call Our Customer Service Line  
**AU: 1300 361 505 / NZ: 0800 800 900**  
 Mon.-Fri. 8:30 a.m. – 5:00 p.m. E.S.T.  
[www.dirtdevil.com.au](http://www.dirtdevil.com.au)

**WARNING:** Product assembly may include small parts. Small parts can present a choking hazard.



# WARNING

**IMPORTANT: READ CAREFULLY BEFORE ASSEMBLY AND USE. THIS PRODUCT IS INTENDED FOR HOUSEHOLD USE ONLY. IF USED COMMERCIALY WARRANTY IS VOID.**

When using the cleaner, basic safety precautions should always be observed, including the following:

1. Only use the vacuum cleaner indoors on dry surfaces.
2. Turn off the on/off switch on the vacuum cleaner controls before disconnecting or connecting from the mains supply.
3. Always unplug the vacuum cleaner before connecting or disconnecting the vacuum accessories.
4. Children should be supervised to ensure that they do not play with the appliance.
5. This appliance is not intended for use by children and persons with reduced physical, sensory or mental capabilities or lack of experience and knowledge, unless they have been given supervision or instruction concerning use of the appliance in a safe way and understands the hazards involved.
6. Cleaning and maintenance shall not be made by children.
7. The appliance should only be used as described in this user guide.
8. Only Dirt Devil recommended attachments should be used with this appliance.
9. Do not use this vacuum cleaner if it has been dropped, damaged, left outdoors or dropped into water. Do not use this vacuum cleaner with a damaged cord or plug. If the supply cord is damaged call us on AU: 1300 361 505 / NZ: 0800 800 900 for your nearest Dirt Devil authorised service agent.
10. Do not pull or carry this appliance by the cord. Do not use the cord as a handle, close a door on the cord or pull the cord around sharp edges or corners. Do not run the vacuum cleaner over the cord. Keep the cord away from heated surfaces.
11. Do not handle the plug or the vacuum cleaner with wet hands.
12. Keep hair, loose clothing, fingers and all parts of the body away from openings and moving parts.
13. Do not pick up any hot coals, ash, cigarette butts, matches or any hot, smoking or burning objects.
14. Do not pick up any flammable or combustible materials (lighter fluid, petrol, kerosene etc.) or use in the presence of explosive liquids or vapours.
15. Do not vacuum harmful or toxic material (chlorine, bleach, ammonia, drain cleaner etc.).
16. Do not vacuum hard or sharp objects such as glass, nails, screws, coins etc.
17. Do not vacuum plaster dust, concrete dust or any other building or vitreous materials.
18. Do not vacuum flour, baking soda or any other powder-based carpet refresher or deodoriser.
19. Store the vacuum cleaner in a cool, dry area.
20. Use only SAA approved 10amp extension cords. Care should be taken to arrange the cord so that the cord cannot be tripped over.
21. Do not put any objects into openings. Do not use with any openings blocked and do not restrict airflow. Keep all openings free of dust, lint, hair or anything that might reduce airflow.
22. Do not use the vacuum cleaner with blocked filters and without all of the filters in place.
23. Take extra care when positioning the vacuum cleaner on the stairs.
24. Keep vacuuming area well lit.

**WARNING:** Always switch off and unplug the vacuum cleaner from the electrical socket before assembling, opening or emptying the dirt container, or before connecting/disconnecting the attachments.

**CAUTION:** The vacuum cleaner is a very powerful unit. Before plugging the cord into the electrical socket, make sure the switch is in the 'off' position.

**IMPORTANT:** If the inlet or wand is blocked, switch off the vacuum cleaner and remove the blockage(s) before re-starting the vacuum cleaner.

**IMPORTANT:** Dirt Devil recommends the use of Residual Current Device Rating of 30mA or less.

**NOTE:** If the supply cord is damaged it must be replaced by the manufacturer, or a similarly qualified person in order to avoid hazard, or invalidating the warranty.

**DAMAGE TO THE VACUUM CLEANER CAUSED AS A DIRECT RESULT OF NOT ADHERING TO THE GENERAL SAFETY INFORMATION AND THE INSTRUCTIONS IN THIS USER GUIDE INVALIDATES THE WARRANTY.**

**This machine is intended for household use only, and NOT for commercial or industrial use.**

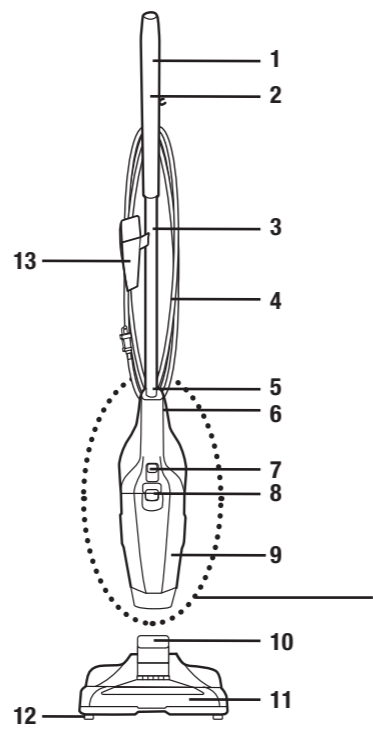
**PLEASE KEEP THESE INSTRUCTIONS FOR FURTHER USE.**

## WARNING:

To reduce the risk of electric shock, this appliance has a polarized plug (one blade is wider than the other). This plug will fit in a polarized outlet only one way. If the plug does not fit fully in the outlet, reverse the plug. If it still does not fit, contact a qualified electrician to install the proper outlet. Do not change the plug in any way.

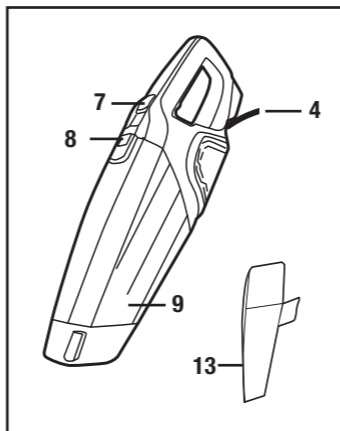
## FEATURES

### FRONT VIEW STICK VAC



1. Handle Grip
2. Upper Cord Wrap (located on back of handle grip)
3. Handle Tube
4. Power Cord
5. Handle Release Button
6. Lower Cord Wrap (located on back of hand vac)

### HAND VAC



BECOMES HAND VAC

FILTER TYPE - F77

7. On/Off Switch
8. Dirt Cup Release Button
9. Dirt Cup
10. Nozzle Release Button (Back)
11. Floor Nozzle
12. Wheels
13. Crevice Tool

\*Depending on model Crevice Tool\* can be on Hand vac or on Tool clip\* attached to handle.

Model Number	DDCST
Wattage	1800W
Voltage	220-240V
Frequency	50/60Hz
Dirt Bin Capacity	0.7L
Weight	1.9kg

	Powerhead
Wattage	8W
Voltage	18VDC

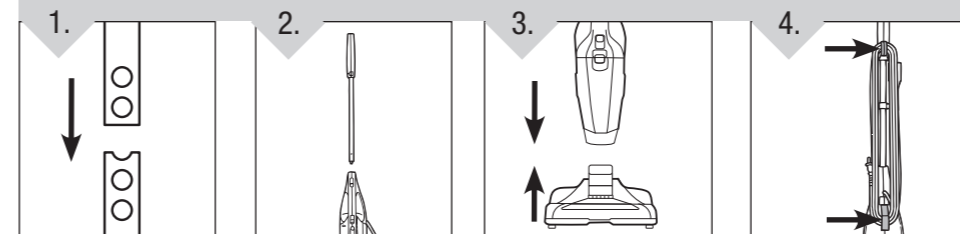


We reserve the right to make changes to technical and design specifications in the interest of continuous product improvement. © Dirt Devil.

## HOW TO USE AS A STICK VAC

**WARNING:** TO REDUCE THE RISK OF ELECTRIC SHOCK - UNPLUG BEFORE CLEANING OR SERVICING

### CORD STORAGE



1. Slide handle grip onto handle tube end with 2 holes. Use Phillips screwdriver to fasten 2 screws.

2. Slide handle down until it snaps in place.

3. Insert floor nozzle into hand vac until it snaps to assure proper connection.

4. Wrap cord around hooks for convenient storage. Attach the plug end to the cord.

**TO USE:** Slide the power switch to the ON position.

**TO TURN UNIT OFF:** Slide the power switch to the OFF position.

- Empty and clean the unit and filter after each use or after large pickups when the unit becomes full.

## HOW TO USE AS A HAND VAC

**WARNING:** TO REDUCE THE RISK OF ELECTRIC SHOCK - UNPLUG BEFORE CLEANING OR SERVICING.



1. Slide release button back then remove handle from unit.

2. Depress nozzle release button on rear of nozzle and pull apart.

**TO USE:** Slide the power switch to the ON position. (I=ON)

**TO TURN UNIT OFF:** Slide the power switch to the OFF position. (0=OFF)

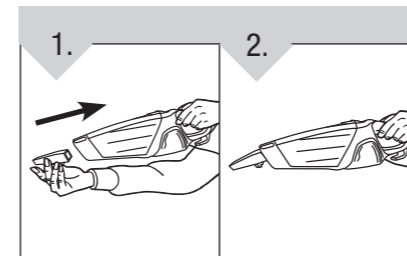
- Empty and clean the unit and filter after each use or after large pickups when the unit becomes full.

**CAUTION:** Not to be used for grooming a pet.

## HAND VAC ATTACHMENTS

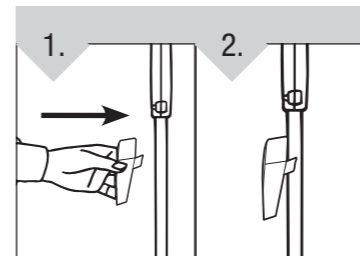
### CREVICE TOOL\*

#### TO USE CREVICE TOOL



Attach crevice tool by inserting into nozzle opening. To remove, pull apart gently.

#### TO STORE CREVICE TOOL



To store crevice tool snap onto handle tube.

## DIRT CUP & FILTER: REMOVAL & REPLACEMENT

**IMPORTANT:** FOR BEST RESULTS, CLEAN THE FILTER AFTER EACH USE.

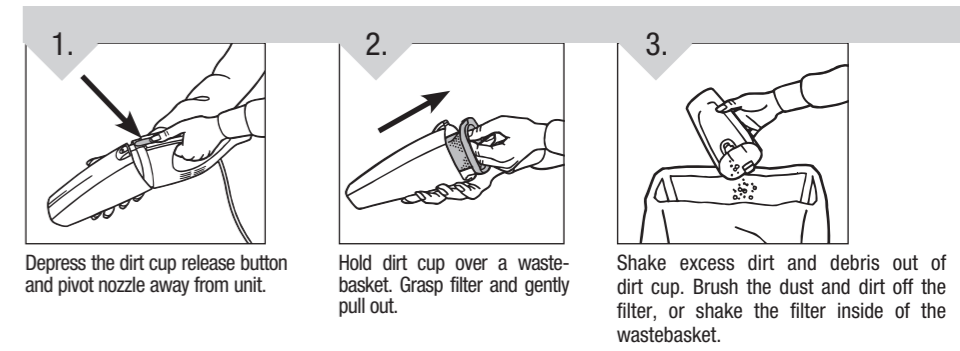
**WARNING:** TO REDUCE THE RISK OF ELECTRIC SHOCK - UNPLUG BEFORE CLEANING OR SERVICING

**NOTE:** For best performance, replace filter every 6 months.

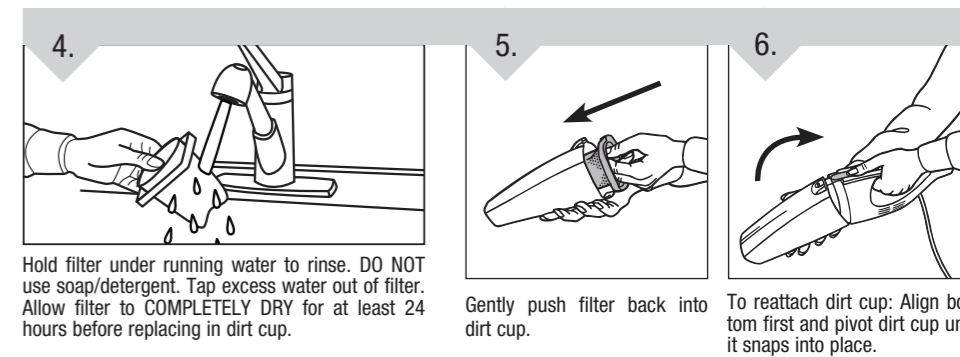


For filter replacement, please visit our website at [www.dirtdevil.com.au](http://www.dirtdevil.com.au) to buy online or call our customer service line at AU: 1300 361 505 / NZ: 0800 800 900

### EMPTY AND CLEAN DIRT CUP



### CLEAN AND RINSE FILTER



## TROUBLESHOOTING GUIDE

**WARNING:** To reduce the risk of electric shock - unplug before cleaning or servicing. If appliance is not working as it should, has been dropped, damaged, left outdoors, or dropped into water, take it to a service center prior to continuing use.

PROBLEM	POSSIBLE REASON	POSSIBLE SOLUTION
<b>Cleaner won't run</b>	1. Power cord not firmly plugged into outlet. 2. Needs service.	1. Plug unit in firmly. 2. Call for service: AU: 1300 361 505 NZ: 0800 800 900
<b>Cleaner won't pick up or low suction</b>	1. Dirt cup not installed correctly. 2. Dirt cup full. 3. Clogged filter. 4. Dirt inlet tube clogged.	1. Review dirt cup removal and replacement. 2. Empty dirt cup. 3. Remove filter and clean. 4. Remove nozzle; remove obstruction.
<b>Dust escaping from cleaner</b>	1. Dirt cup full. 2. Dirt cup not installed correctly. 3. Filter not installed correctly. 4. Filter is dirty.	1. Empty dirt cup. 2. Review dirt cup removal & replacement. 3. Review filter removal & replacement. 4. Clean filter or replace.
<b>Cleaner tools won't pick-up</b>	1. Crevice tool clogged. 2. Dirt cup is full. 3. Filter clogged.	1. Remove crevice tool; remove obstruction. 2. Empty dirt cup. 3. Clean filter.
<b>Brushroll will not turn</b>	1. Brushroll may have an obstruction.  2. Motor protection device tripped.  3. Broken belt.  4. Internal component damage.	1. Make sure unit is turned off and unplugged. Remove nozzle by pressing the nozzle release button and pulling the nozzle in a downward motion. Remove any debris clogged in the nozzle air path. Reassemble nozzle to the product. 2. Turn product to off position, product will reset in approximately 30 minutes 3. Make sure unit is turned off and unplugged. Remove nozzle cover replace with recommended belt and replace nozzle cover. 4. Call for service: AU: 1300 361 505 NZ: 0800 800 900

**ANY OTHER SERVICING SHOULD BE DONE BY AN AUTHORIZED SERVICE REPRESENTATIVE**  
**CUSTOMER SERVICE**  
**AU: 1300 361 505**  
**NZ: 0800 800 900**  
[www.dirtdevil.com.au](http://www.dirtdevil.com.au)

**Distributed by Techtronic Industries Australia Pty. Ltd.**  
**31 Gilby Road, Mt Waverley**  
**Victoria, 3149, Australia**