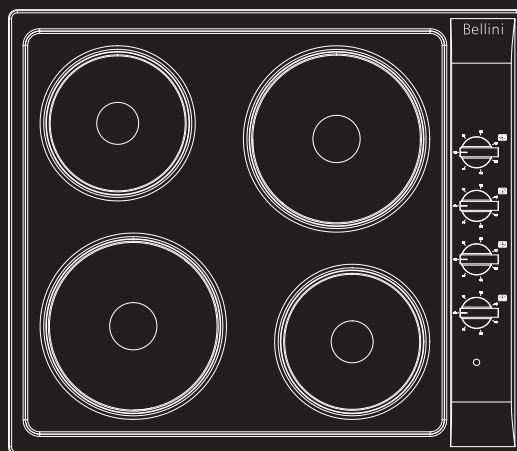


60cm Electric Cooktop



BCS604X

All electrical work/repairs must be carried out by a suitable and authorised electrician or service agent.

Important Safeguards

When using electrical appliances, in order to reduce the risk of fire, electric shock and/or injury, these basic safety precautions should always be followed:

For Your Safety

Read all instructions carefully, even if you are quite familiar with the appliance.

- This appliance is not intended for use by persons (including children) with reduced physical, sensory and mental capabilities, or lack of experience and knowledge, unless they have been given supervision or instruction concerning use of the appliance by a person responsible for their safety.
- Young children should be supervised to ensure they do not play with the appliance.
- **WARNING:** Accessible parts may become hot during use. To avoid burns young children should be kept away.
- If it is necessary for younger family members to be in the kitchen, please ensure that they are kept under close supervision at all times.
- Take care not to burn hands on upper elements when removing items from the cooker.
- Do not touch hot surfaces.
- **CAUTION:** The temperature of the door or the outer surface may be high when the appliance is in operation.
- Use only on heat resistant surfaces.
- The appliance becomes hot during operation. Take care not to touch the hot parts inside the oven.
- **WARNING:** Ensure that the appliance is switched off before replacing the lamp to avoid the possibility of electric shock.
- In order to prevent accidental tipping of the appliance, for example by a child climbing onto the open oven door, the stabilising means must be installed. Refer to the instructions for installation.

NOTE: The adjacent furniture or the housing and all materials used in the installation must be able to withstand a minimum temperature rise of 85°C above ambient during periods of use. Certain types of vinyl or laminate kitchen furniture are particularly prone to heat damage or discolouration at temperatures below the above guidelines. Installing the appliance in contravention of this temperature limit or the placing of adjacent cabinet materials closer than 4mm to the appliance, will be at the liability of the owner.

NOTE: The minimum safety distance between the top of the cooktop and the underside of the rangehood must be 600mm.

- Allow the appliance to cool before cleaning.
- Do not use the appliance for anything other than its intended use. This product is intended for household use only.
- **DO NOT MOVE** appliance when switched on.
- Ensure the power cord does not touch the cooker housing when in use.
- Do not use outdoors.
- **WARNING:** If the surface is cracked, switch off the appliance to avoid the possibility of electric shock.
- This cooking range must be connected to the supply by a supply cord fitted with an appropriately rated plug that is compatible with the socket-outlet fitted to the final sub-circuit in the fixed wiring that is intended to supply this cooking range.
- Do not attempt to repair or disassemble the appliance.
- The appliance should not be covered or operated near or underneath flammable material such as curtains or drapes or other combustible materials when in operation.
- Do not operate in the presence of flammable or explosive materials.

- Do not operate any appliance with a damaged cord or plug.
- Do not allow electrical fittings or cables to be in contact with hot areas of the appliance.
- Do not use an extension cord with this appliance.
- Take care when opening and closing the door of the appliance.
- Don't move the cooker by pulling by the door and/or handle.
- Do not attempt to lift or move cooking appliances by pulling on any door or handle as this can cause damage.
- Don't store flammable materials, aerosols etc., in adjacent cabinets.
- Don't place flammable or plastic items on or near the hob and never place wet cloths etc., on the hob to dry.
- Don't store flammable items such as oven gloves, paper and similar items in the storage compartment.
- **Don't use the cooker for:**
 - Hanging towels and dish cloths etc., on the handles
 - Warming plates under the grill
 - Heating the kitchen
 - Drying
- Ensure that the appliance is switched off before replacing the lamp to avoid the possibility of electric shock.
- Do not place heavy objects on or lean on the oven door when open as this can cause damage to the hinging.
- Do not place pans or baking trays on the bottom of oven cavities or line with Aluminium Foil.
- NEVER INSERT A KNIFE OR ANY OTHER UTENSIL INTO THE COOKER. This may damage the mechanism and cause a safety hazard. Contact with elements could result in electrical shock.
- **Food Hygiene**
Ensure meat and poultry is thoroughly defrosted before cooking.
Check food is thoroughly cooked and is piping hot.
- Ensure that small items of household equipment, including connection leads, do not touch the hot oven or the hob as the insulation material of this equipment is usually not resistant to high temperatures.
- Do not allow the hob to get soiled and prevent liquids from boiling over onto the surface of the hob. Any spillages should be cleaned up as they happen.
- Do not place pans with a wet bottom on the warmed up heating zones as this can cause irreversible changes to the hob (irremovable stains).
- Do not switch on the hob until a pan has been placed on it.
- Do not put pans weighing over 15kg on the opened door of the oven and pans over 25kg on the hob.
- Do not use harsh cleaning agents or sharp metal objects to clean the doors as they can scratch the surface, which could then result in the glass cracking.
- Do not use the cooker in the event of a technical fault. Any faults must be fixed by an appropriately qualified and authorised person.
- In the event of any incident caused by a technical fault, disconnect the power and report the fault to the service centre to be repaired.
- The rules and provisions contained in this instruction manual should be strictly observed. Do not allow anybody who is not familiar with the contents of this instruction manual to operate the cooker.
- The cooker should not be cleaned using steam equipment.
- Any spillage should be removed from the hob lid before opening. The hob surface should be allowed to cool before closing the lid.
- Do not attempt to repair, modify, and disassemble the appliance. The use for any other purpose or in any other environment without the express agreement of the manufacture or its agent would invalidate any warranty or liability claim.

- This appliance complies with all current safety legislation, however the manufacture wish's to emphasise that compliance does not remove the fact that the appliance surfaces will become hot during use and retain heat after operation.
- We also advise that great care is taken during use and cleaning operations.
- Remove cardboard lids from food containers and replace with aluminum foil before placing in the appliance. When using aluminum foil, keep it from touching the heating elements.
- This appliance must be correctly installed by a suitably qualified person, strictly in accordance with the manufacturer's instructions. The manufacture declines any responsibility for injury or damage to persons or property as a result of improper use or installation of this appliance.
- Dispose of packaging properly keeping plastic bags away from babies and young children.

Compulsory Warning

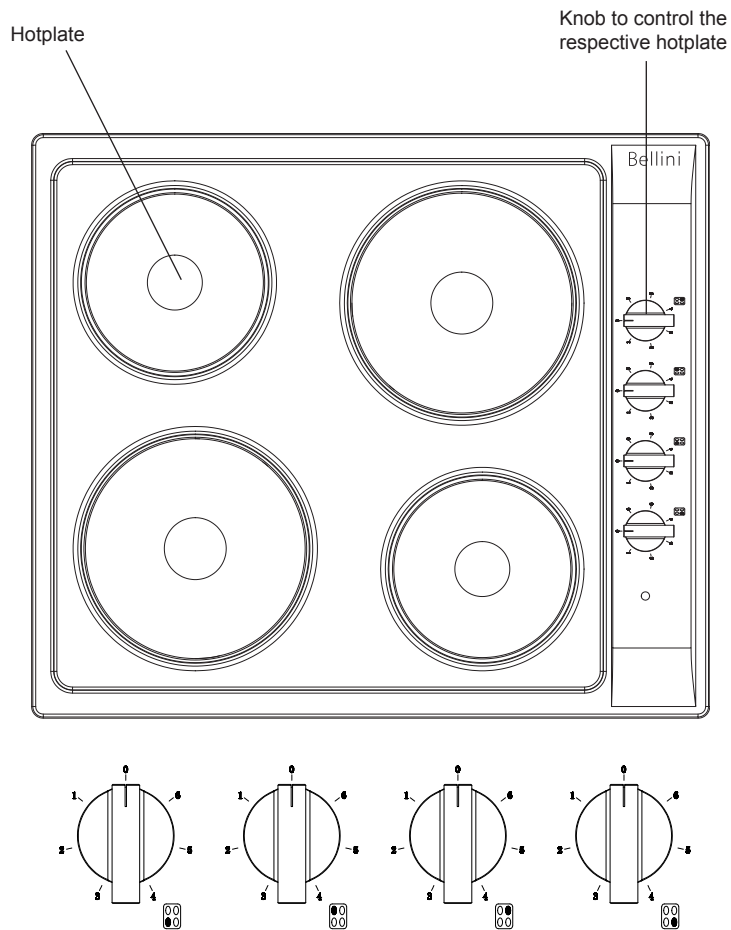
If the supply cord is damaged, the cord must be replaced by the manufacturer, its service agent or similarly qualified persons in order to avoid a hazard.

This product has not been designed for any uses other than those specified in this booklet.

Save These Instructions

The manufacturer reserves the right to introduce changes which do not affect the operation of the appliance.

Features of Your Electric Cooktop



A marking to the bottom right of each control knob, indicates which hotplate it controls.

Getting to Know Your Cooktop

Congratulations on the purchase of your new Bellini appliance.

Before using your new cooktop, it is most important that you read and follow the instructions in this use and care booklet, even if you feel you are familiar with this type of appliance.

Your attention is drawn particularly to the section dealing with **IMPORTANT SAFEGUARDS**.

Find a safe and convenient place to keep this booklet handy for future reference.

This appliance has been designed to operate from a standard domestic power outlet. It is not intended for industrial or commercial use.

How to Save Energy

Using energy in a responsible way not only saves money but also helps the environment. So let's save energy! And this is how you can do it:

- Use proper pans for cooking. Pans with thick, flat bases can save up to 1/3 on electric energy. Remember to cover pans if possible otherwise you will use four times as much energy!
- Match the size of the saucepan to the surface of the heating plates. A saucepan should never be smaller than a heating plate.
- Do not uncover the pan too often (a watched pot never boils!).
- Do not install the cooktop in the direct vicinity of refrigerators/freezers. Otherwise energy consumption increases unnecessarily.

Installation

Positioning

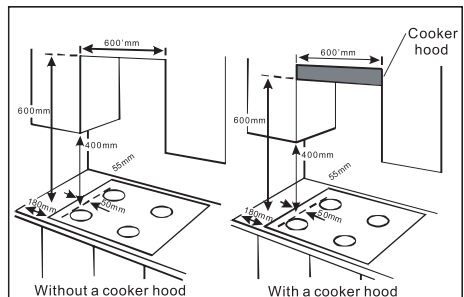
This appliance must be correctly installed by a suitably qualified person.

To avoid damaging your appliance.

- Pans should be lifted on and off the hotplate surface and not dragged.
- Hotplates should not be switched on without cookware placed on them. Cookware should not be empty.



The adjacent furniture must be able to withstand a minimum temperature rise of 100°C above the ambient temperature of the room it is located in, during periods of use.



This appliance is to be built into a kitchen unit (depending on size) or 600 mm worktop, providing the following minimum distances are allowed:

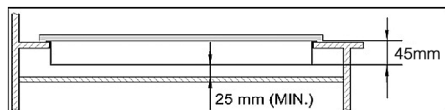
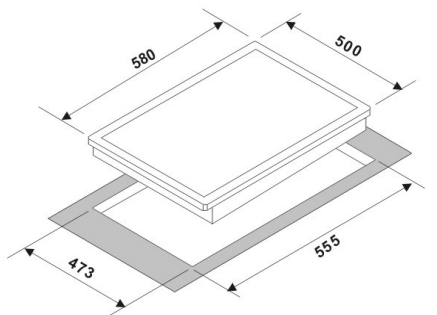
- 600mm (minimum) between the hob surface and the underside of any horizontal surface above it.
- 50 mm clearance around the appliance and between the hob surface and any combustible materials.

Unpacking the appliance

When unpacking the appliance please check that the following items are contained within the packaging:

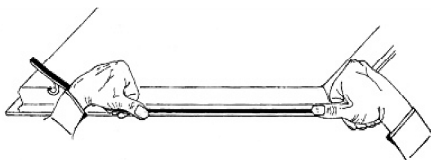
- 1 cooktop
- 1 Installation and instruction manual
- 4 Fixing screws
- 4 Clamps
- 1 Sealing strip

Installing the appliance

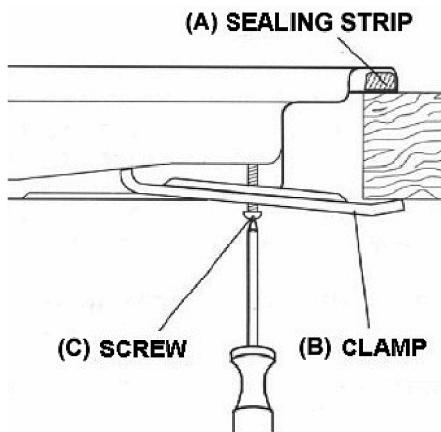


CAUTION: The surface temperature exceeds 95 °C. To avoid a hazard, underbench access must be restricted.

- Cut a hole in the worktop that corresponds with the drawings shown above.
- **IMPORTANT:** You must have a gap of at least 25 mm between the underneath of the appliance and any surface that is below it.



- Carefully turn the cooktop upside down and place it on a cushioned mat.
- Apply the sealing strip provided around the edge of the appliance.
- The protective covering must be removed from both sides.
- Do not leave a gap in the sealing agent or overlap the thickness.
- **IMPORTANT:** Do not use a silicon sealant to seal the appliance against the aperture. This will make it difficult to remove the hob from the aperture in future, particularly if it needs to be serviced.



Place the clamp (B) over the holes that match the size of the screws. There are one set of screw holes in each corner of the cooktop. Slightly tighten a screw (C) through the clamp (B) so that the clamp is attached to the cooktop, but so that you can still adjust the position of it.

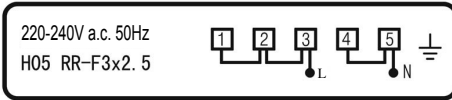
- Carefully turn the cooktop back over and then gently lower it into the aperture hole that you have cut out.
- On the underneath of the cooktop, adjust the clamps into a position that is suitable for your worktop. Then fully tighten the screws (C) to secure the cooktop into position.

Electrical connection



This appliance must be installed by a qualified person.

Before connecting the appliance, make sure that the supply voltage marked on the rating plate corresponds with your mains supply voltage.



WARNING: THIS APPLIANCE MUST BE EARTHED.

Connecting the mains supply cable

- The mains terminal block is located on the underside of the hob and the terminals are accessible by removing the terminal block cover by removing the cover screw.
- The cable connections must be in accordance with the diagram located on the bottom of the hob.

Troubleshooting Guide

Problems	Possible Cause and solve
The hotplates are not functioning or will not switch on.	Check that the mains electrical supply to the appliance is correct and working. Check the mains fuse.
A humming sound is heard when a hotplate is selected.	This is normal; the sound will disappear when the hotplate heats up
The hotplates have become discoloured	This maybe caused by burnt on remnants of food. This will not affect the working of the appliance. However you should make sure that the cleaning instructions are being followed regularly.
Only two of the hotplates on my cooktop are working	You should recheck that the terminal screws are all fully tightened between the links.

IMPORTANT: If your appliance appears not to be operating correctly, then you should disconnect it from your mains supply and then contact the Service Department . DO NOT ATTEMPT TO REPAIR THE APPLIANCE BY YOURSELF.

How to Use Your Electric Cooktop

Product specification

Product dimensions: L: x W: x H(mm)	580x500x85
Aperture dimensions: L: x W: x H(mm)	473 x 555 x40
Product specifications:	2 x 2.00 kW thermostatic plates (diameter 180 mm) 2 x 1.50 kW thermostatic plates (diameter 145 mm)
Electrical details	220-240 Vac 50 Hz 30 A (double pole switched fused outlet with 3mm contact gap) Max Rated Inputs: 7 kW Mains Supply Lead: 3 core x 2.5 mm_ (not supplied)

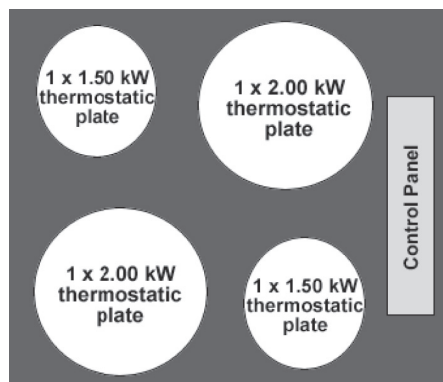


Plate layout

Before first use

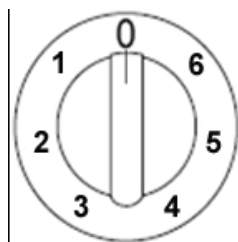
IMPORTANT: You should clean the cooktop and hotplates. (See Cleaning and maintenance section).

- You should switch on one hotplate at a time, for 5 minutes at the maximum setting. This will help to eliminate any new smell that exists and evaporate any humidity that has formed on the heating elements during transit.

Control knobs

- All operations are performed by means of the 4 control knobs that can be found on the right hand side of the cooktop.
- The control knobs can be turned either clockwise or anti-clockwise to select a heating level. The numbers around the outside of each control knob indicates the power level that you have set the hotplate to.
- A marking to the bottom of each control knob, indicates which hotplate it controls.

Turning on a hotplate and setting a power level



- Turn the control knob of the hotplate that you wish to cook on, clockwise or anticlockwise until it reaches the power level that you desire.
- Each hotplate can be adjusted between 1 and 6, one being the coolest hotplate setting and six being the hottest hotplate setting.
- When you have finished cooking, make sure that you turn the control knob anti-clockwise, to the 0 position.

Cooktop guidelines

- The first few times the cooktop is used, it may give off an acrid, burning smell. This smell will disappear completely with repeated use.
- The hotplates are fitted with cooking areas of different diameter and power.
- The positions where the heat will radiate from are clearly marked on the cooktop. The saucepans must be positioned exactly on these hotplates for efficient heating to occur. Pans should have the same diameter as the hotplate that they are being used on.
- You should not use saucepans with rough bottoms, as this can scratch the solid plates.
- Before use, make sure that the bottoms of the saucepans are clean and dry.
- When cold, the bottom of the pans should be slightly concave, as they expand when hot and lie flat on the surface of the hotplate. This will allow the heat to transfer more easily.
- Cover pans with a lid to permit cooking at a lower heat.
- Food or liquid that has high sugar content may damage the cooktop if it comes into contact with the hotplates. Any spillages should be wiped up immediately, however this may not prevent the hotplates from becoming damaged.
- **DO NOT USE THE HOTPLATE IF THE SURFACE BECOMES BROKEN OR CRACKED.**

Caution!

Large pots **MUST NOT** be placed over two or more hotplates as damage will more than likely occur.

Do not leave pans unattended on a hotplate.

Ensure the hotplates are clean. A soiled hotplate does not transfer all the heat.

Protect the hotplate against corrosion.

Switch off the hotplate before a pan is removed.

Cleaning Your Cooktop

Allow the cooktop to cool before cleaning.

- The hotplates should be cleaned after every use to avoid build up of food.
- If a major spillage occurs, wipe clean as soon as possible with a damp cloth.
- Do not immerse in water.
- **DO NOT** use spray-on or other cleaners as they may cause electrical damage. **DO NOT** use sharp utensils to clean.

Abrasive cleaners or sharp objects will damage the cooktop surface; you should clean it using water and a little washing up liquid.

Although it is easier to clean some deposits whilst the hotplates are still warm, you should take care not to burn yourself.

After each use

- Wipe the appliance over with a damp cloth and a little washing up liquid.
- Dry the appliance by rubbing the surface with a clean cloth.

Regular Inspections

Besides keeping the cooktop clean, you should:

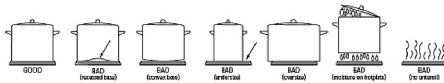
- Carry out periodical maintenance.

Caution!

All repairs and regulatory activities should be carried out by the appropriate service centre or by an appropriately authorised fitter.

- Before using your electric cooktop, check each time that the base of the saucepan and the cooking zone are clean and dry.
- To save on energy consumption, always use pans with lids. When the boiling point is reached, it is best to turn the knob to the **LOW** position.
- Do not allow vinegar, coffee, milk, salted water, lemon or tomato juice to remain in contact with the enamelled surface of your cooktop for long periods of time.

- Never leave the hot plates on without pans on them or with empty pans. Switch on the hot plates after having set the pan in place.
- Switch off the heating element before removing the pan, Once switched off, the plates will remain warm for a while.
- Avoid using oversized pans that may radiate excessive heat and cause damage to surrounding surfaces.



Cleaning Hints

To keep your electric cooktop in good condition, always allow it to cool down before attempting to clean.

Stainless steel surface

The stainless steel surface are to be cleaned only with a damp cloth and with a purpose made product, such as Steel Power from Hillmark, or a few drops of olive oil on a damp cloth.

Hot Plates

Weekly cleaning of frequently used hot plates is recommended to maintain their surface finish.

- Use a small amount of concentrated household detergent and a nylon scourer to remove all baked on grime. Wipe off with a damp cloth and dry with about 10 seconds of high temperature heat.
- Apply a hot plate protector to the cleaned hot plates such as Solid Hotplate Protector from Hillmark or lightly oil with olive oil while plate is still warm.
- The chrome element rings around the hot plates will change colour over time due the effect of the heat on the metal. The colour changes are dependant on the temperature levels and is common to all electric cooktops.

Warranty

The benefits conferred by this warranty are in addition to all implied warranties, other rights and remedies in respect of the product which the consumer has under the Trade Practices Act and similar State and Territory Laws.

The original purchaser of this Bellini product is provided with the following warranty, subject to the following warranty conditions.

This product is warranted for a period of 2 years from the date of purchase for all parts defective in workmanship or materials. Should an instance occur where the product is deemed faulty, the product will need to be returned to the retailer where it was purchased to be replaced free of charge or a refund issued. In order to obtain an exchange or a refund, proof of purchase must be presented to the retailer.

WARRANTY CONDITIONS

1. This warranty is only valid for appliances installed and used according to the manufacturer's instructions.
2. This warranty does not apply to damage caused if your appliance has been dismantled, repaired or serviced by any person other than someone authorized by the Company.
3. If you live outside the service area of the Company or one of its service agents, this warranty does not cover the cost of transport of the appliance for service nor the service agent's traveling costs to and from your home.
4. If you are required to transport the appliance to the Company or its service agent, you must ensure it is securely packed and insured. The Company does not accept any responsibility for loss or damage of the appliance prior to it being received by the Company or its service agent.
5. This warranty does not cover loss, damage or expense to this appliance caused directly or indirectly by power surges, electrical storm damage or connected to incorrect power supply.
6. The Company (and any company related to the Company) will not be liable for any special, incidental or consequential damages or for loss, damage or expense or for personal injury or loss or destruction of property arising directly or indirectly from the use or inability to use this appliance or any of its parts.
7. Warranty will only be given where proof of purchase is provided, e.g. original invoice.
8. Not designed or warranted for industrial or commercial use (Commercial use applies to shops, offices, schools, factories & workshops etc.).

DO NOT SEND IN THIS WARRANTY

Fill out the following details and file with your purchase invoice.

RETAIN & FILE WITH YOUR RECEIPT

Your Purchase Receipt/Invoice is proof of date of purchase. You must be able to present it at the place of purchase to obtain a replacement or a refund.

GSM Sales Pty Ltd reserves the right to discontinue items, modify designs and change specifications without incurring obligation.

Whilst every effort is made to ensure that descriptions, specifications and other information in this publication is correct, no warranty is given in respect thereof and the company shall not be liable for any errors therein.

You may not make claim under this warrantee unless the defect claimed is due to faulty or defective parts or workmanship. GSM Sales is not liable in the following situations (which are not exhaustive): 1. accident, 2. misuse or abuse including failure to maintain, 3. normal wear and tear, 4. power surges, electrical storm damage or incorrect power supply, 5. incorrect or incomplete installation, 6. incorrect operation and use, 7. any modification to appliance without consent, 8. the appliance is serviced by anyone other than a GSM Sales authorized service agent.

For warranty service contact 1300 373 199 to connect you to your nearest Authorised Service Centre.

Notes

Notes

Notes

Purchased from: _____

Co. Name: _____

Address: _____

Date of Purchase: _____

NOTE: Consistent with our continuing product development policy, improvements may have been made which render the contents of this package slightly different to that shown.

G | S | M

Gerard Sourcing & Manufacturing

GSM Sales Pty Ltd

GSM Sales Pty Ltd has a policy of continual improvement throughout the product range.
As such the unit contained within may differ slightly from the unit illustrated on the pack.

MADE IN CHINA for GSM Sales Pty Ltd



N1028