

jumbuck®

MONTH
12
WARRANTY

Torino Charcoal Pizza Oven

With Cooking Rack

- Powder coated steel body & stand with shelf
- Includes 1 ceramic stone plate
- Powder coated cart handle
- Charcoal removable drawer
- Stainless steel door with bakelite handles
- Trolley stand with wheels
- Air vent
- Dimensions: 620Lx460Wx1810Hmm



Solid Fuel



Ceramic
Cooking plate



Adjustable
Ventilation



JUMBUCK TORINO CHARCOAL PIZZA OVEN (HS-GENS-209)

SAFETY INSTRUCTIONS

**FOR
OUTDOOR
USE ONLY**



- For outdoor use only.
- Improper installation, adjustment, alteration, service or maintenance can cause property damage, injury or death.
- Read the installation, operating and maintenance instructions thoroughly before installing or servicing this equipment.
- Warning: accessible parts may be very hot. Keep young children away.
- Do not move the appliance during use.
- Any modification of the appliance may be dangerous and will void the warranty.
- Installer to leave instructions with the consumer and consumer to retain them for future reference.
- Please ensure all packaging and transit protection materials are removed prior to using the oven.

IMPORTANT! PLEASE READ THESE INSTRUCTIONS CAREFULLY BEFORE USE!

**IMPORTANT! READ THE ASSEMBLY INSTRUCTIONS IN THIS BOOKLET
BEFORE REMOVING THE CONTENTS OF THIS CARTON**

IMPORTANT SAFETY INSTRUCTIONS

This appliance must only be used in an above ground open-air situation with natural ventilation, without stagnant areas, where products of combustion are rapidly dispersed by wind and natural convection

- This oven is an **outdoor appliance only**. Under no circumstances should it be use indoors.
- **READ ALL OPERATING INSTRUCTION BEFORE LIGHTING**
- Do not store chemicals or flammable materials near this appliance.
- Unsupervised children should not be near a oven while cooking or during warm up or cool down.
- People with flammable clothing such as nylon etc. should keep well away from the oven when it is operating.
- Do not leave food unattended on the oven.
- Particular care must be taken when removing the ash tray. Hot ash can cause serious injury.



DO NOT	OPERATE THIS APPLIANCE BEFORE READING THE INSTRUCTION BOOKLET
DO NOT	PLACE ARTICLES ON OR AGAINST THIS APPLIANCE
DO NOT	STORE CHEMICALS OR FLAMMABLE MATERIALS OR SPRAY AEROSOLS NEAR THIS APPLIANCE
DO NOT	OPERATE THIS APPLIANCE INDOORS
DO NOT	ENCLOSE THIS APPLIANCE
DO NOT	LIGHT OR OPERATE WITH THE COVER ON (COVER NOT INCLUDED)

OVEN OPERATING GUIDELINES

Lighting the oven

- solid fuel is to be used for this product (fire wood, charcoal etc.)
- place solid fuel onto the charcoal grid and light using fire starters
- close the oven doors and let the solid fuel light (check occasional to ensure fire is lit)

Cooking

- monitor heat inside oven via temperature gauge
- recommended temperature for cooking pizza is 230 to 250 degrees Celsius
- once desired temperature is reached, place pizza (or desired food) on the ceramic cooking plate to cook
- regularly monitor temperature to ensure pizza/food is not under or over cooked
- the chimney vent and charcoal compartment door vent can be used to control smoke and temperature within the oven when door is closed/sealed

Cleaning

- once finish cooking, remove left over solid fuel
- ashes can be removed via the charcoal drawer
- always ensure oven is clean and free from oil or grease (internally and externally) to ensure longevity of the oven
- always keep oven dry and under cover to protect from weather and moisture

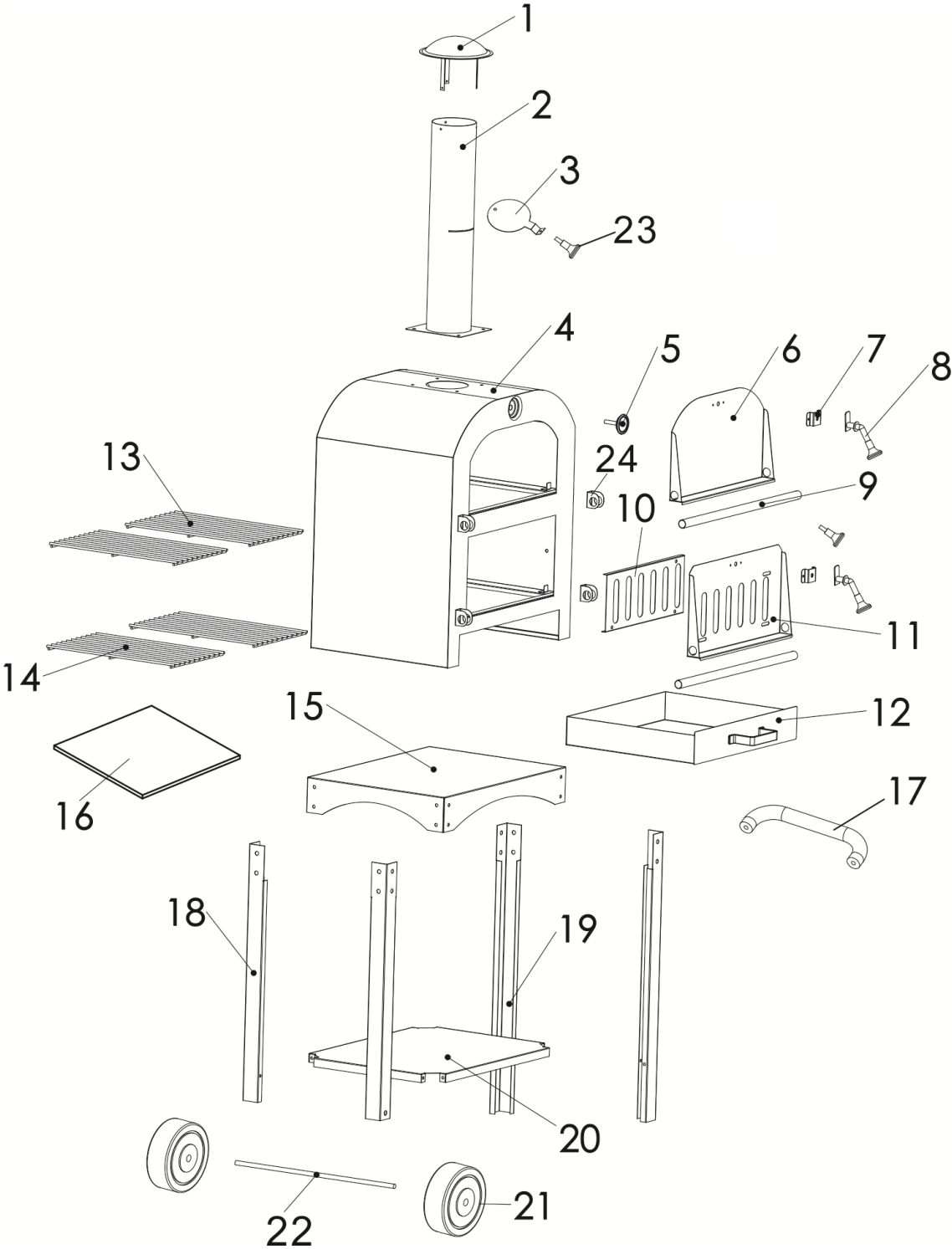
Pre-caution

- always ensure hands are protected when putting or removing food from oven
- always ensure oven is cool before touching or cleaning the internal areas
- do not subject the ceramic stone plate to sudden changes in temperature as this might damage the ceramic stone plate
- do not use flammable liquids for igniting and re-igniting
- open flames and burning embers must never be left unattended
- after use, make sure the unit is allowed to cool before moving

Important Information

- always monitor the temperature of the oven and do not exceed 300 degrees Celsius
- overheating of the oven might cause damages to the oven
- overheating of the oven might cause browning to the stainless steel door on the oven
- overheating of the oven might cause serious burns or injuries





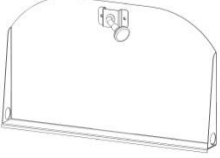

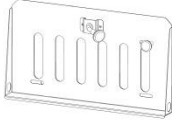
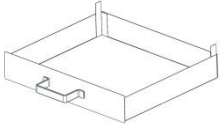


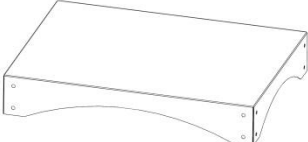
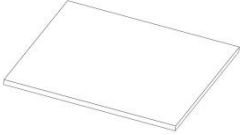



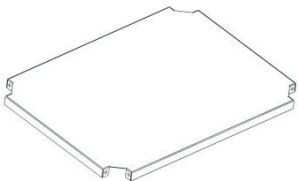

EXPLODED VIEW



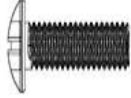

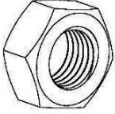
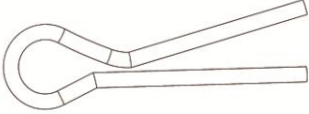


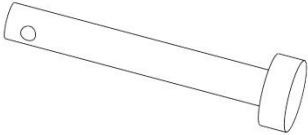
PARTS CODE

Part Number	Part Name	Supplier Code
1	Chimney Cover	GENS209-01
2	Chimney	GENS209-02
3	Chimney Vent	GENS209-03
4	Oven Body	GENS209-04
5	Temperature Gauge	GENS209-05
6	Oven Door	GENS209-06
7	Door Handle Bracket	GENS209-07
8	Door Handle	GENS209-08
9	Door Axle	GENS209-09
10	Charcoal Compartment Door Vent	GENS209-10
11	Charcoal Compartment Door	GENS209-11
12	Charcoal Drawer	GENS209-12
13	Cooking Rack	GENS209-13
14	Charcoal Grid	GENS209-14
15	Bottom Panel	GENS209-15
16	Ceramic Stone Plate	GENS209-16
17	Side Handle	GENS209-14
18	Short Leg	GENS209-18
19	Long Leg	GENS209-19
20	Shelf	GENS209-20
21	Wheel	GENS209-21
22	Wheel Axle	GENS209-22
23	Chimney Vent Handle	GENS209-23
24	Door Hinges	GENS209-24

CARTON CONTENTS

<p>1. Chimney Cover1pc</p> 	<p>2. Chimney.....1pc</p> 	<p>3. Oven Body.....1pc</p> 	<p>4. Wheel Axle.....1pc</p> 
<p>5. Oven Door.....1pc</p> 	<p>6. Door Axle.....2pcs</p> 	<p>7. Charcoal Compartment Door...1pc</p> 	<p>8. Charcoal Drawer.....1pc</p> 
<p>9. Cooking Rack.....2pcs</p> 	<p>10. Charcoal Grid.....2pcs</p> 	<p>11. Bottom Panel.....1pc</p> 	<p>12. Ceramic Stone Plate.....1pc</p> 
<p>13. Side Handle1pc</p> 	<p>14. Short Leg.....2pcs</p> 	<p>15. Long Leg.....2pcs</p> 	<p>16. Shelf.....1pc</p> 
<p>17. Wheel2pcs</p> 			

HARDWARE PACK CONTENTS

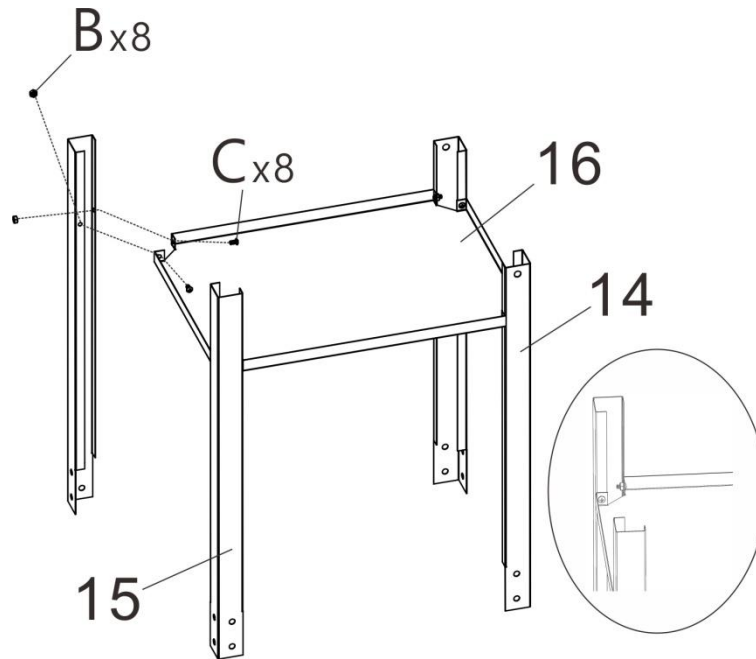
A	Bolt M6x12 	2 pcs	B	Bolt M5x10 	35 pcs
C	Nut M5 	32 pcs	D	Cotter Pin 	4 pcs
E	Lock Nut M6 	2 pcs	F	Flat washer M6 	2 pcs
G	Plug Pin 	4 pcs			

ASSEMBLY INSTRUCTIONS

Remove all contents from packaging, and make sure all the parts are present before attempting to assemble! Tighten all bolt connections by hand first. When the oven is fully assembled, retighten the screws, nuts and bolts by using a wrench and screwdriver.

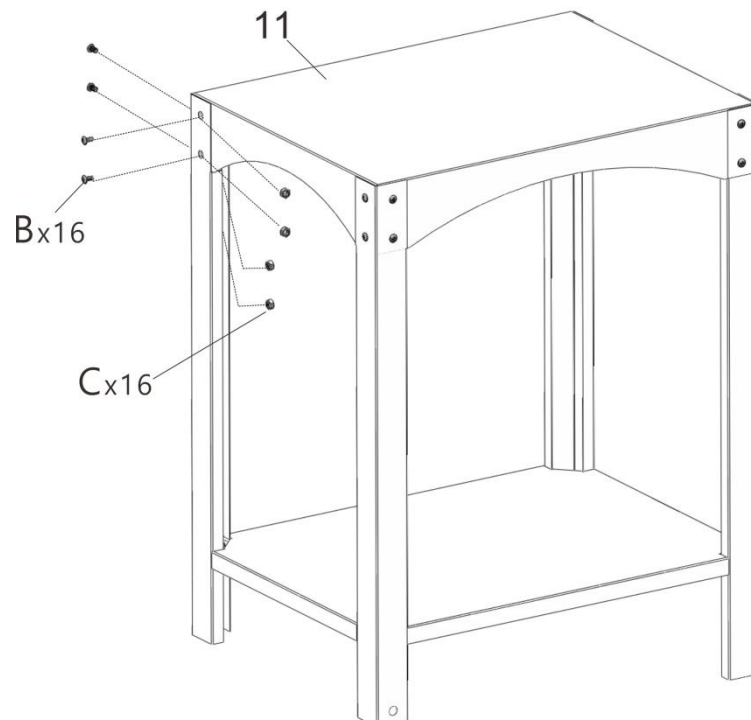
STEP 1

Assemble the Short Legs (Part 14) and Long Legs (Part 15) onto the Shelf (Part 16) as per illustration below. Use Bolt B and Nut C to secure.



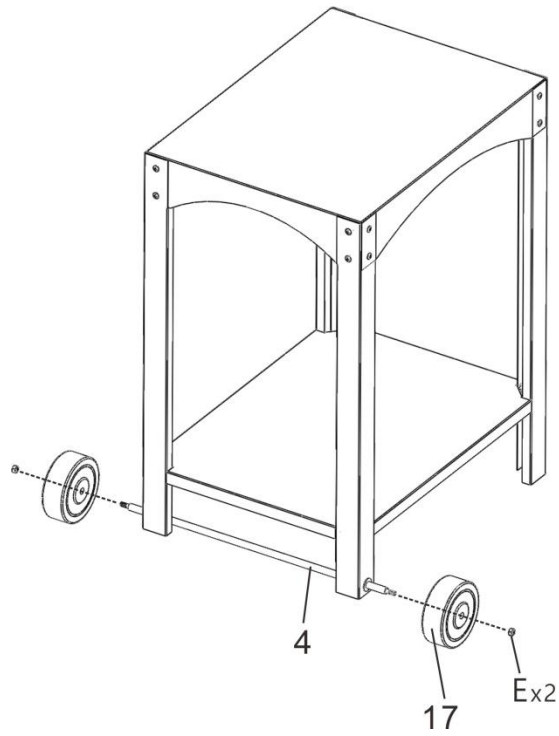
STEP 2

Assemble the Short Legs (Part 14) and Long Legs (Part 15) onto the Bottom Panel (Part 11) as per illustration below. Use Bolt B and Nut C to secure.



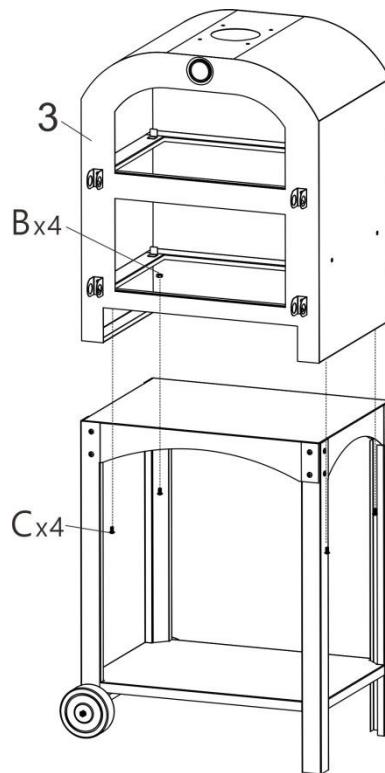
STEP 3

Assemble the Wheels (Part 17) onto the Wheel Axle (Part 4) as per illustration below. Use Nut E to secure.



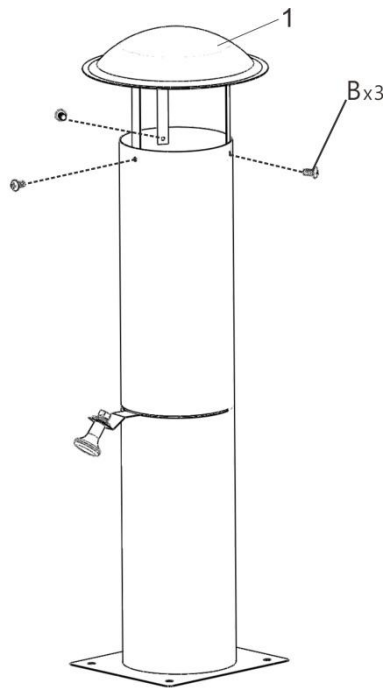
STEP 4

Assemble the Oven Body (Part 3) onto the Bottom Panel (Part 11) as per illustration below. Use Bolt B and Nut C to secure.



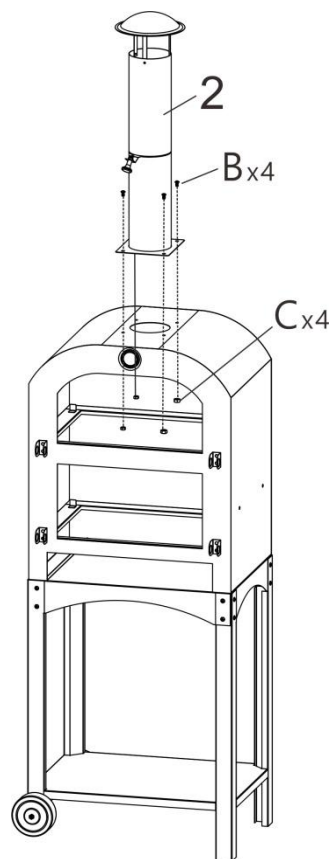
STEP 5

Install the Chimney Cover (Part 1) to the Chimney (Part 2) as per illustration below. Use Bolt B to secure.



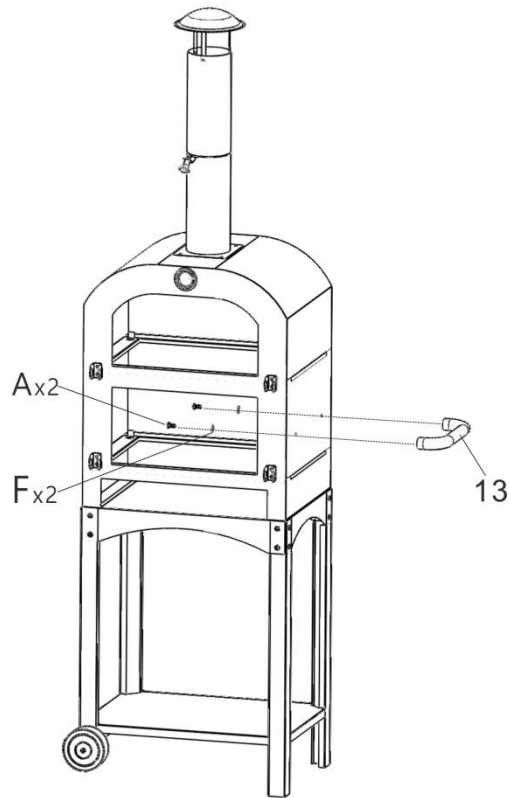
STEP 6

Install the Chimney (Part 2) onto the Oven Body (Part 3) as per illustration below. Use Bolt B and Nut C to secure.



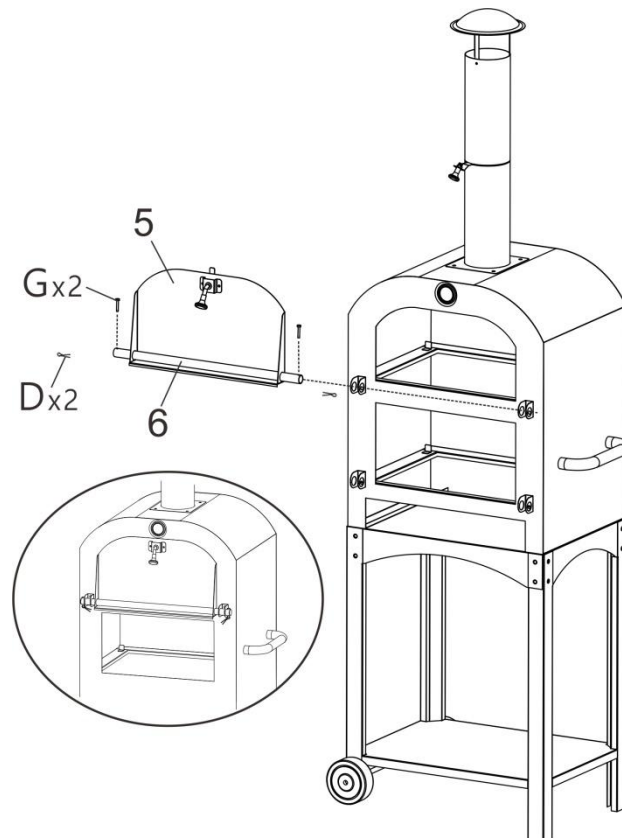
STEP 7

Install the Side Handle (Part 13) onto the Body as per illustration below. Use Bolt A and Flat Washer F to secure.



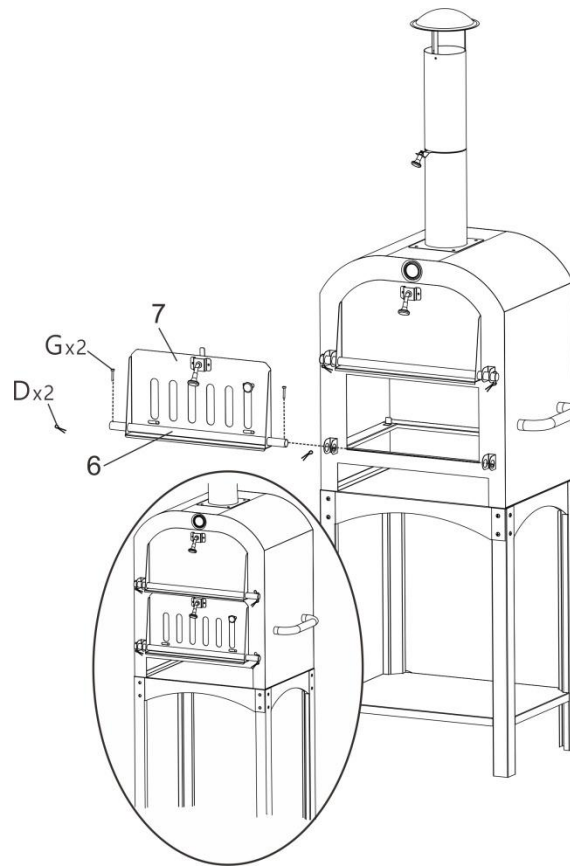
STEP 8

Assemble the Oven Door (Part 5) onto the Oven Body (Part 3) by inserting the Door Axle (Part 6) as per illustration below. Use the Cotter Pin (Part D) and Plug Pin (Part G) to secure.



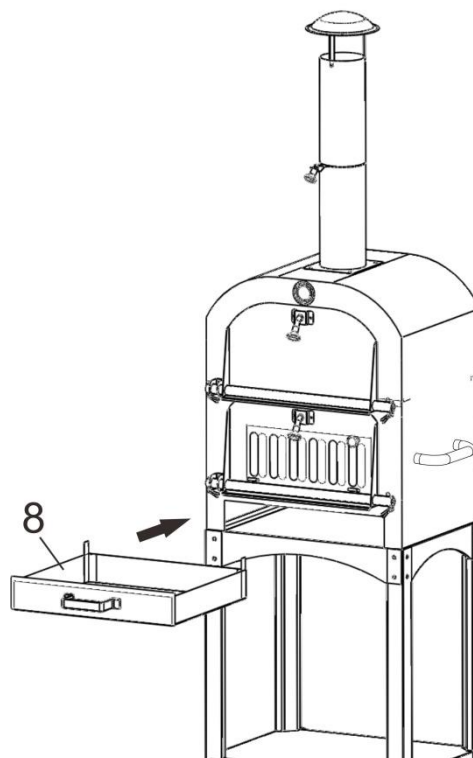
STEP 9

Assemble the Charcoal Compartment Door (Part 7) onto the Oven Body (Part 3) by inserting the Door Axle (Part 6) as per illustration below. Use the Cotter Pin (Part D) and Plug Pin (Part G) to secure.



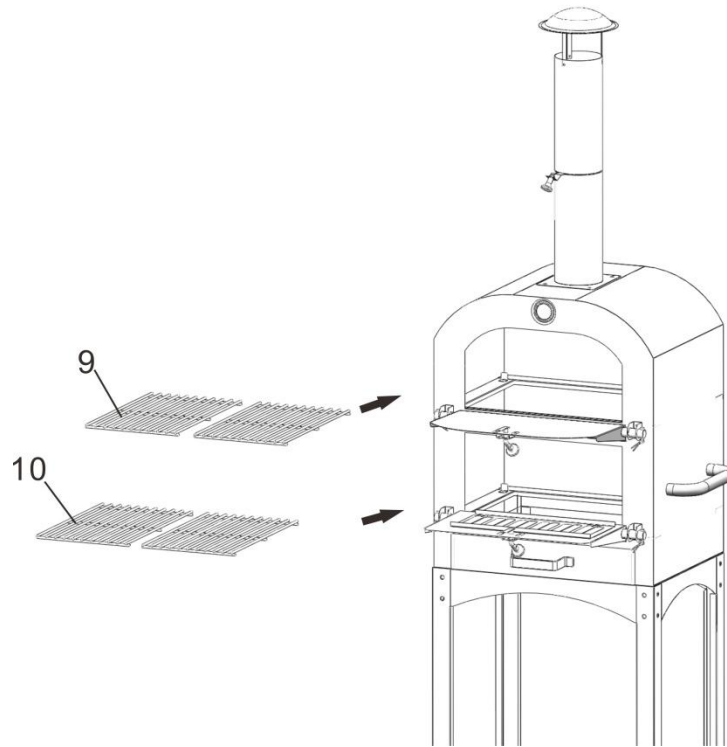
STEP 10

Place the Charcoal Drawer (Part 8) into the Oven Body (Part 3) as per illustration below.



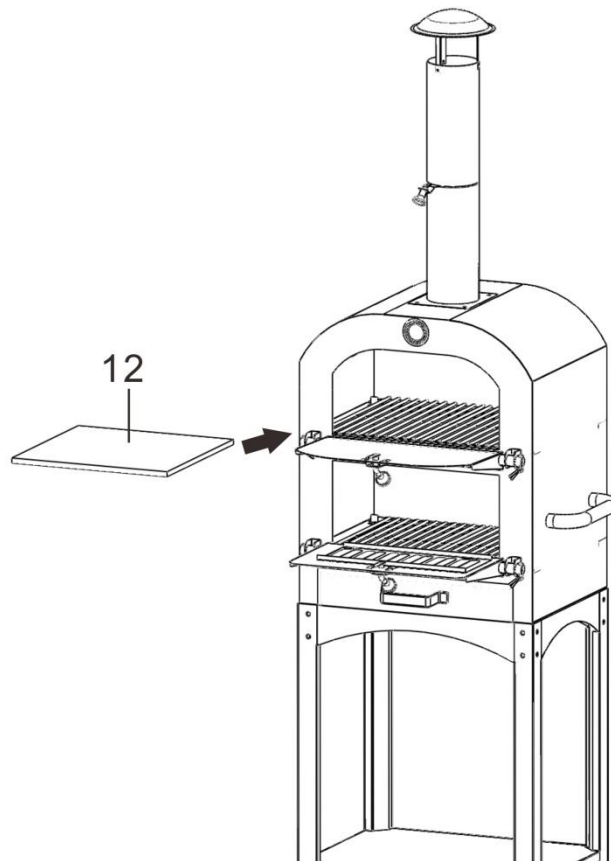
STEP 11

Place the Cooking Rack (Part 9) and Charcoal Grid (Part 10) into their respective compartments as per illustration below.

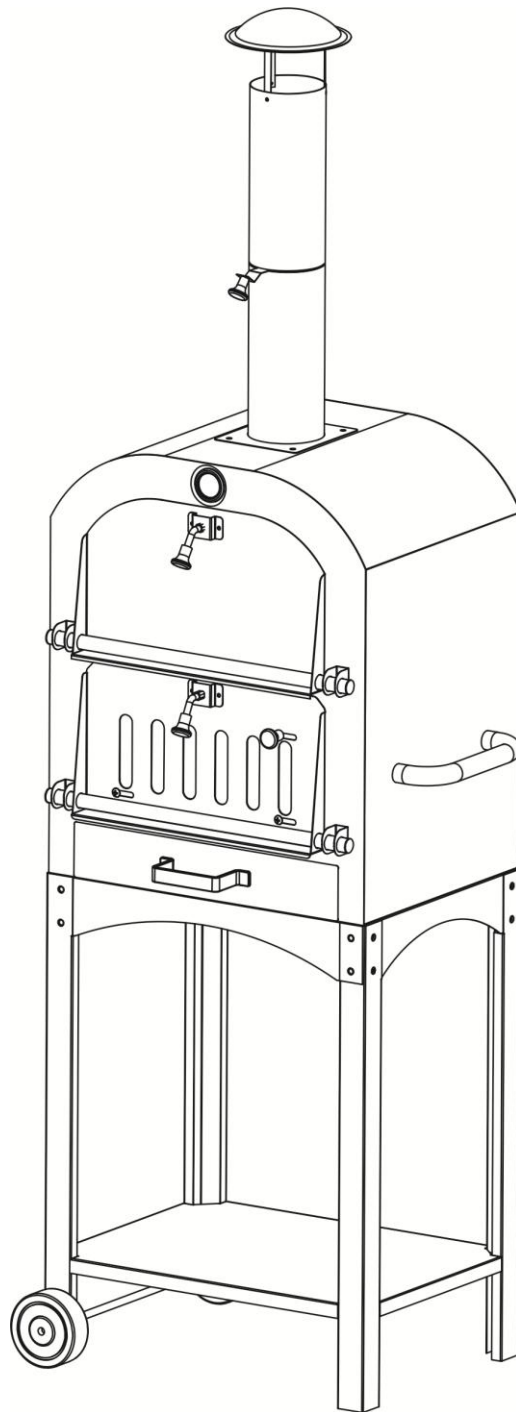


STEP 12

Place the Ceramic Stone Plate (Part 12) onto the Cooking Rack (Part 9) as per illustration below.



Fully-Assembled



Your oven is now ready for use.
Please take care when lighting your oven.
Always keep children away from this oven at all times.



WARRANTY

Thank you for purchasing one of our quality
Jumbuck Charcoal Pizza Ovens.

**YOUR JUMBUCK OVEN IS COVERED AGAINST
DEFECTS FOR A PERIOD OF 12 MONTHS FOR PARTS
AND LABOUR, REPAIR OR REPLACEMENT
THIS WARRANTY EXCLUDES SURFACE RUST AND
DAMAGE CAUSE BY ABUSE OR NEGLIGENCE**

CONDITIONS OF THE WARRANTY

- The appliance must be operated and maintained in accordance with the instructions supplied in the operating manual.
- Any repair does not extend the warranty period.
- Any parts other than original Jumbuck parts will void this warranty.

FOR WARRANTY CLAIMS

The warranty for Australia is given by :

Genesis Australia Corporation Pty Ltd
2/26 Industry St
Malaga
Western Australia 6090
AUSTRALIA
(08) 9248 9822
service@genesiscorp.com.au

Proof of purchase must be presented.

The warranty for New Zealand is given by :

Bunnings NZ Limited
PO Box 14436,
Panmure, Auckland, 1471
NEW ZEALAND
(09) 978 2200
marketing@bunnings.co.nz

Proof of purchase must be presented.

Any claims under this warranty must be made within 12 months of the date of purchase of the product.



WARRANTY

For Australian Customers

Any claim under this warranty must be made within 12 months of the date of purchase of the product. To make a claim under the warranty, please contact Genesis Australia at service@genesiscorp.com.au or return the product (with proof of purchase) to any Bunning store. Visit www.bunnings.com.au for store locations.

Genesis Australia bears reasonable, direct expenses of claiming under the warranty. You may submit details and proof to us for consideration.

The warranty covers manufacturer defects in materials, workmanship and finish under normal use.

This warranty is provided in addition to other rights and remedies you may have under law: our goods come with guarantees which cannot be excluded under the Australian Consumer Law. You are entitled to replacement or refund for a major failure and to have the goods repaired or replaced if the goods fail to be of acceptable quality and the failure does not amount to a major failure.

The warranty excludes damage resulting from product misuse or product neglect. The warranty covers domestic use only and does not apply to commercial applications.

For New Zealand Customer

Any claim under this warranty must be made within 12 months of the date of purchase of the product. To make a claim under the warranty, take the product (with proof of purchase) to any Bunnings store. Visit www.bunnings.co.nz for store locations.

Bunnings NZ Ltd bears reasonable, direct, expenses of claiming under the warranty. You may submit details and proof to our store for consideration.

The warranty covers manufacturer defects in materials, workmanship and finish under normal use.

This warranty is provided in addition to other rights and remedies you may have under law: our goods come with guarantees which cannot be excluded under the Consumer Guarantees Act 1993 (NZ). You are entitled to replacement or refund for a major failure and to compensation for other reasonably foreseeable loss or damage. You are also entitled to have the goods repaired or replaced if the goods fail to be of acceptable quality and the failure does not amount to a major failure.

Goods presented for repair may be replaced by refurbished goods of the same type rather than being repaired. Refurbished parts may be used to repair the goods.

The warranty excludes damage resulting from product misuse or product neglect. The warranty covers domestic use only and does not apply to commercial applications.



WARRANTY

WHAT IS NOT COVERED IN THE WARRANTY

- Removal or re-installation costs. This warranty does not cover costs for transit, nor in home service
- Liability will only be accepted for loss or damage during transit if at the time the product was being transported by Bunnings or a Bunnings approved contractor.
- Lack of maintenance, abuse, neglect, misuse, accidental or improper installation of this appliances
- Scratches, dents, corrosion or discoloration caused by heat, abrasive chemicals cleaners
- Corrosions or damage caused by exposure to elements such as insects, weather, hail or grease and fat fires
- Rusting of cooking grill
- Cleaning and wear and tear, service calls of this nature are chargeable
- Commercial use of this product
- Unauthorized repairs or modification during warranty period

RECORD THE FOLLOWING INFORMATION

Attached the copy of the purchase receipt here

Date of Purchase.....

Purchased From.....

Location.....

Model Name and Number.....

Serial Number.....

Receipt Number.....

Note: The serial number is located either on the outside of the packing carton or outside or inside the appliance

FOR TECHNICAL ASSISTANCE

For Australia customers if you experience any technical issues with your JUMBUCK OVEN, in the first instance review the instructions manual or contact the warranty service agent

For New Zealand customers if you experience any technical issues with your JUMBUCK OVEN, in the first instance review the instructions manual or contact your local Bunnings warehouse

FOR SPARE PARTS

Call your local Bunnings warehouse and ask them to order a part for you. You should provide the following information:

Model of OVEN

.....

Year of Purchase

.....

Name of warranty service company

.....

Part that requires replacement (refer to the parts list in the instructions manual)

.....