

BOSE79X

75cm, 9 Function, Built In Electric Oven

BLANCO



Model Code

BOSE79X

Description

75cm 9 Function Electric Oven

Accessories

Included Accessories:

- 2 x safety anti-tip shelves
- 1 x QuartzClean baking dish
- 1 x grill insert
- 1 x grill handle
- 2 x fully extendable telescopic runners
- Catalytic self-cleaning liners

Warranty

4 Year Warranty

Features

Benefits

84 Litre Capacity

The new design of the Elite Collection has delivered a larger usable space to cook those special dinners for the family.

Triple Glazed Thermo-reflective Door

The triple layered door with thermo-reflective glass offers not only a cooler to touch surface but also increases the energy efficiency as the heat is retained within the oven.

QuartzClean Enamelled Interior

Hard wearing QuartzClean enamel cavity facilitates the cleaning of the cooking chamber. The nicklefree composition allows the enamel to withstand temperatures up to 600°C whilst resisting acidic spills.

Fully Extendable Telescopic Runners

When using the telescopic runners shelves can be fully pulled out to aid loading and unloading of the oven.

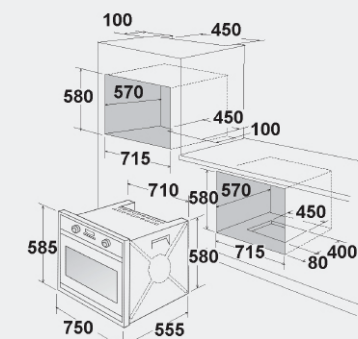
Catalytic Self-cleaning Liners

On the rear and sides of the oven, these self-cleaning liners means less time spent cleaning your oven. Catalytic liners absorb grease and dirt from everyday cooking, and then burn it off at up to about 200°C.

Fully Programmable Timer

The fully programmable touch control operation enables you to set the start and finish time of your cooking where the oven will automatically switch off when finished.

Specifications



Product Dimensions:	H585 x W750 x D555mm
Cut-out size (proudmount):	H580 x W715 x D570mm
Cut-out size (flushmount):	H588 x W753 x D570mm
Power Requirement:	220-240V – 50Hz
Electrical connection:	15 amp – cable supplied – hard wired
Oven volume:	84 litre capacity
Oven Functions:	Fan Forced, Full Grill, Fan Grill, Fan Assist, Traditional, Bottom Element, Half Grill, Bakers Function, Light
Lighting:	25 W

Oven Elements:

Grill element:	2750 W
Oven bottom element:	1250 W
Fan forced element:	2300 W
Hot air fan motor:	20-25 W
Cooling fan motor:	25 W

NOTE: It is advisable to check dimensions of physical product when measuring for installation and before doing any cut outs.

*Due to continual product development the information provided is not final and may be subject to change.