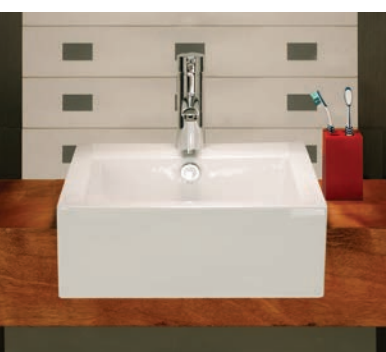


# Bathroom Collection

Vanity Units | Vitreous China Basins | Toilet Suites | Mixer Taps





# Vitreous China Basin Range

The Virtue™ by Everhard range of vitreous china basins consists of fully or semi-recessed to vessel designs, in either square, round or oval configurations - something to suit any bathroom or ensuite.

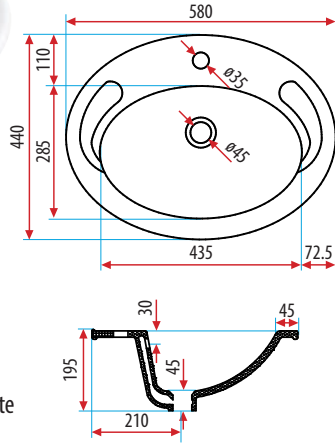
Note: Dimensions and volumes are nominal due to the nature of vitreous china. Please check the exact measurements of the product prior to beginning installation.



## Virtue™ Oval Drop In Basin

- Overflow
- 5.8L capacity
- 580 x 440 x 195mm

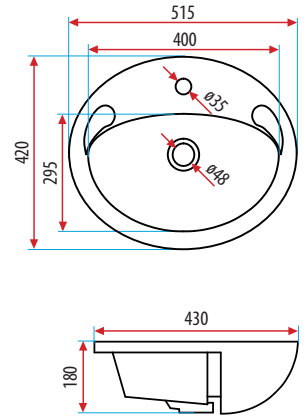
- 75115** 1TH
- 75026** 1TH with Chrome Plug & Waste
- 75027** 1TH with Chrome Pop Up Waste
- 75116** 3TH
- 75028** 3TH with with Chrome Plug & Waste
- 75029** 3TH with Chrome Pop Up Waste



## Virtue™ Oval Semi Recessed Basin

- Overflow
- 4.75L capacity
- 515 x 430 x 180mm

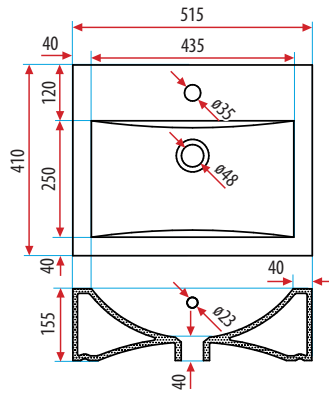
- 75102** 1TH
- 75004** 1TH with with Chrome Plug & Waste
- 75005** 1TH with Chrome Pop Up Waste
- 75103** 3TH
- 75006** 3TH with Chrome Plug & Waste
- 75007** 3TH with Chrome Pop Up Waste



## Virtue™ Square Vessel Basin

- Overflow
- 5.1L capacity
- 515 x 410 x 155mm

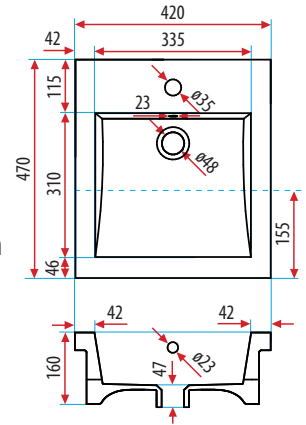
- 75104** 1TH
- 75008** 1TH with Chrome Plug & Waste
- 75009** 1TH with Chrome Pop Up Waste



## Virtue™ Square Semi Recessed Basin

- Overflow
- 4.8L capacity
- 420 x 470 x 160mm

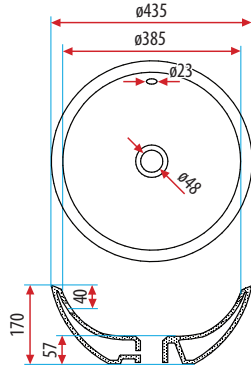
- 75105** 1TH
- 75010** 1TH with Chrome Plug & Waste
- 75011** 1TH with Chrome Pop Up Waste



## Virtue™ Round Vessel Basin

- Overflow
- 2.75L capacity
- ø435 x 170mm

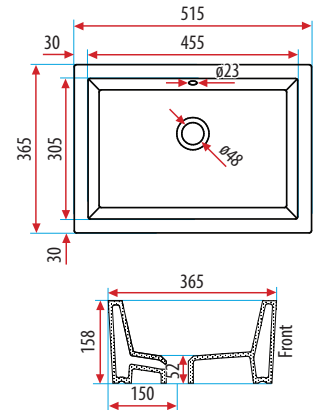
- 75106** NTH
- 75012** NTH with Chrome Plug & Waste
- 75013** NTH with Chrome Pop Up Waste



## Virtue™ Rectangle Vessel Basin

- Overflow
- 7.5L capacity
- 515 x 365 x 158mm

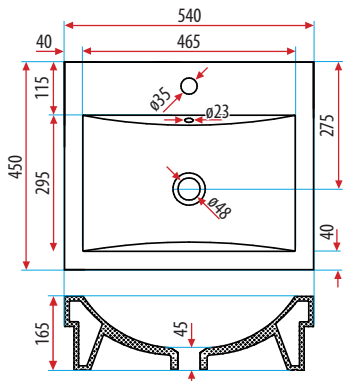
- 75111** NTH
- 75020** NTH with Chrome Plug & Waste
- 75021** NTH with Chrome Pop Up Waste



## Virtue™ Square Insert Basin

- Overflow
- 4.6L capacity
- 540 x 450 x 165mm

- 75112** 1TH
- 75022** 1TH with Chrome Plug & Waste
- 75023** 1TH with Chrome Pop Up Waste



### Chrome Pop Up Waste - 40mm

**92975**

- Overflow capabilities
- Suits 40mm waste outlets on both basins and vanity tops



### Chrome Plug and Waste - 40mm

**92974**

- Overflow capabilities
- Suits 40mm waste outlets on both basins and vanity tops

**Everhard Vitreous China Basins Manufacturer's Warranty:** 5 years replacement only (12 months replacement on plug and wastes.)

# Bathroom Tapware Range



- Hoop handle
- 40mm ceramic cartridge
- WELS approved



**Virtue™ Basin Mixer**

71464

- 70mm spout height
- 128mm spout length
- WELS: 5 Star 6.0 litres



**Virtue™ Shower/Bath Diverter**

71446

- Face = 150mm Ø
- 90mm handle length



**Virtue™ Shower Arm and Rose**

71447

- 220mm arm length
- 85mm rose width
- WELS: 3 Star or 9.0 litres



**Virtue™ Wall Mixer**

71474

- Face = Ø 150mm
- 90mm handle length



**Virtue™ Bath Spout**

71448

- 120mm spout length

## Chic™ Tap Range



- Pin handle
- 32mm ceramic cartridge
- WELS approved



**Chic™ Basin Mixer**

71455

- 110mm spout height
- 120mm spout length
- 130mm handle height
- WELS: 5 Star 6.0 litres



**Chic™ Wall Mixer**

71450

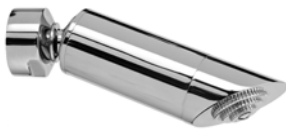
- Face = 85mm Ø
- 105mm handle length



**Chic™ Tower Mixer**

71454

- 270mm spout height
- 120mm spout length
- 280mm handle height
- WELS: 5 Star 6.0 litres



**Chic™ Shower Rose**

71452

- 150mm spout length
- WELS: 3 Star or 9.0 litres



**Chic™ Bath Spout**

71453

- 250mm spout length



**Chic™ Shower/Bath Diverter**

71451

- Face = H195 x W115mm
- 105mm handle length

## Project Tap Range



- Solid handle
- 40mm ceramic cartridge
- WELS approved



**Project Basin Mixer**

71422

- 70mm spout height
- 128mm spout length
- WELS: 5 Star 6.0 litres



**Project Wall Mixer**

71421

- Face = Ø 150mm
- 90mm handle length

### Everhard Tapware Manufacturer's Warranty:

Tapware  
1 year replacement and labour

Cartridge  
10 year replacement only

Tails  
1 year replacement and labour

For more warranty information on Everhard's range of mixer taps please call 07 5596 1883



# Toilet Suite Range

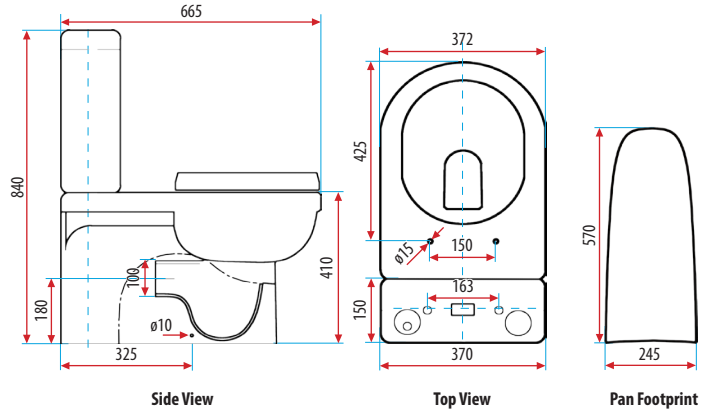
The Virtue™ by Everhard range of full vitreous china toilet suites come in close coupled in both S and P trap models, a back to wall model and a connector suite. All are solidly built, stylish and well within your budget.



## Virtue™ Back to Wall Toilet Suite

- 75502** 80mm-150mm set out
- 75503** 150mm-210mm set out

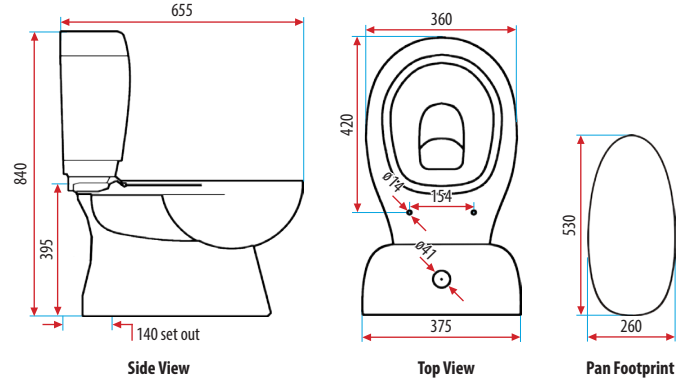
- Full vitreous china suite
- Boxed rim
- Soft closing polypropylene lid
- Quick release polypropylene seat
- Square chrome dual flush button
- Bottom Inlet RHS/LHS (Back inlet optional)
- Combination suite (S and P Trap)
- WELS 4.5/3 litre or 4 Star



## Virtue™ Close Coupled S Trap Toilet Suite

**75500**

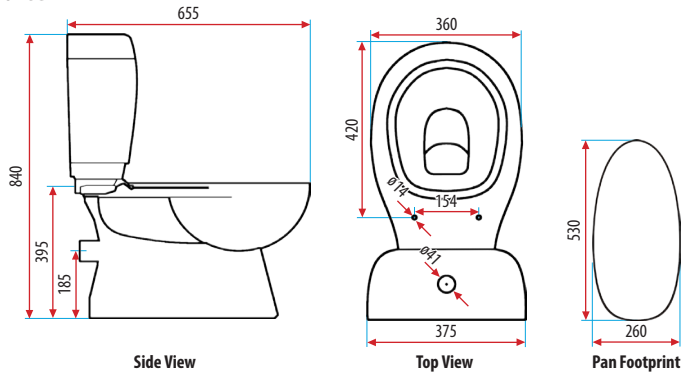
- Full vitreous china suite
- Boxed rim
- Soft closing polypropylene lid
- Quick release polypropylene seat
- Round chrome dual flush button
- Bottom inlet - right hand (left hand optional)
- 140mm maximum setout
- WELS 4.5/3 litre or 4 Star



## Virtue™ Close Coupled P Trap Toilet Suite

**75501**

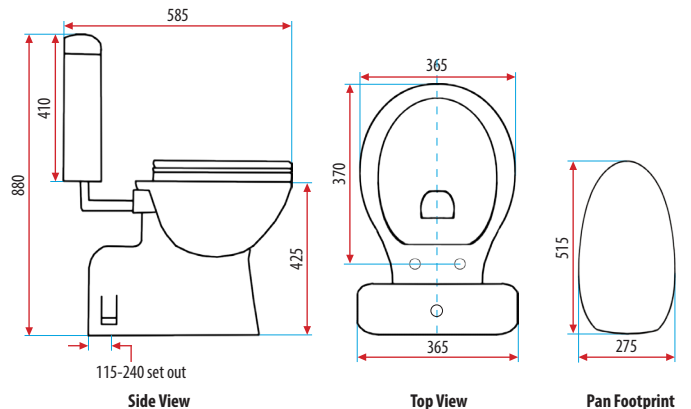
- Full vitreous china suite
- Boxed rim
- Soft closing polypropylene lid
- Quick release polypropylene seat
- Round chrome dual flush button
- Bottom inlet - right hand (left hand optional)
- 185mm outlet to floor
- WELS 4.5/3 litre or 4 Star



## Virtue™ Connector S Trap Toilet Suite

**75550**

- Full vitreous china suite
- Boxed rim
- Polypropylene seat and lid
- Round chrome dual flush button
- Bottom inlet - right hand (left hand optional)
- Set out range - 115mm-240mm
- WELS 4.5/3 litre or 4 Star



**Everhard Toilet Suite Manufacturer's Warranty:** Pan and Cistern: 5 years, Internals: 12 months, Rubber fittings: 12 months





The Virtue™ Vanity range features:

- Vitreous china top with overflow and 1 tap hole
- High gloss white cabinet with solid or glass doors
- Cabinets fitted with plinth as standard - also includes 150mm square chrome legs, and wall mount ability
- Soft closing doors and adjustable shelf
- Two drawers on most models

**Manufacturer's Warranty:** Everhard Virtue™ vanity units are covered by the following manufacturers warranty:

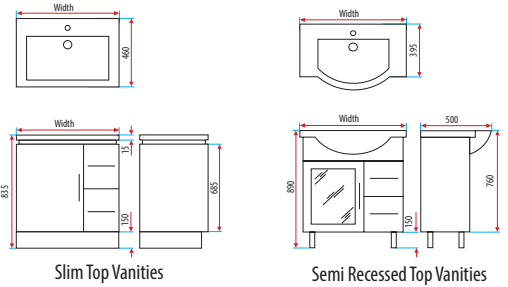
Vitreous Tops: 5 years

Cabinets: 5 years

Fittings & fixtures: 12 months



### Virtue™ Vanity Unit Dimensions



Virtue™ Vanities come with four square legs and are also available with glass doors.

### Virtue™ Square Slim Top Vanities



#### Virtue™ 600mm Slim Top Vanity Unit

Solid Doors 75320  
Glass Doors 75324

#### Virtue™ 750mm Slim Top Vanity Unit

Solid Doors RH 75321 LH 75351  
Glass Doors RH 75325 LH 75355

#### Virtue™ 900mm Slim Top Vanity Unit

Solid Doors RH 75322 LH 75352  
Glass Doors RH 75326 LH 75356

#### Virtue™ 1200mm Slim Top Vanity Unit

Solid Doors RH 75323 LH 75353  
Glass Doors RH 75327 LH 75357

### Virtue™ Semi Recessed Top Vanities



#### Virtue™ 600mm Semi Recessed Top Vanity Unit

Solid Doors 75310  
Glass Doors 75314

#### Virtue™ 750mm Semi Recessed Top Vanity Unit

Solid Doors RH 75311 LH 75361  
Glass Doors RH 75315 LH 75365

#### Virtue™ 900mm Semi Recessed Top Vanity Unit

Solid Doors RH 75312 LH 75362  
Glass Doors RH 75316 LH 75366

#### Virtue™ 1200mm Semi Recessed Top Vanity Unit

Solid Doors RH 75313 LH 75363  
Glass Doors RH 75317 LH 75367

RH = Right Hand Drawers, LH = Left Hand Drawers



The Bloom Vanity range features:

- 50mm Thick Polymarble Top with 1 tap hole
- High gloss white cabinet made from moisture resistant E1 HMR board
- 150mm plinth
- Can be wall mounted
- Finger pull doors and drawers
- Soft close doors
- Extra deep, right hand side drawers

**Manufacturer's Warranty:** All Everhard Bloom vanity units are covered by the following manufacturers warranty:

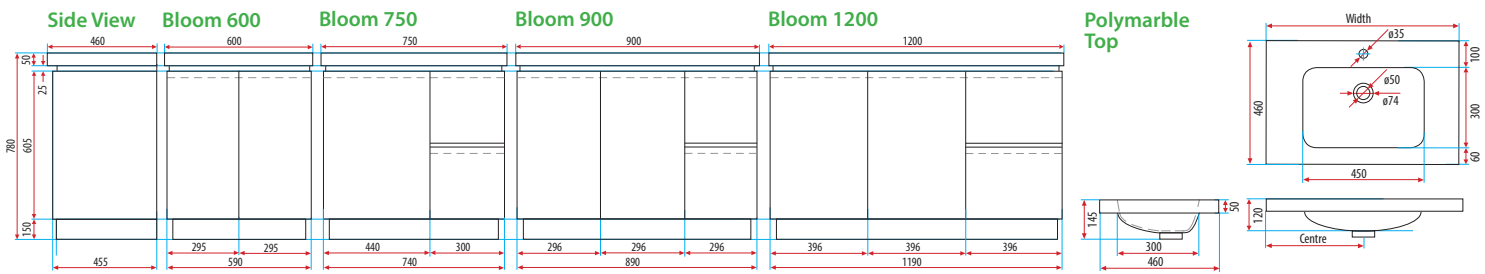
Polymarble Tops: 10 Years

Cabinet: 5 Years

Fittings & fixtures: 12 months



### Bloom Vanity Unit Dimensions



**Bloom 600mm Vanity Unit**  
77004



**Bloom 750mm Vanity Unit**  
77000



**Bloom 900mm Vanity Unit**  
77001



**Bloom 1200mm Vanity Unit**  
77006

**Product Warranty Information:** Everhard Industries Pty Ltd guarantees all products from the date of purchase against defects in material or product manufacture. Where the product is found to be defective, Everhard Industries reserves the right to repair or replace as seen necessary. This guarantee does not cover damage caused by accident or misuse of the product or incorrect installation as determined by Everhard Industries Pty Ltd or their nominated agent.

While every care has been exercised in compiling and publishing the data contained in these pages, Everhard accepts no responsibility for errors or omissions and all information is believed to be correct at the time of printing.

All colours have been reproduced with as much accuracy as possible. Dimensions and volumes are nominal. Please check the exact product measurements prior to beginning installation. Everhard reserves the right to delete or alter items without notice.



[www.everhard.com.au](http://www.everhard.com.au) | National Customer Service Number 13 1926

