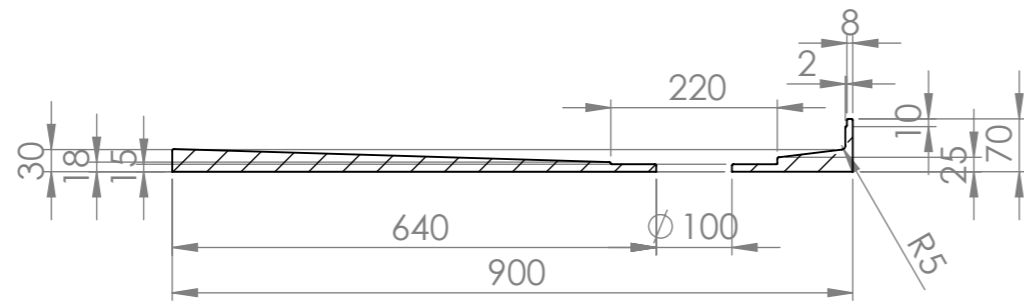
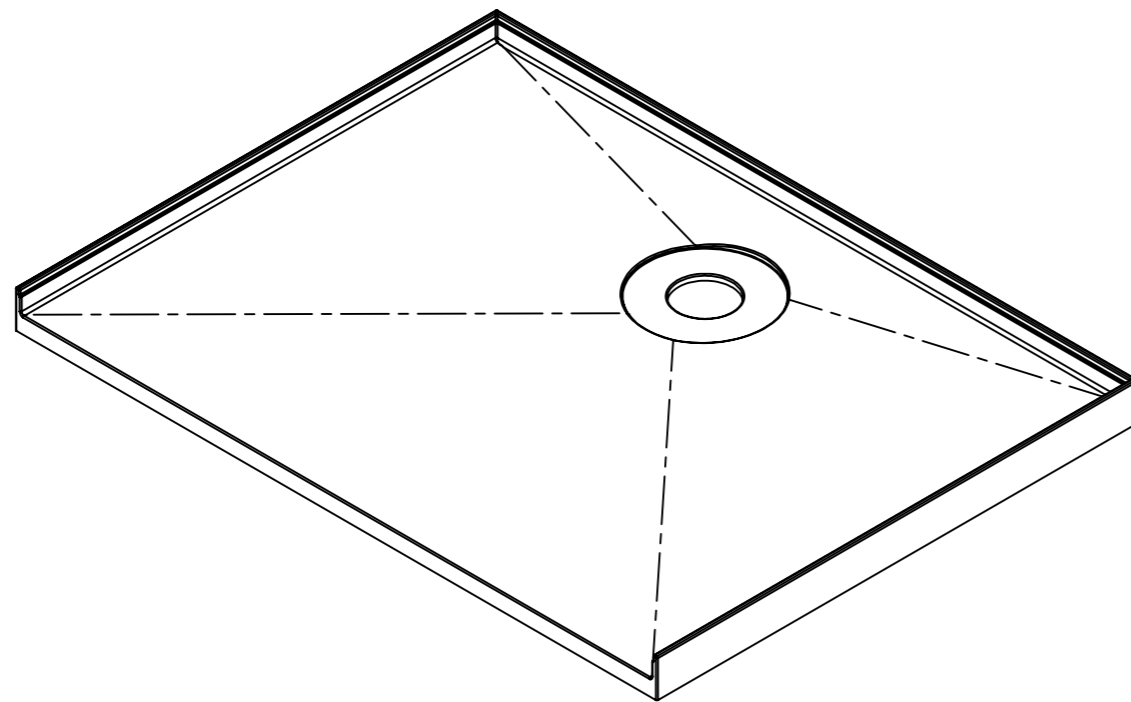


ITEM NO.	PART NUMBER	DESCRIPTION	QTY.
1	121.99.01.20	Tile-Over Tray 1200x900 Rear Outlet	1

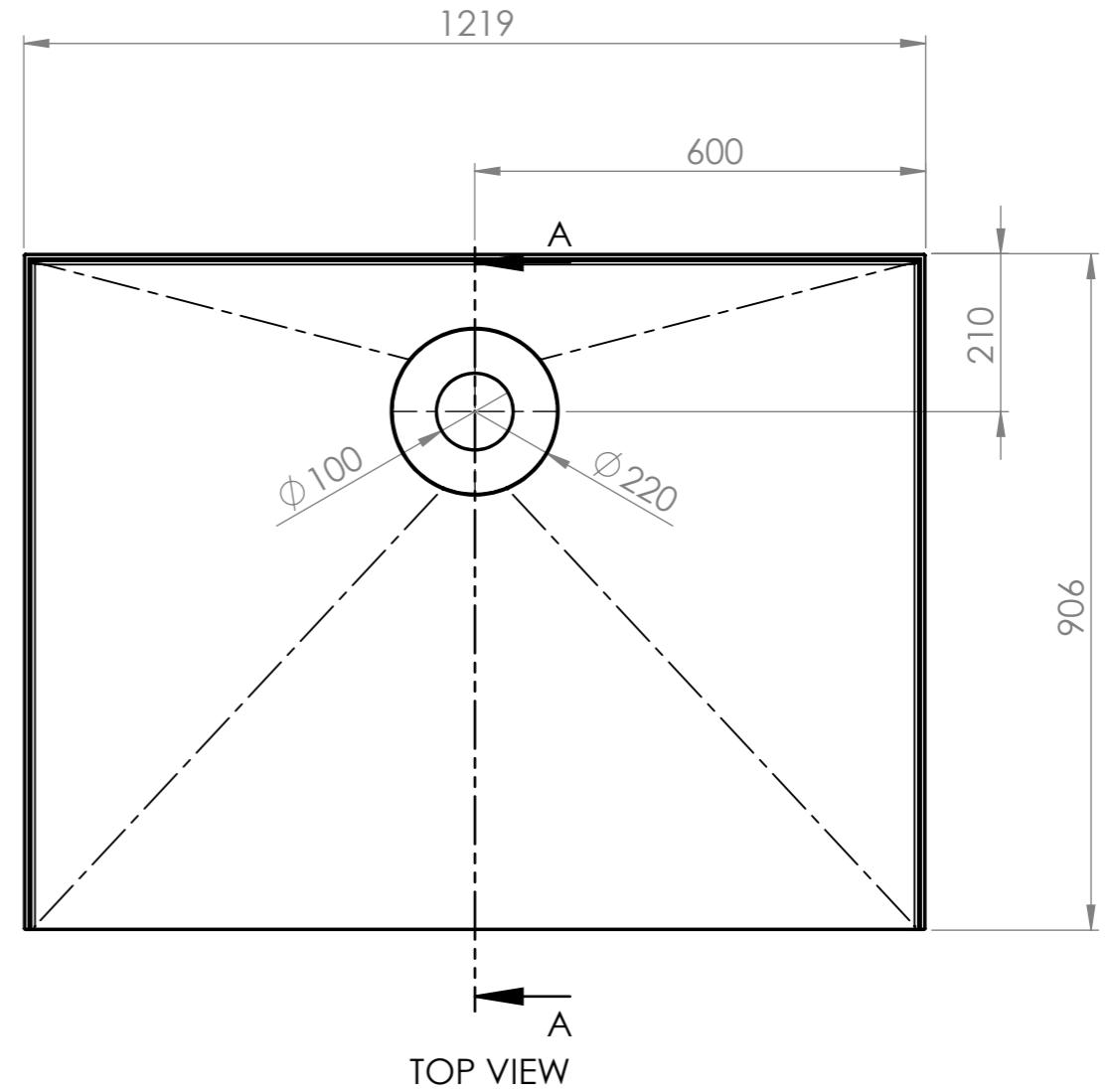


SECTION A-A


CROSS SECTION VIEW



ISOMETRIC VIEW



TOP VIEW

 Showerline 5 Kim Court North Geelong VIC 3215  Phone: 1800 688 745 Fax: n/a Email: n/a Website: www.showerline.com.au	Material:	DO NOT SCALE DRAWING		REVISION 1.0
	High Density Polyurethane	TITLE:		
	Part Number:	Tile-Over Tray 1200x900		
	121.99.01.20	Rear Outlet (3Sided)		
UNLESS OTHERWISE SPECIFIED: DIMENSIONS ARE IN MILLIMETERS SURFACE FINISH: TOLERANCES: 5mm ALL FILLETS 2mm UNLESS SPECIFIED		SIZE	DWG NO.	A3
Draw and prepared by		A	12 of 12	PAGE: 1
NAME	SIGNATURE	DATE	SCALE: 1:10	
Jason Duong		17/07/2017	This drawing and design belongs to Showerline Patent (prov.) 2012904805	

