

## 4 TIER HEAVY DUTY ADJUSTABLE SHELF 1830H x 1820W x 540Dmm POWDER COATED

### Very Important!

Unpack the unit and confirm that you have all the parts listed. Assemble the unit on a solid level surface, avoid carpet. You will need the assistance of a second person during assembly.

**You will need the following:** Rubber Mallet or Hammer.

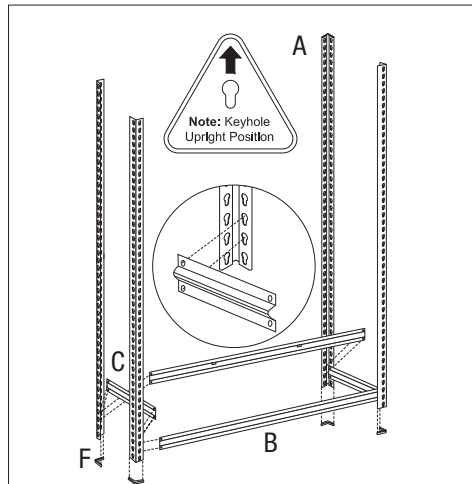
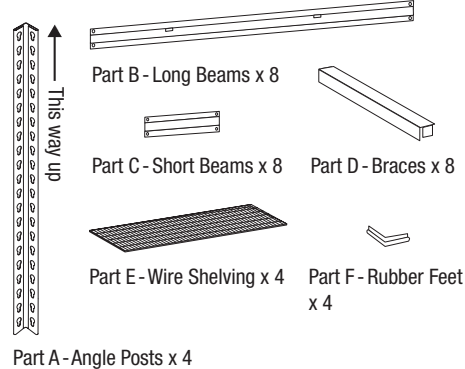
**Handy Hint:** Fix unit to wall where practical.

### SAFETY TIP:

When assembling or installing this product wear protective gloves and eyewear.

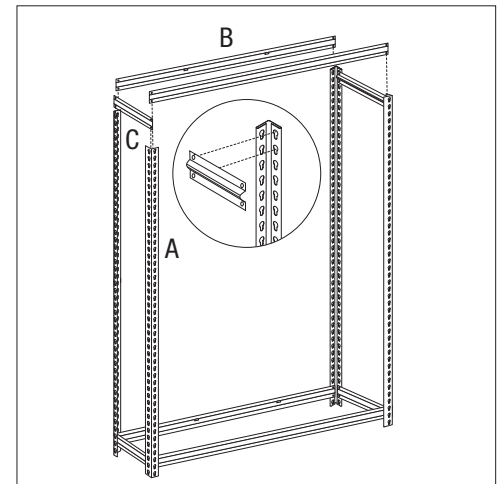
**NOTE:** This product has been tested to safely carry a load of up to 2500kg evenly distributed, when properly installed and maintained. Heaviest items to be loaded on lowest shelves.

#### Parts List



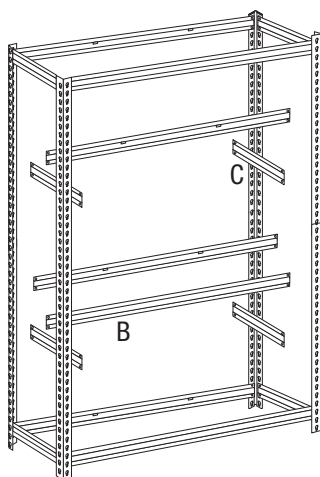
#### Step 1: Assembling bottom of frame

Add Rubber Feet (Part F) to bottom of Angle Posts (Part A). Slot Short Beams (Part C) to the bottom of the Angle Posts (Part A) as shown, followed by Long Beams (Part B) to opposing keyholes (in holes 2nd and 3rd from bottom). NOTE: Flat edges face outwards. Lock rivets to the bottom of the keyhole by tapping the Beams with a Rubber Mallet.



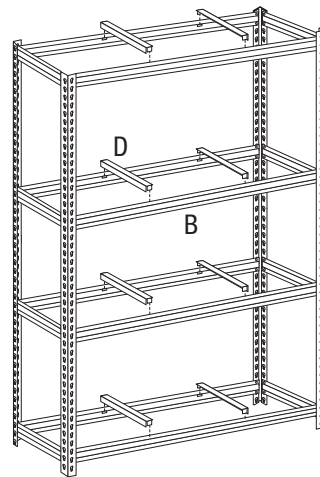
#### Step 2: Assembling remaining frame

Fasten Short Beams (Part C) to the top of the Angle Posts (Part A) as shown, followed by Long Beams (Part B) to opposing keyholes to form the frame. NOTE: Flat edges face outwards. Lock rivets to the bottom of the keyhole by tapping the Beams with a Rubber Mallet.

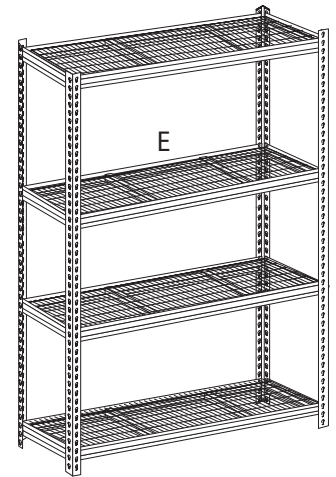


#### Step 3: Assemble remaining shelving

Assemble remaining Short Beams (Part C) and Long Beams (Part B) to your desired shelf height. As before, lock rivets to the bottom of the keyhole by tapping the Beams with a Rubber Mallet.



#### Step 4: Slot Braces (Part D) into position through the holes provided on the Long Beams (Part B).



#### Step 5: Lay the Wire Shelving (Part E) between the Beams as shown.

#### WARRANTY CONDITIONS

Any claim under this warranty must be made within 1 year of the date of purchase of the product. To make a claim under the warranty, take the product (with proof of purchase) to any Bunnings store (see [www.bunnings.com.au](http://www.bunnings.com.au) for store locations). Romak Hardware Distributors Pty Ltd bears reasonable, direct, expenses of claiming under the warranty. You may submit details and proof to our store for consideration. The warranty covers manufacturer defects in materials, workmanship and finish under normal use. This warranty is provided in addition to other rights and remedies you may have under law: our goods come with guarantees which cannot be excluded under the Australian Consumer Law. You are entitled to replacement or refund for a major failure and compensation for other reasonably foreseeable loss or damage. You are also entitled to have the goods repaired or replaced if the goods fail to be of acceptable quality and the failure does not amount to a major failure. The warranty excludes damage resulting from product misuse or product neglect. The warranty covers domestic use only and does not apply to commercial applications. This warranty is given by Romak Hardware Distributors Pty Ltd, ABN 15489950457, 177-181 Atlantic Drive, Keysborough Vic 3173, (03) 9795-6789, E-mail: [sales@romak.com.au](mailto:sales@romak.com.au). New Zealand customers please contact HARCO (Harkness & Young Ltd), 9 27 64071, Email: [sales@harknessyoung.co.nz](mailto:sales@harknessyoung.co.nz). 'Romak' is a TM. © Romak. Suitable for model number SHL001.