

# HardieFlex™ sheet



## What is it?

A smooth, flat sheet that is painted on-site to create a flat panel look.

## Where do you use it?

As an external wall cladding, eaves or soffit lining in residential single and medium-density homes, including alterations and additions, where a flat panel look is required. Ideal for full wrap or composite construction designs on either timber or light gauge steel framed homes.

## What are the key benefits?

**AFFORDABILITY.** Fast installation involving only two trades helps make HardieFlex sheet one of the most cost-effective cladding solutions available.

**DESIGN FLEXIBILITY.** It's easy to achieve a range of looks with HardieFlex sheet using battens or Scyon™ Axent™ trim vertically over sheet joints, as bold or subtle highlights over their smooth, flat surface.

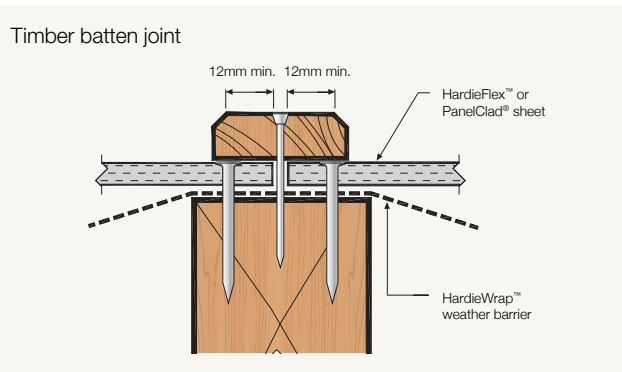
**FAST INSTALLATION.** HardieFlex sheet is lightweight and its square edges, together with the wide range of James Hardie™ accessories, make it easy and fast to install by tradespeople, owner-builders and renovators.

**VERSATILITY.** 6mm HardieFlex base sheet can also be used as bracing.\*

**SECURITY.** HardieFlex sheet is resistant to damage from termites, rot and fire.\*\*



Closeup with Scyon™ Axent™ trim batten



## What are the sizes?

Product code	Length (mm)	Width (mm)	Thickness (mm)	Mass (kg/m <sup>2</sup> )
400195	1,800	900	4.5	6.50
400189	1,800	1,200	4.5	6.50
400188	2,100	1,200	4.5	6.50
400193	2,400	900	4.5	6.50
400186	2,400	1,200	4.5	6.50
400192	2,700	900	4.5	6.50
400184	2,700	1,200	4.5	6.50
400191	3,000	900	4.5	6.50
400182	3,000	1,200	4.5	6.50
400173	1,800	1,200	6.0	8.69
400175	2,400	900	6.0	8.69
400171	2,400	1,200	6.0	8.69
400169	2,700	1,200	6.0	8.69
401970 <sup>‡</sup>	3,000	900	6.0	8.69
400167	3,000	1,200	6.0	8.69

**Selling units per pack:** 4.5mm – 60 sheets, 30 sheets per half pack;  
6.0mm – 30 sheets, 15 sheets per half pack

## What are the accessories?

Accessory	Code	Page
HardieBlade™ Saw Blade 185mm	300660	51
HardieBlade™ Saw Blade 254mm	303375	51
James Hardie™ Fibreshears	300653	53
James Hardie™ PVC Cap Mould 3,000mm x 4.5mm	305542	54
James Hardie™ PVC Cap Mould 3,000mm x 6.0mm	305543	54
James Hardie™ 45x45mm PVC Corner Angle Mould	305554	54
James Hardie™ PVC External Corner Angle for 6mm thick sheets	305544	54
James Hardie™ PVC Flashing Mould for 6mm thick sheets	305552	55
James Hardie™ PVC Internal Corner Angle for 6mm thick sheets	305545	55
James Hardie™ PVC Straight Jointer 2,400mm x 4.5mm	305538	55
James Hardie™ PVC Straight Jointer 3,000mm x 4.5mm	305541	55
James Hardie™ PVC Straight Jointer 3,000mm x 6.0mm	305546	55

**Note** All dimensions and masses provided are approximate only and subject to manufacturing tolerances. Masses are based on equilibrium moisture content of product.

\* When installed in accordance with James Hardie's *Structural Bracing Application Guide*.

\*\* When installed and maintained correctly and to the extent set out in James Hardie's published literature current at the time of installation. ‡ Available in QLD only.