

Create extra
wet rooms wherever
they're needed.



Yes. You can.

SANIFLO

Product Guide

The Saniflo range

					MODEL NUMBER	PUMPING HEIGHT	PAGE			
DOMESTIC	SANISHOWER					SA 94	4m	7		
	SANIVITE							SA 95	5m	8
	SANITOP					SA 97	5m	9		
	SANIPRO						SA 96	5m	10	
	SANI PACK						SA 99	5m	11	
	SANISLIM						SA 90	2.5m	12	
	SANIPLUS							SA 98	5m	13
	SANICUBIC 1						SA 107	11m	14	
NEW	SANIACCESS 2					SA 80	5m	15		
	SANIACCESS 3							SA 81	5m	16
	SANIACCESS PUMP							SA 79	5m	17
COMMERCIAL	SANIBEST-PRO						SA 100	7m	20	
	SANISPEED							SA 101	7m	21
	SANICOM 1							SA 102	10m	22
	SANICOM 2							SA 108	11m	23
	SANICUBIC 2 Classic							SA 105	11m	24
	SANICUBIC 2 Pro							SA 104	11m	24
	SANICONDENS PRO						SA 92	4.5m	25	
	SANICONDENS BEST						SA 93	4.5m	25	
	SANICLIM Mini						SA 110	2m	26	
	EXTRAS	SANI ALARM					ALARM I		27	

Yes. You can.

SANIFLO

Product Guide



Yes. You can. Saniflo.

A history of expertise

Established in Europe in 1958, Saniflo, with its innovative products quickly outgrew the European market. In the late 1990's, during another period of rapid growth, Saniflo expanded product lines beyond the traditional washroom fixture market.

Our achievements in Australia are a credit to our history of quality and know how. We are the established problem solver for residential, commercial, industrial or government installations in some very interesting places. If you need extra wet rooms, we have a product which has passed the test of time to make your dreams a reality.

Saniflo's extraordinary success is directly linked to the company's revolutionary macerator system. With its invention and introduction, the Saniflo macerator made it possible to install toilets and complete bathrooms anywhere in a house or an apartment. Whereas conventional plumbing places limitations on where a toilet or bathroom can be located, with Saniflo there are no such limitations. Saniflo products make renovations easy and affordable because construction is greatly simplified. There are no walls to tear down or floors to rip up; therefore no costly construction is involved.

6 good reasons for choosing Saniflo

1 OVER 50 YEARS OF EXPERTISE

The Saniflo Group as inventor, designer and manufacturer of small bore sewage macerator and grey water pumps, has been at the forefront of sanitary appliances for over 50 years.

Originating in France, it wasn't long before Saniflo had established a market place in many locations across the globe. With distribution spanning across more than 60 countries worldwide, we are now the leading brand of small bore sanitary macerators and pumps.

Our Research & Development department strive to constantly simplify our products so that installation remains hassle free, and we guarantee optimum quality in every product we produce.

2 QUALITY

Saniflo pumps and macerators are manufactured in France, and comply with the new European and International standards now in force (EN 12050-3, EN 12050-2 and EN 12050-1). Our manufacturing facility is quality certified to ISO 9901:2008 (issued by AFAQ, the French Quality Certification Association).

All Saniflo pumps also comply with Australian and New Zealand standards and carry a 2 year warranty.

3 EXTRA FACILITIES

A Saniflo macerator provides the ideal solution for installing sanitary facilities anywhere without having to engage in major structural work. Our macerating and grey waste water pumps allow you to install full kitchen, bathroom and laundry facilities where it is impossible to do so using traditional plumbing methods (e.g. remote from the sewer; in basements etc).

We have designed our pumps to be simple to install and service, however correct installation should be undertaken by a qualified installer to ensure compliance with standards and to maintain warranty.

4 QUIETER BY DESIGN

All motors are fitted on to resilient mounts that absorb the resonant vibrations when the equipment is operating. This means that the noise levels transmitted are very low.

5 MAINTAINING YOUR SANIFLO PUMP

A Saniflo installation is almost maintenance free (apart from descaling which may be a scheduled maintenance needed depending on water hardness levels).

To descale, disconnect the unit from the electricity supply and pour a dose of descaling product (e.g. 1/2 litre white vinegar) into the bowl, diluted in 6 litres of water; Leave to soak for 1-2 hours and then reconnect the unit to the electricity supply. To complete, flush the toilet.

Our macerators should only be used for evacuation of normal WC organic waste, toilet papers and household WC cleaners.

Items such as cotton wool, sanitary products, wet wipes, hard objects, paints, oils, solvents and other chemicals should not be evacuated through the Saniflo units as they may damage the unit.

6 PEACE OF MIND

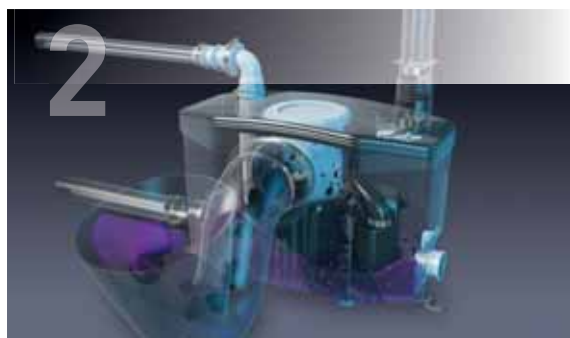
Via our network of subsidiaries and exclusive distributors, Saniflo provides After-Sales Service in all countries where our macerators and pumps are sold.



Operating principles of the Saniflo system



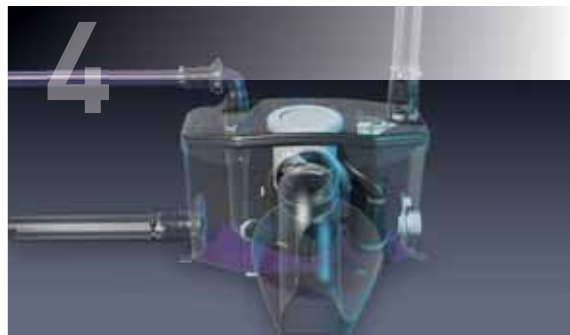
1 When the toilet is flushed the water level rises and the Saniflo pump operates automatically.



2 The blades, driven by the motor, dilacerate the contents into tiny particles, forming a fine slurry in seconds.



3 The resultant slurry is pumped out via the impeller on the bottom of the motor, through a pipe of just 20-25 mm in diameter, then stops automatically.



4 The unit is empty (apart from the water seal) and the system is ready for use again.



To access Saniflo installation tips, scan this QR Code with your smart phone app.

NB: Our pumping systems are designed for the disposal of normal organic waste product, water or paper. They are not intended to replace kitchen waste or sanitary waste disposal units and grease traps. Our pumps are ideally suited to domestic (e.g. family of 6 to 8) or light commercial applications. **Where intensive usage, high temperature wastes or un-policed public access is likely, we recommend that our Commercial range is used.** Our grey water products are designed to pump waste to drains in accordance with waste regulations. Accordingly, they should be installed after a grease trap and not instead of one. As our policy is one of continuous product improvement we reserve the right to alter product specification and price without notice. All information in this publication is given in good faith. No responsibility can be accepted for any errors, omissions or incorrect assumptions. Illustrations are diagrammatic and should be regarded only as indicative of technical requirements. All vertical pumping distances are measured from base of unit.

Grey Water Pump

Macerator Pump



Should I use a grey water or macerator pump?

GREY WATER PUMPS

Grey waste water is produced from general domestic and office processes such as dish or glass washing, bathing and laundry duties.

Our grey waste water pump range is ideal for renovating either your home or office, as each pump allows you to install additional facilities such as kitchens, kitchenettes, laundries, and even shower and wash facilities anywhere you choose, even if it's remote from or below the existing sewer line.

With the ability to pump grey waste water without the need to rely on traditional gravity fed plumbing methods, you won't need to cut concrete, or interrupt your neighbours in an office or apartment situation, as waste lines can be concealed in wall cavities and ceiling voids.

MACERATOR PUMPS

If locating a toilet in your project, then a macerator pump should be used. A macerator is a high speed motor with blades that dilacerate organic waste and paper matter into a fine slurry so that it can be evacuated through small bore pipe work.

With a range of macerating pumps capable of accepting waste from 2, 3, 4 or even 5 fixtures, your renovations won't rely on any major structural work as Saniflo pumps can be installed on top of any finished floor; even if it is located below the existing sewer lines.

Recent times have seen major technological improvements on our products, based on hydraulic efficiency and noise reduction so that the macerator pumps in operation are almost imperceptible.

If you plan on installing just grey water fixtures such as a kitchen or laundry, or even a shower or powder room, then the grey waste water pumps will be ideal. If you want an additional toilet to make life easier then use a macerating pump which can also accept grey waste water for additional fixtures such as vanity basin, shower or bath.

Whatever your project is, you'll find that Saniflo makes plumbing smarter, easier and more efficient than ever before.

BEFORE

AFTER

NEW

Introducing

SANIACCESS



*Image shown with exposed pipes for illustrative purposes only.

Installing an extra toilet or bathroom in sheds, man caves, attics or just in an area far away from the sewer line has always been easy, thanks to Saniflo Macerator pumps. Now service will also be easier and faster with the new SANIACCESS.



Scan to access Saniflo installation video.

The Saniaccess, with its four inlets, will allow anyone to install a complete bathroom anywhere they want. It has two removable panels on top that will make it the easiest and fastest product to service on the market:

- The first panel provides direct access to electrical components of the macerating unit allowing easy inspection and servicing of all major parts.
- The second panel provides ready access to the basket area around the macerating blades for easy removal of any foreign objects that may have been accidentally flushed.

Periodic maintenance can be accomplished quicker and easier than ever, without having to disconnect the unit from either the toilet or the rest of the plumbing system!

The Saniaccess will macerate and pump out the waste of a complete bathroom up to 5 meters high or up to 100 meters away from the sewer line. All the waste will run through a 20mm pipe to reach the nearest sewer line, which avoids any major work. Saniaccess can handle the wastewater from a toilet, basin, bath and shower.

The Saniflo domestic range

Renovations made easy with Saniflo. Create an additional WC, bathroom, laundry or kitchen anywhere in your home.

Imagine the flexibility of designing without restrictions. Now, when thinking about your renovation, you can maximise your design by positioning additional wet facilities anywhere you choose, cost effectively and easily.

With a Saniflo small bore pumping system, you can create real luxury and value for your home without the restraints that traditional plumbing methods pose. Install an additional bathroom, ensuite or toilet away from the sewer lines, on concrete flooring, under the stairs, in the garage and even in a basement.

Avoid the hassles of moving by creating the home you want. Quickly and cost effectively, without the need to core cut concrete or walls.

DOMESTIC
RENOVATIONS
MADE EASY WITH
SANIFLO



- ADDITIONAL BATHROOMS
- UNDER STAIRS POWDER ROOMS
- LOFT OR ATTIC CONVERSIONS
- BASEMENT CONVERSIONS
- GARAGE CONVERSIONS
- LAUNDRIES



LUXURY APARTMENT RENOVATION case study:

“I was told it couldn’t be done. Luckily, Saniflo had the answer.”



When old or historical buildings are refurbished, relocating facilities can be both difficult and challenging, especially when sewer systems are located on the opposite side of the building.

This was the challenge that faced Ray Fox, whose 4th floor apartment is located off fashionable Flinders Lane in Melbourne.

“Our immediate problem was created because we wanted to locate all our bathroom, laundry and kitchen away from the main sewer line connection point. This prevented us from running all the waste pipes on gravity to the sewer since building regulation prohibited us from coring into the concrete floor,” explains Ray.

“After inspection by the Saniflo servicing division, it was recommended that two products were needed to effectively and efficiently pump the waste out. Sanivite for the kitchen and laundry areas and Sanipro for the bathroom were identified as the two preferred models to undertake this task,” explains John Fraser (Saniflo service manager).

“As waste water can be pumped through small-bore 20/25mm diameter pressure pipe, vertically up to 5 metres or horizontally up to 100 metres there was no need to cut up concrete or use large diameter pipes, in Ray’s apartment,” adds John.

“I’ve found both Saniflo products to be highly efficient and effective,” concludes Ray, “it’s been a very reliable solution.”

With over seven million units sold worldwide and over 50 years experience in delivering innovative plumbing solutions, Saniflo products allow anyone to incorporate bathroom fixtures, laundry rooms or kitchens virtually anywhere without any major construction work.



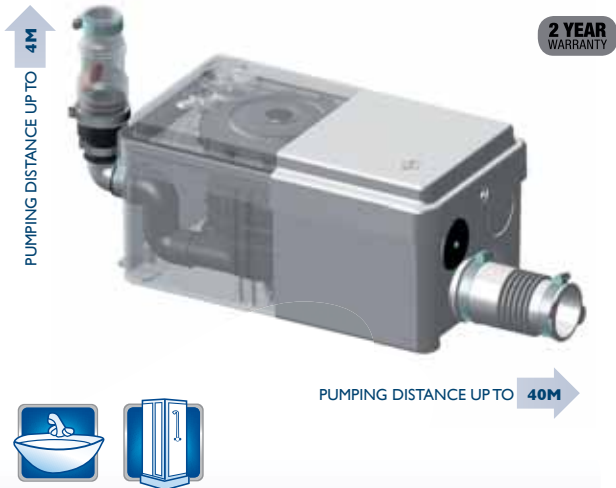
Yes. You can.

SANIFLO

SANISHOWER

SA 94

The low profile design enables the SANISHOWER to be integrated under a shower tray or discreetly into a cabinet. Perfect for installing a shower and vanity.



POSSIBLE CONNECTIONS

Shower, vanity basin

VERTICAL PUMPING HEIGHT

Up to 4m

HORIZONTAL PUMPING DISTANCE

Up to 40m (refer to pumping graph below)

RECOMMENDED WASTE PIPE DIAMETER

20mm uPVC Pressure Pipe

NORMAL OPERATING TEMPERATURE

35°C and max 40°C for short period of time

ELECTRICAL POWER SUPPLY

220-240V / 50Hz

MOTOR POWER RATING

250W

OVERALL MEASUREMENTS (W x H x D)

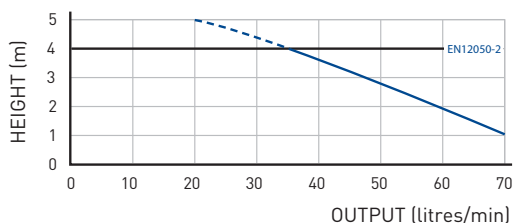
296 x 145 x 165mm

ACCESSORIES

- Factory pre mounted non return valve (supplied) (Isolation valve not supplied)

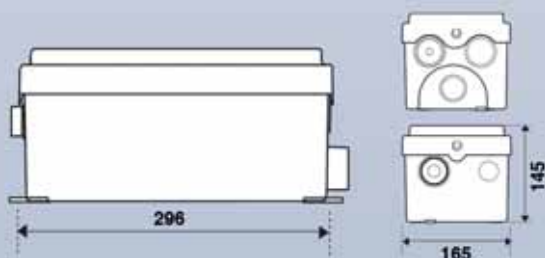
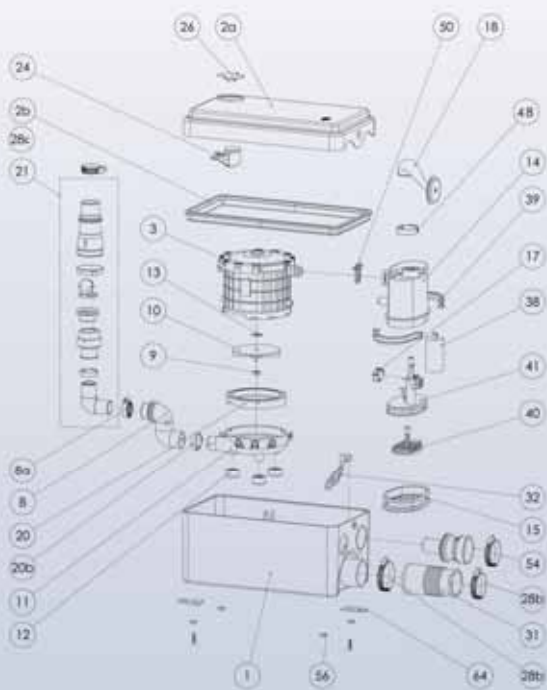
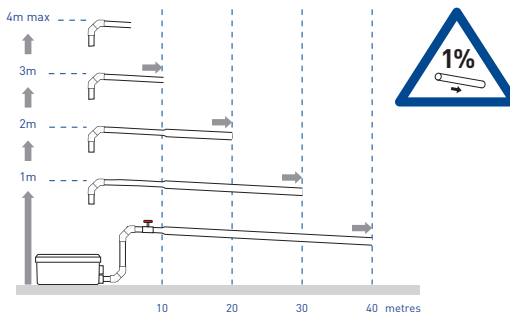
All horizontal pipework requires a minimum of 1:100 fall

FLOW RATE PERFORMANCE



PUMPING DISTANCE PERFORMANCE

Increase size of horizontal run by one pipe size after 5m



SANIVITE

SA 95

SANIVITE is the perfect solution for installing a complete kitchen or laundry anywhere you choose.

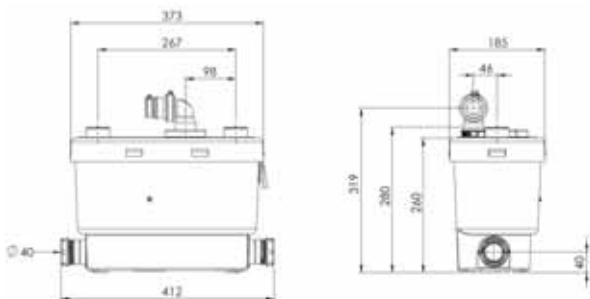
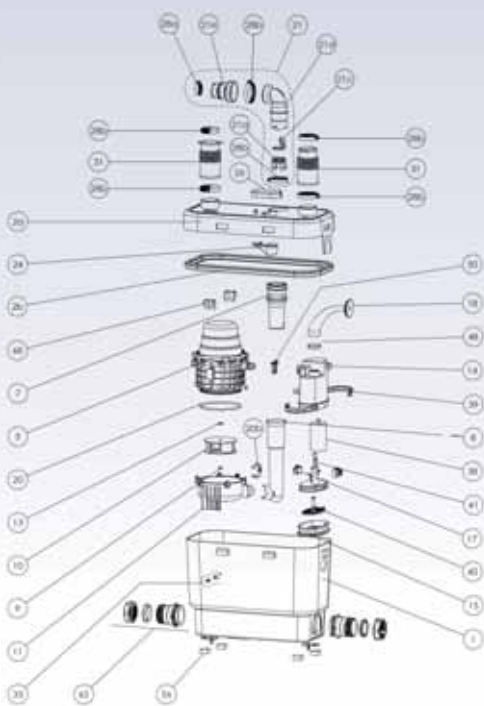
PUMPING DISTANCE UP TO **5M**



2 YEAR WARRANTY



PUMPING DISTANCE UP TO **50M**



POSSIBLE CONNECTIONS

Dishwasher; washing machine, shower; vanity basin, bath, kitchen sink

VERTICAL PUMPING HEIGHT

Up to 5m

HORIZONTAL PUMPING DISTANCE

Up to 50m (refer to pumping graph below)

RECOMMENDED WASTE PIPE DIAMETER

25mm uPVC Pressure Pipe

NORMAL OPERATING TEMPERATURE

35°C and max 60°C for short periods

ELECTRICAL POWER SUPPLY

220-240V / 50Hz

MOTOR POWER RATING

400W

OVERALL MEASUREMENTS (W x H x D)

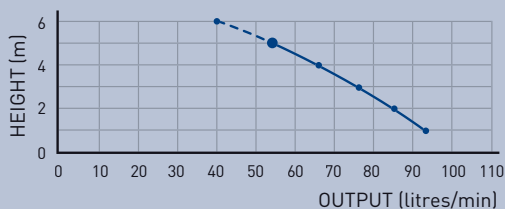
373 x 275 x 185mm

ACCESSORIES

- Factory pre mounted non return valve (supplied)
- Can be equipped with SaniAlarm (sold separately)

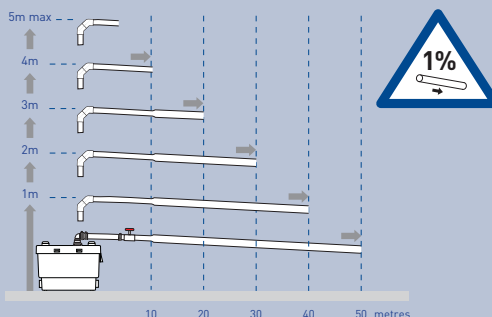
All horizontal pipework requires a minimum of 1:100 fall

FLOW RATE PERFORMANCE



PUMPING DISTANCE PERFORMANCE

Increase size of horizontal run by one pipe size after 5m



SANITOP has a powerful macerator that makes it perfect for installing an additional WC and wash basin where access to the main sewer is impractical.

PUMPING DISTANCE UP TO 5M

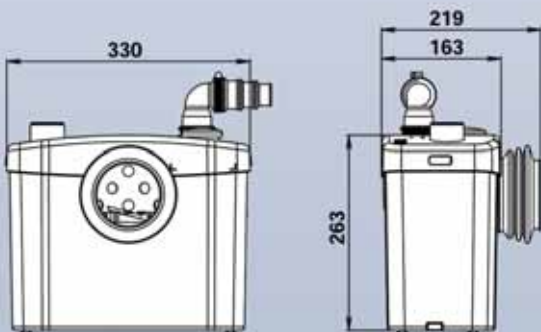
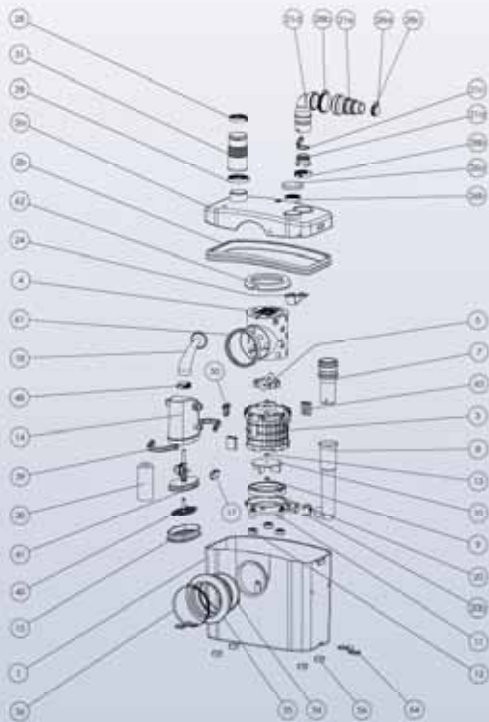


2 YEAR WARRANTY



Super quiet

PUMPING DISTANCE UP TO 100M



*Image shown with exposed pipes for illustrative purposes only.

POSSIBLE CONNECTIONS

WC, vanity basin

VERTICAL PUMPING HEIGHT

Up to 5m

HORIZONTAL PUMPING DISTANCE

Up to 100m (refer to pumping graph below)

RECOMMENDED WASTE PIPE DIAMETER

20mm uPVC Pressure Pipe

NORMAL OPERATING TEMPERATURE

35°C

ELECTRICAL POWER SUPPLY

220-240V / 50Hz

MOTOR POWER RATING

400W

OVERALL MEASUREMENTS (W x H x D)

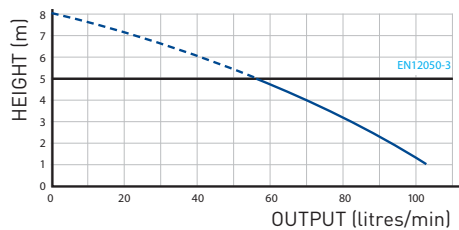
330 x 263 x 163mm

ACCESSORIES

- Factory pre mounted non return valve (supplied)
- Can be equipped with SaniAlarm (sold separately) (Isolation valve not supplied)

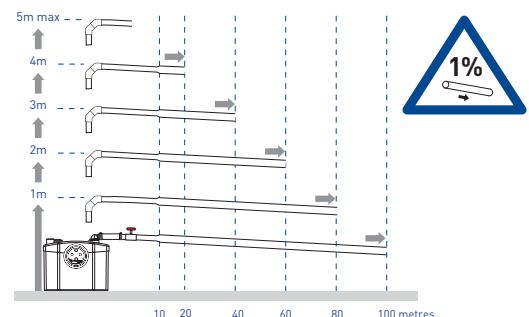
All horizontal pipework requires a minimum of 1:100 fall

FLOW RATE PERFORMANCE



PUMPING DISTANCE PERFORMANCE

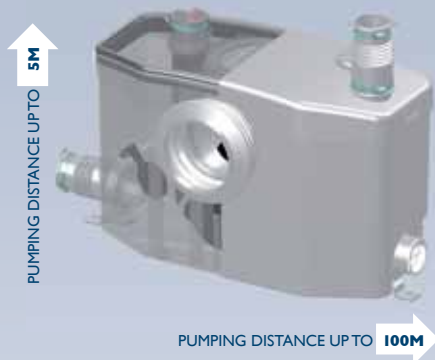
Increase size of horizontal run by one pipe size after 5m



SANIPRO

SA 96

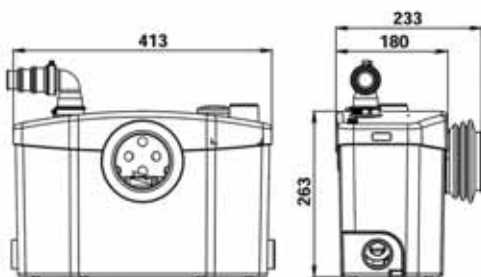
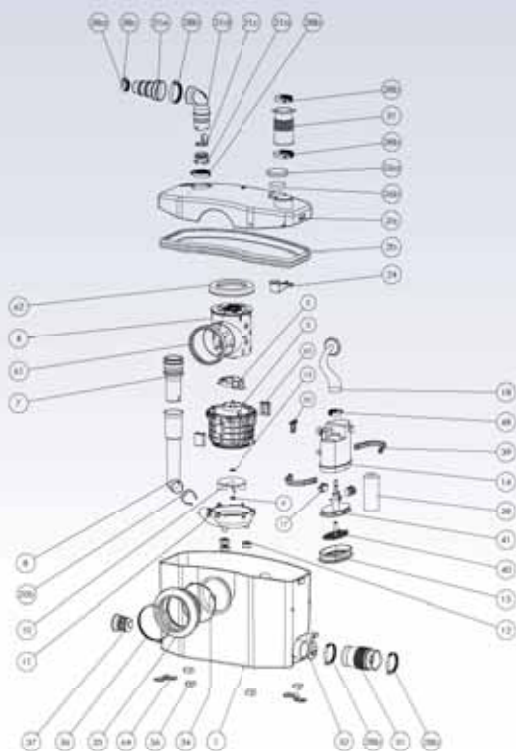
SANIPRO has a more efficient (eco-wise) motor that can lift waste vertically up to 5m or horizontally up to 100m. Perfect for installing a toilet, vanity basin and shower.



2 YEAR WARRANTY



Super quiet



*Image shown with exposed pipes for illustrative purposes only.

POSSIBLE CONNECTIONS

WC, vanity basin, shower;

VERTICAL PUMPING HEIGHT

Up to 5m

HORIZONTAL PUMPING DISTANCE

Up to 100m (refer to pumping graph below)

RECOMMENDED WASTE PIPE DIAMETER

20mm uPVC Pressure Pipe

NORMAL OPERATING TEMPERATURE

35°C

ELECTRICAL POWER SUPPLY

220-240V / 50Hz

MOTOR POWER RATING

400W

OVERALL MEASUREMENTS (W x H x D)

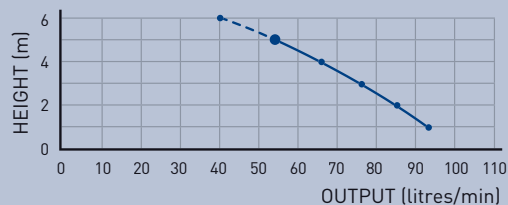
413 x 263 x 180mm

ACCESSORIES

- Factory pre mounted non return valve (supplied)
- Can be equipped with SaniAlarm (sold separately) (Isolation valve not supplied)

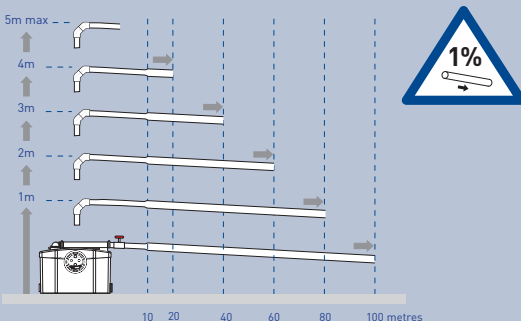
All horizontal pipework requires a minimum of 1:100 fall

FLOW RATE PERFORMANCE



PUMPING DISTANCE PERFORMANCE

Increase size of horizontal run by one pipe size after 5m



Coming in at a remarkably slim 146mm depth, SANIPACK has been designed to be located in a wall cavity in order to install facilities in a very discreet way. **For wall hung WC only.**

PUMPING DISTANCE UP TO **5M**



2 YEAR WARRANTY



PUMPING DISTANCE UP TO **100M**



POSSIBLE CONNECTIONS

Wall hung WC, vanity basin, shower;

VERTICAL PUMPING HEIGHT

Up to 5m

HORIZONTAL PUMPING DISTANCE

Up to 100m (refer to pumping graph below)

RECOMMENDED WASTE PIPE DIAMETER

20mm uPVC Pressure Pipe

NORMAL OPERATING TEMPERATURE

35°C

ELECTRICAL POWER SUPPLY

220-240V / 50Hz

MOTOR POWER RATING

400W

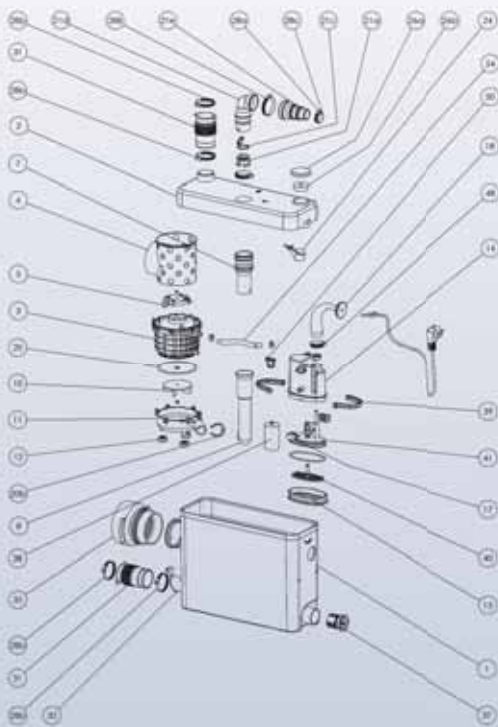
OVERALL MEASUREMENTS (W x H x D)

401 x 295 x 146mm

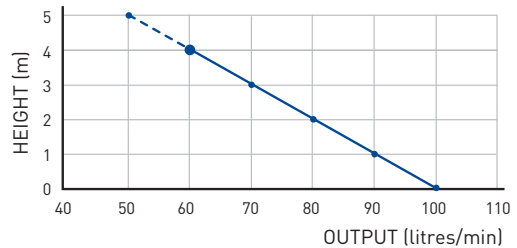
ACCESSORIES

- Factory pre mounted non return valve (supplied)
- Can be equipped with SaniAlarm (sold separately) (Isolation valve not supplied)

All horizontal pipework requires a minimum of 1:100 fall

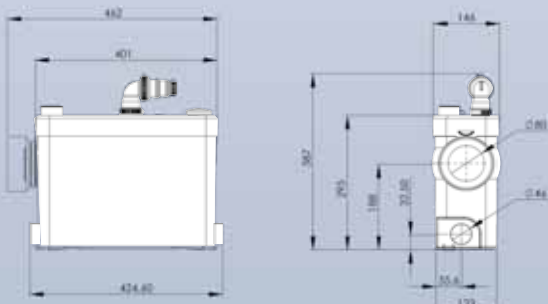
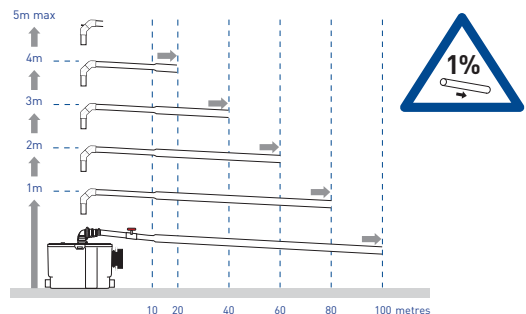


FLOW RATE PERFORMANCE



PUMPING DISTANCE PERFORMANCE

Increase size of horizontal run by one pipe size after 5m



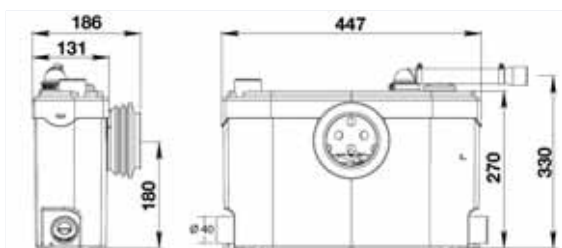
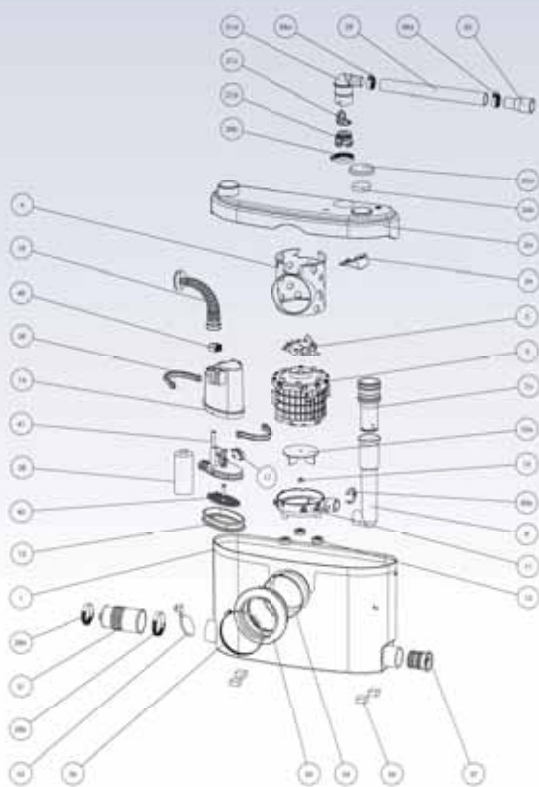
SANISLIM

SA 90

SANISLIM has been designed to accommodate today's slimline sanitary ware, and will take the waste from a WC, vanity basin and shower up to a height of 2.5 metres.



PUMPING DISTANCE UP TO **40M**



*Image shown with exposed pipes for illustrative purposes only.

POSSIBLE CONNECTIONS

WC, vanity basin, shower

VERTICAL PUMPING HEIGHT

Up to 2.5m

HORIZONTAL PUMPING DISTANCE

Up to 40m (refer to pumping graph below)

RECOMMENDED WASTE PIPE DIAMETER

20mm uPVC Pressure Pipe

NORMAL OPERATING TEMPERATURE

35°C

ELECTRICAL POWER SUPPLY

220-240V / 50Hz

MOTOR POWER RATING

400W

OVERALL MEASUREMENTS (W x H x D)

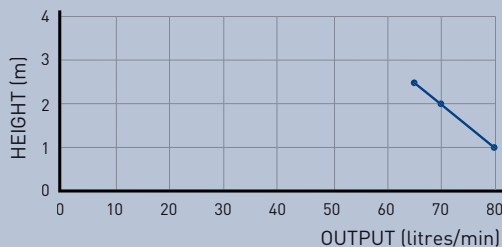
447 x 270 x 131mm

ACCESSORIES

- Factory pre mounted non return valve (supplied)
- Can be equipped with SaniAlarm (sold separately) (Isolation valve not supplied)

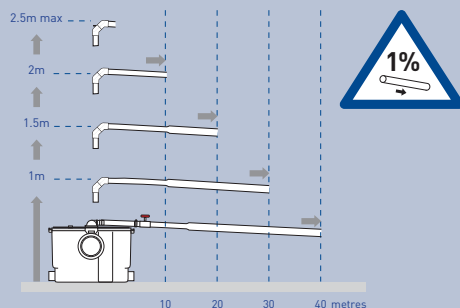
All horizontal pipework requires a minimum of 1:100 fall

FLOW RATE PERFORMANCE



PUMPING DISTANCE PERFORMANCE

Increase size of horizontal run by one pipe size after 5m



SANIPLUS is a high capacity unit that will enable you to install a full bathroom on any finished floor. Its durable motor will enable long term and reliable running.

PUMPING DISTANCE UP TO **5M**

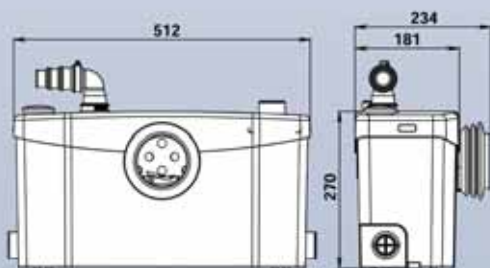
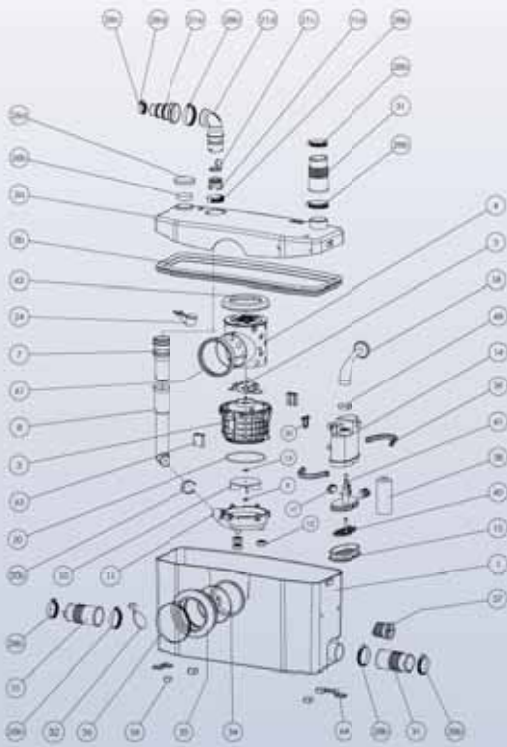


2 YEAR WARRANTY



Super quiet

PUMPING DISTANCE UP TO **100M**



*Image shown with exposed pipes for illustrative purposes only.

POSSIBLE CONNECTIONS

WC, vanity basin, shower, bath

VERTICAL PUMPING HEIGHT

Up to 5m

HORIZONTAL PUMPING DISTANCE

Up to 100m (refer to pumping graph below)

RECOMMENDED WASTE PIPE DIAMETER

20mm uPVC Pressure Pipe

NORMAL OPERATING TEMPERATURE

35°C

ELECTRICAL POWER SUPPLY

220-240V / 50Hz

MOTOR POWER RATING

400W

OVERALL MEASUREMENTS (W x H x D)

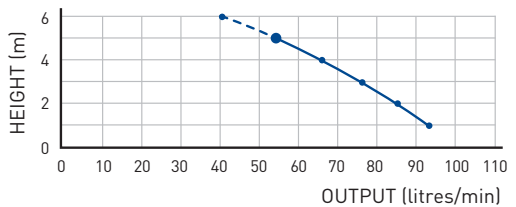
512 x 270 x 181mm

ACCESSORIES

- Factory pre mounted non return valve (supplied)
- Can be equipped with SaniAlarm (sold separately) (Isolation valve not supplied)

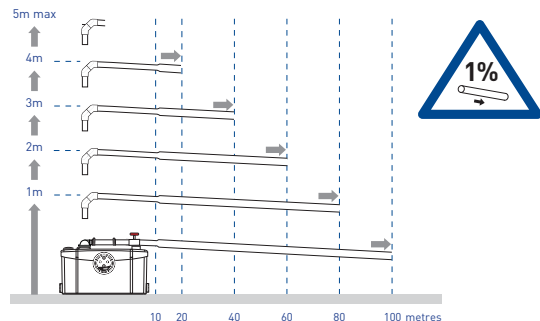
All horizontal pipework requires a minimum of 1:100 fall

FLOW RATE PERFORMANCE



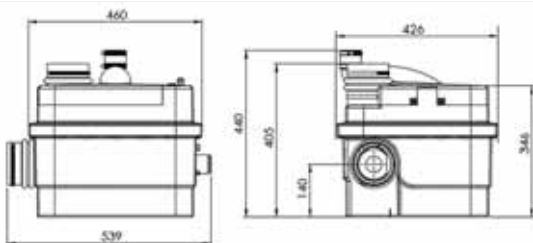
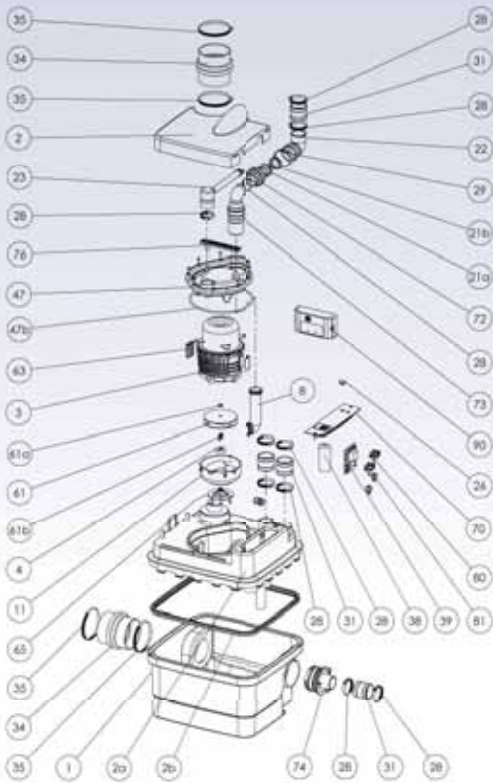
PUMPING DISTANCE PERFORMANCE

Increase size of horizontal run by one pipe size after 5m



SANICUBIC 1 SA 107

SANICUBIC 1 can remove waste from several appliances and fixtures through its powerful motor e.g. WC, washing machine, dishwasher and more with multiple inlet ports.



POSSIBLE CONNECTIONS

Multiple WC's* waste waters from kitchen, vanity & laundry

VERTICAL PUMPING HEIGHT

Up to 11m

HORIZONTAL PUMPING DISTANCE

Up to 110m (refer to pumping graph below)

INLET DIAMETER

100/110mm for toilets, 40/50mm for waste waters

RECOMMENDED WASTE PIPE DIAMETER

40mm uPVC Pressure Pipe

NORMAL OPERATING TEMPERATURE

35°C and max 70°C for short periods

ELECTRICAL POWER SUPPLY

220-240V / 50Hz

MOTOR POWER RATING

1500W

OVERALL MEASUREMENTS (W x H x D)

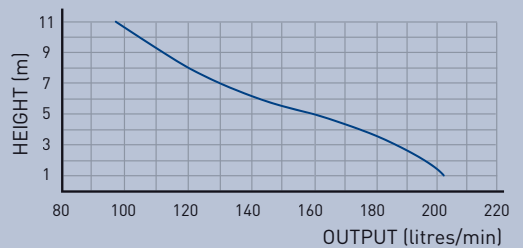
460 x 405 x 426mm

ACCESSORIES

- Factory pre mounted non return valve (supplied)
- Control panel mounted on unit
- Wired alarm panel (supplied)

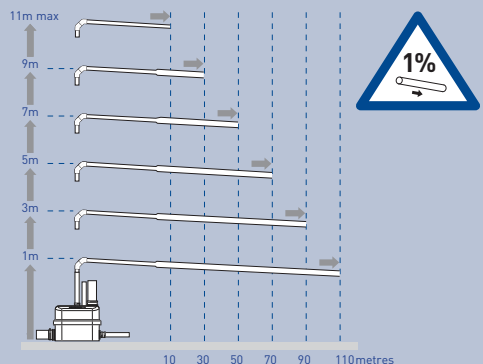
All horizontal pipework requires a minimum of 1:100 fall

FLOW RATE PERFORMANCE



PUMPING DISTANCE PERFORMANCE

Increase size of horizontal run by one pipe size after 5m



SANIACCESS 2

SA 80

The SANIACCESS 2 is used to install a WC and wash basin. Two service panels on top of the unit allows fast and easy access to internal components.

PUMPING DISTANCE UP TO 5M

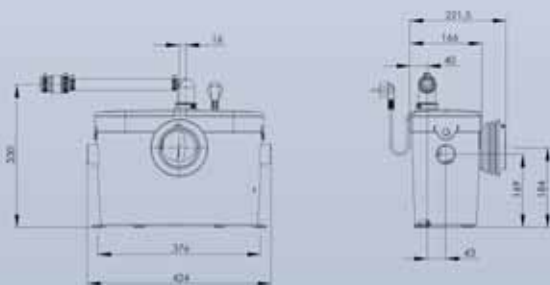
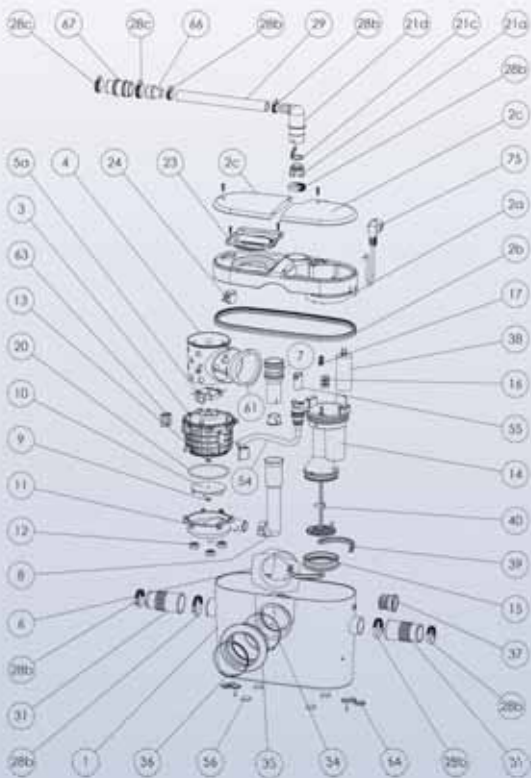


2 YEAR WARRANTY



Super quiet

PUMPING DISTANCE UP TO 100M



POSSIBLE CONNECTIONS

WC, vanity basin

VERTICAL PUMPING HEIGHT

Up to 5m

HORIZONTAL PUMPING DISTANCE

Up to 100m (refer to pumping graph below)

RECOMMENDED WASTE PIPE DIAMETER

20mm uPVC Pressure Pipe

NORMAL OPERATING TEMPERATURE

35°C

ELECTRICAL POWER SUPPLY

220-240V / 50Hz

MOTOR POWER RATING

400W

OVERALL MEASUREMENTS (W x H x D)

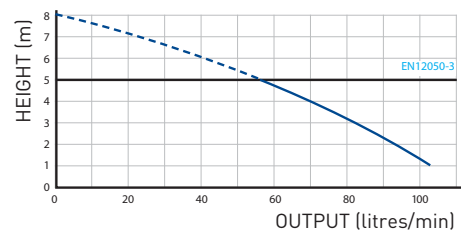
424 x 330 x 166mm

ACCESSORIES

- Factory pre mounted non return valve (supplied) (Isolation valve not supplied)

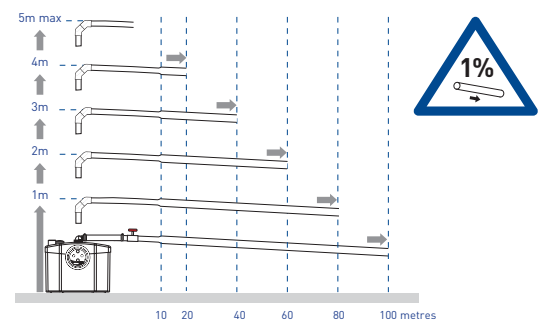
All horizontal pipework requires a minimum of 1:100 fall

FLOW RATE PERFORMANCE



PUMPING DISTANCE PERFORMANCE

Increase size of horizontal run by one pipe size after 5m



SANIACCESS 3

SA 81

The SANIACCESS 3 is used to install a complete bathroom. Two service panels on top of the unit allows fast and easy access to internal components.

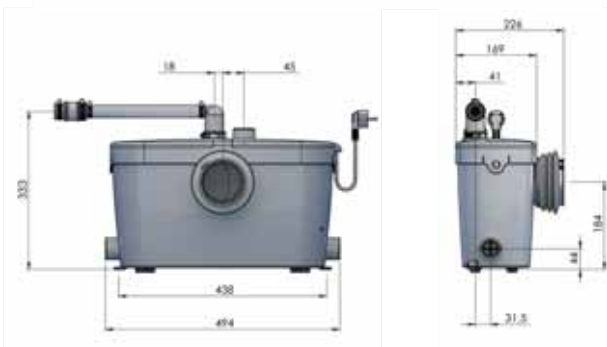
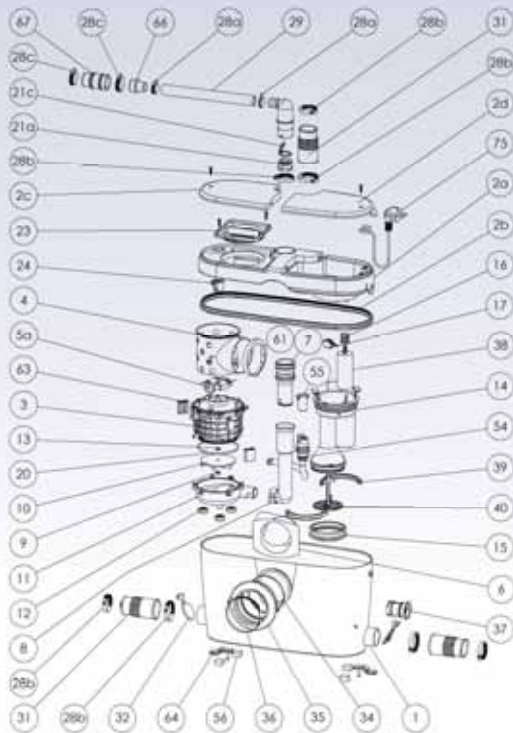


2 YEAR WARRANTY



Super quiet

PUMPING DISTANCE UP TO 100M



POSSIBLE CONNECTIONS

WC, vanity, shower, bath

VERTICAL PUMPING HEIGHT

Up to 5m

HORIZONTAL PUMPING DISTANCE

Up to 100m (refer to pumping graph below)

RECOMMENDED WASTE PIPE DIAMETER

20mm uPVC Pressure Pipe

NORMAL OPERATING TEMPERATURE

35°C

ELECTRICAL POWER SUPPLY

220-240V / 50Hz

MOTOR POWER RATING

400W

OVERALL MEASUREMENTS (W x H x D)

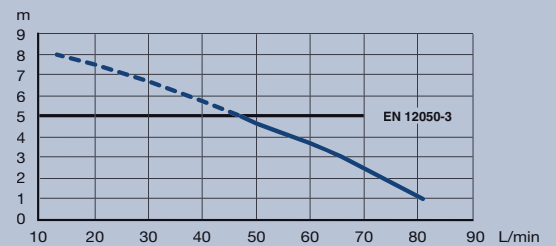
494 x 333 x 169mm

ACCESSORIES

- Factory pre mounted non return valve (supplied) (Isolation valve not supplied)

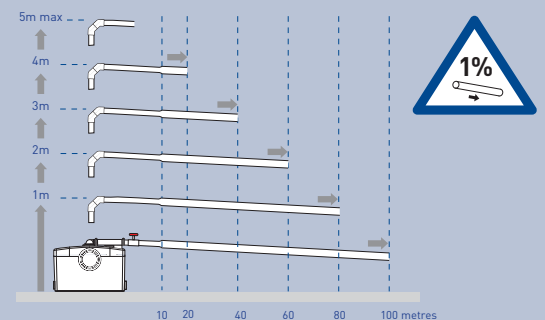
All horizontal pipework requires a minimum of 1:100 fall

FLOW RATE PERFORMANCE



PUMPING DISTANCE PERFORMANCE

Increase size of horizontal run by one pipe size after 5m



SANIACCESS PUMP

SA 79

The SANIACCESS Pump is used to install a complete kitchen or laundry. Two service panels on top of the unit allows fast and easy access to internal components.

PUMPING DISTANCE UPTO **5M**



2 YEAR WARRANTY



Super quiet

PUMPING DISTANCE UPTO **50M**



POSSIBLE CONNECTIONS

Dishwasher, washing machine, shower, vanity basin, bath, kitchen sink

VERTICAL PUMPING HEIGHT

Up to 5m

HORIZONTAL PUMPING DISTANCE

Up to 50m (refer to pumping graph below)

RECOMMENDED WASTE PIPE DIAMETER

25mm uPVC Pressure Pipe

NORMAL OPERATING TEMPERATURE

35°C and max 60°C for short periods

ELECTRICAL POWER SUPPLY

220-240V / 50Hz

MOTOR POWER RATING

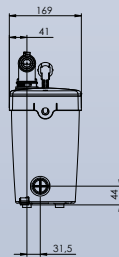
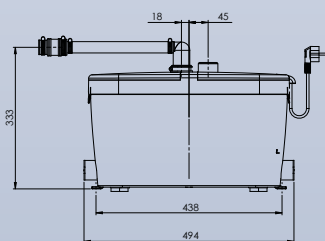
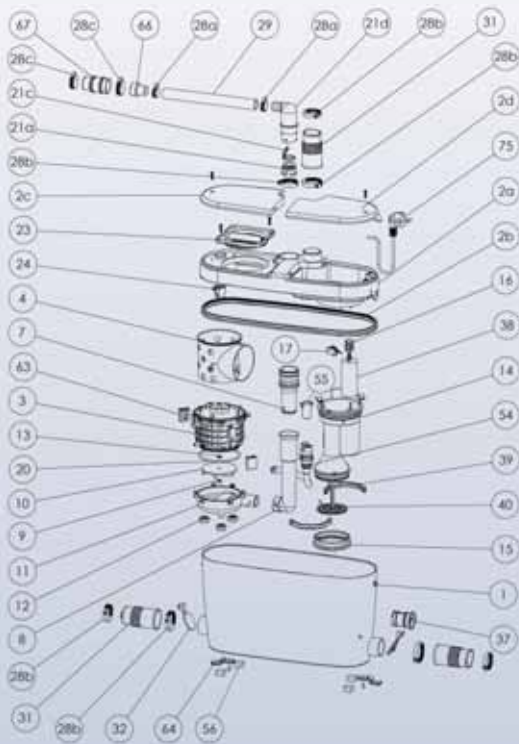
400W

OVERALL MEASUREMENTS (W x H x D)

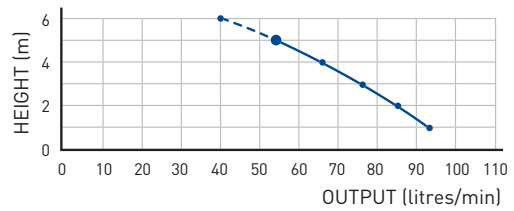
494 x 333 x 169mm

ACCESSORIES

- Factory pre mounted non return valve (supplied)
- All horizontal pipework requires a minimum of 1:100 fall

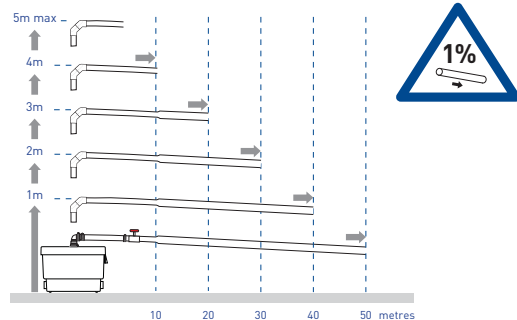


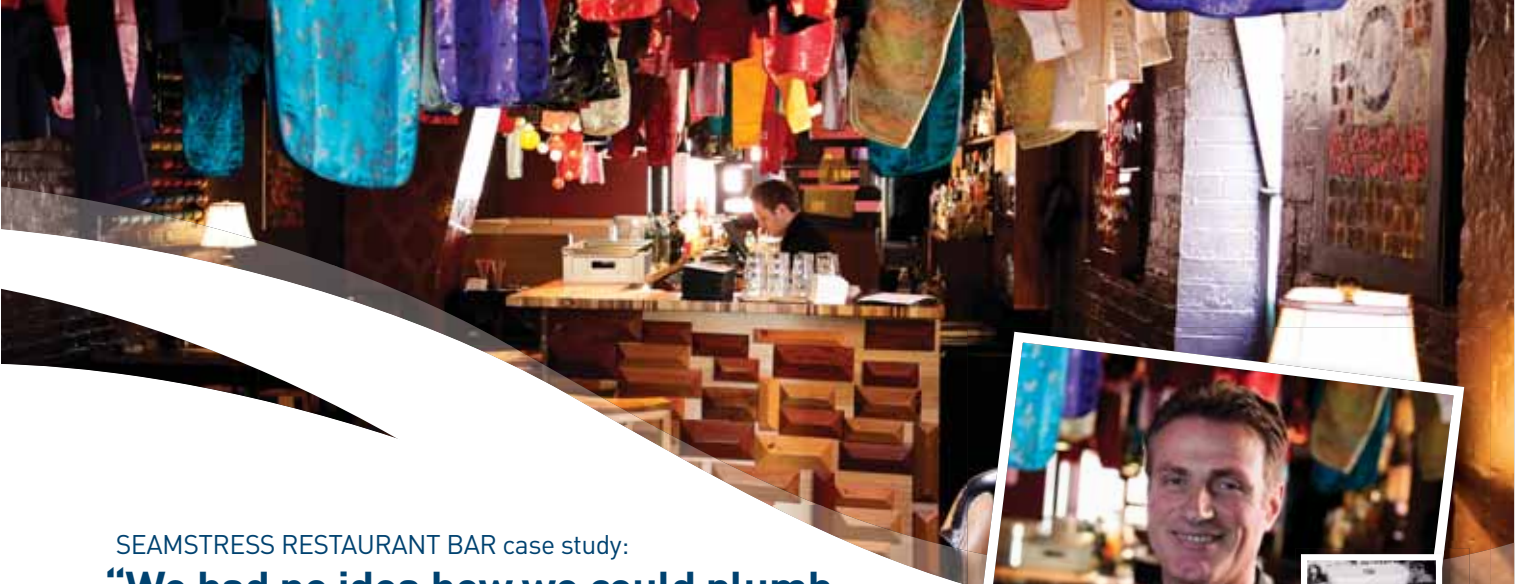
FLOW RATE PERFORMANCE



PUMPING DISTANCE PERFORMANCE

Increase size of horizontal run by one pipe size after 5m





SEAMSTRESS RESTAURANT BAR case study:

“We had no idea how we could plumb our basement bar. Fortunately Saniflo did.”



TALLY KONSTAS – OWNER

Basement bars are very popular. Especially when they're in a thriving inner city location.

Take the popular Sweatshop - the basement bar at Seamstress in fashionable Lonsdale St Melbourne. On a Friday night it can see up to 250 people come through its doors. Catering to this many patrons requires smart, reliable infrastructure to be in place. None the least of which is plumbing.

“We needed both sewerage and general waste to be pumped from our basement,” explains Tally Konstas, owner of Sweatshop. “It’s always a difficult task. So we asked our builder to recommend a professional and robust system.”

That recommendation was Saniflo’s Sanibest Pro.®

Sanibest-Pro® is an all-new versatile macerator system designed to accept waste from a WC, plus a choice of other gravity fixtures. Waste is pumped away in 20mm pipe-work up to 7m vertically or 110m horizontally (or lesser combinations of both). The new grinder macerating action and heavy-duty motor are designed specifically for intensive usage. Making it perfect for a commercial operation such as the Sweatshop.

“We’ve had it installed for four years,” adds Tally Konstas, “and it’s been a very effective, reliable and robust solution.”

With over 7 million units sold worldwide and over 50 years experience in delivering innovative plumbing solutions you can rely on Saniflo to assist you in your commercial requirements.

GREEN ELEMENT HAIRDRESSING case study:

“Our hairdressing basins couldn’t drain their wastewater. Saniflo literally stopped us from going under.”



KIMBERLEY FORBES – OWNER

Historically, hair dressing salons produce enormous amount of grey water, which normally runs away by gravity to the sewer system. However, there are instances where traditional plumbing alone is not sufficient.

Kimberley Forbes owner of Green Element Hairdressers in Port Melbourne faced an unusual situation when she opened her salon 3 years ago. It seems that provision was not made in the building design to allow the salon’s wash basins to gravitate into the sewer system.

“It was dire,” explains Kimberley, “quite frankly without a solution we knew we wouldn’t have a salon. So we sought expert advice.”

The servicing division of Saniflo advised Kimberley to use a Saniflo Sanicom 1® pump. This revolutionary product collects waste water and pumps it away to the sewer connection, using small diameter pipework. The Sanicom 1® can lift waste water and pump it up to 10 metres vertically or 100 metres horizontally (or a lesser combination of both). Making it an intelligent solution for commercial installations including laundries, kitchens and thankfully hair dressing salons.

“It literally saved us,” adds Kimberley. “We had it installed three years ago and we’re absolutely delighted with it. The device is totally reliable and so is the service. We’re very happy customers.”

With over 7 million units sold worldwide and over 50 years experience in delivering innovative plumbing solutions, Saniflo products allow anyone to incorporate bathroom fixtures, laundry rooms or kitchens virtually anywhere without any major construction work.

Yes. You can.

SANIFLO



The Saniflo commercial range

Creating additional wet areas for commercial properties such as bathrooms, staff kitchenettes, coffee stations and laundries is easy with Saniflo commercial pumps.

For many years, Saniflo has been making office renovations faster and simpler. Saniflo gives you the freedom to add extra water facilities to your commercial property or office space without all the hard work. Imagine renovating without disturbing other tenants or any of the building structure within. Now, adding bathrooms, kitchenettes and even coffee stations wherever you choose is an easier and more cost effective option than ever before. All this whilst adding functionality and real value to your commercial property.

As market leaders and with over 7 million units sold worldwide, Saniflo is the solution to hassle free renovations.



COMMERCIAL
RENOVATIONS
MADE EASY WITH
SANIFLO



- BASEMENT INSTALLATIONS
 - EXTENSIONS
 - REFURBISHMENT
- TEMPORARY BUILDINGS
- HOTELS AND GUEST HOUSES
- HOTELS AND RESTAURANTS
 - MULTI TENANCY FIT-OUTS
 - PUBS AND CLUBS
 - MULTIPLE WASTES
- SHOPPING CENTRE SUB-LEASES
- STAFF KITCHEN/LUNCHROOM

SANIBEST-PRO

SA 100

SANIBEST has been engineered to handle more intensive use in either commercial or domestic situations. Able to accept up to 4 fixtures (WC, vanity, shower) making it ideal for use in restaurants, bars or full scale domestic renovations.

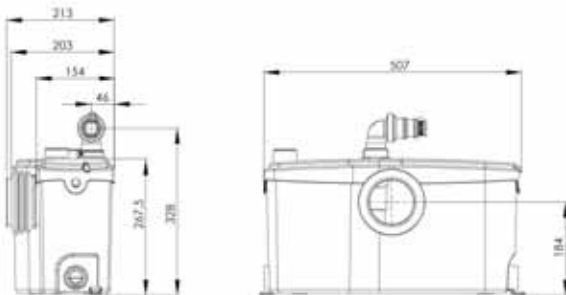
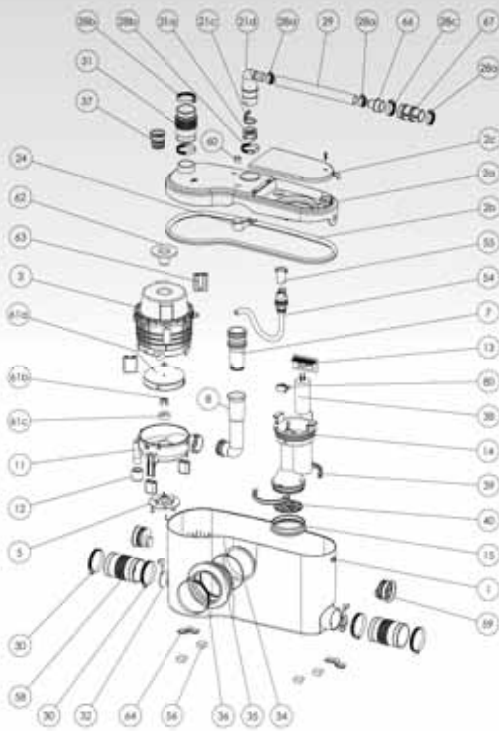


PUMPING DISTANCE UP TO 7M

2 YEAR WARRANTY



PUMPING DISTANCE UP TO 110M



*Image shown with exposed pipes for illustrative purposes only.

POSSIBLE CONNECTIONS

WC, vanity basin, shower

VERTICAL PUMPING HEIGHT

Up to 7m

HORIZONTAL PUMPING DISTANCE

Up to 110m (refer to pumping graph below)

RECOMMENDED WASTE PIPE DIAMETER

20mm uPVC Pressure Pipe

NORMAL OPERATING TEMPERATURE

35°C

ELECTRICAL POWER SUPPLY

220-240V / 50Hz

MOTOR POWER RATING

1100W

OVERALL MEASUREMENTS (W x H x D)

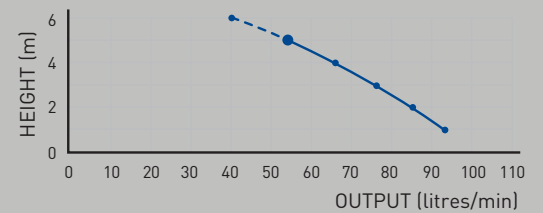
507 x 267.5 x 154mm

ACCESSORIES

- Factory pre mounted non return valve (supplied)
- Can be equipped with SaniAlarm (sold separately) (Isolation valve not supplied)

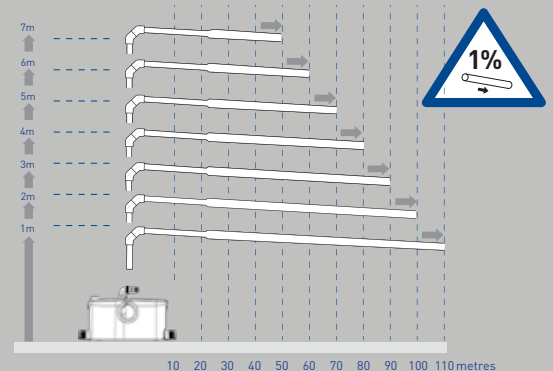
All horizontal pipework requires a minimum of 1:100 fall

FLOW RATE PERFORMANCE



PUMPING DISTANCE PERFORMANCE

Increase size of horizontal run by one pipe size after 5m



SANISPEED is the perfect solution for installing a **low to medium use** kitchen or laundry.

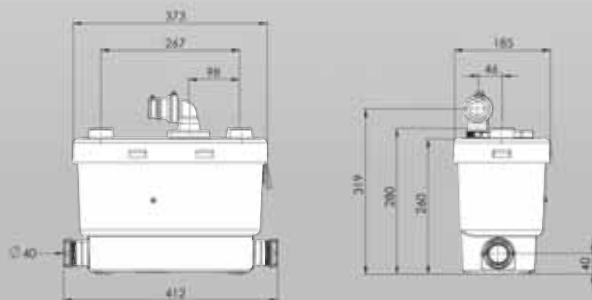
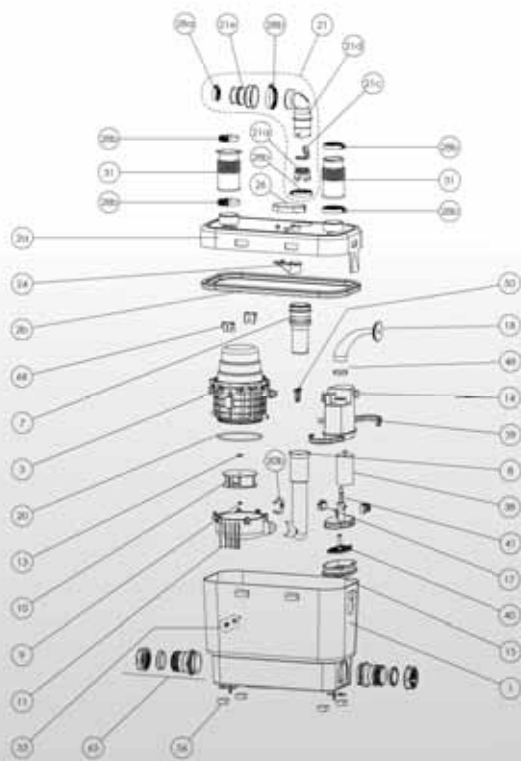
PUMPING DISTANCE UP TO **7M**



2 YEAR WARRANTY



PUMPING DISTANCE UP TO **70M**



POSSIBLE CONNECTIONS

Dishwasher, glasswasher, washing machine, kitchen sink, shower, vanity basin, bath, coffee station

VERTICAL PUMPING HEIGHT

Up to 7m

HORIZONTAL PUMPING DISTANCE

Up to 70m (refer to pumping graph below)

RECOMMENDED WASTE PIPE DIAMETER

25mm uPVC Pressure Pipe

NORMAL OPERATING TEMPERATURE

35°C and max 75°C for short periods

ELECTRICAL POWER SUPPLY

220-240V / 50Hz

MOTOR POWER RATING

400W

OVERALL MEASUREMENTS (W x H x D)

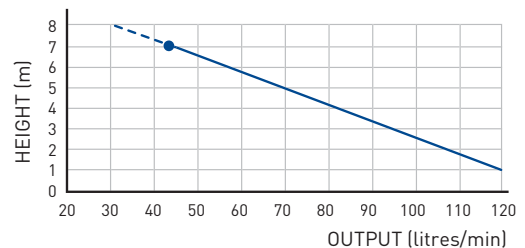
373 x 275 x 185mm

ACCESSORIES

- Factory pre mounted non return valve (supplied)
- Can be equipped with SaniAlarm (sold separately) (Isolation valve not supplied)

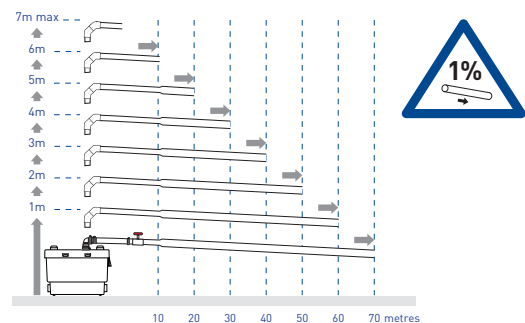
All horizontal pipework requires a minimum of 1:100 fall

FLOW RATE PERFORMANCE



PUMPING DISTANCE PERFORMANCE

Increase size of horizontal run by one pipe size after 5m



SANICOM 1

SA 102

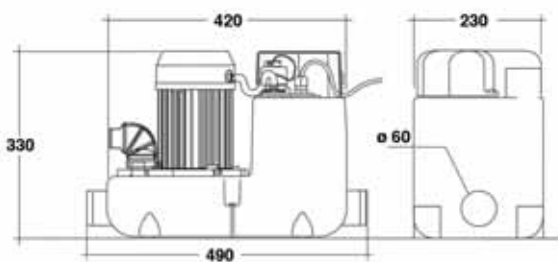
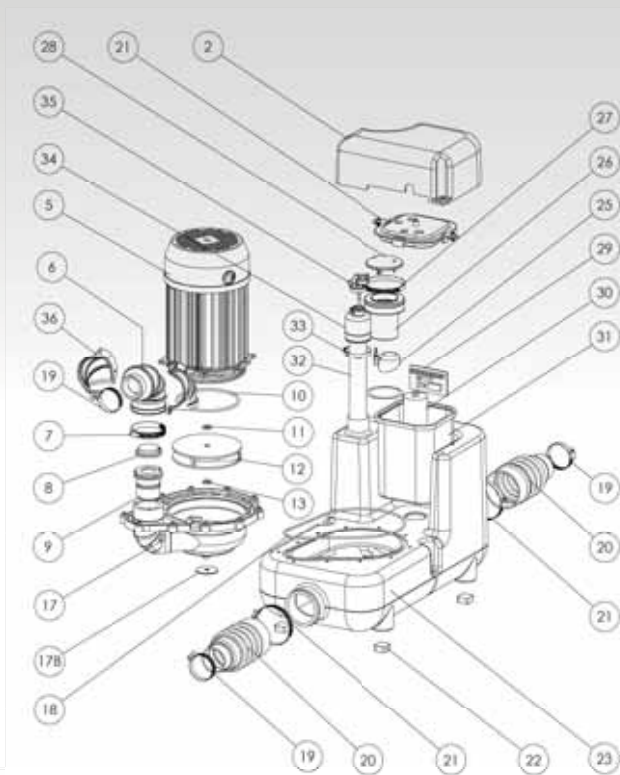
Resistant to high temperatures, SANICOM 1 can be used to lift waste from demanding commercial kitchens, laundries and bars.

PUMPING DISTANCE UP TO 10M



2 YEAR WARRANTY

PUMPING DISTANCE UP TO 100M



*A GREASE INTERCEPTOR TRAP MUST BE INSTALLED BEFORE DRAINING WASTE-WATER TO PUMP

POSSIBLE CONNECTIONS

Multiple sinks, coffee stations, commercial kitchens, dishwashers, glasswashers, washing machines, bath, shower

VERTICAL PUMPING HEIGHT

Up to 10m

HORIZONTAL PUMPING DISTANCE

Up to 100m

RECOMMENDED WASTE PIPE DIAMETER

25mm uPVC Pressure Pipe

NORMAL OPERATING TEMPERATURE

35°C and max 90°C for short periods

ELECTRICAL POWER SUPPLY

220-240V / 50Hz

MOTOR POWER RATING

1300W

OVERALL MEASUREMENTS (W x H x D)

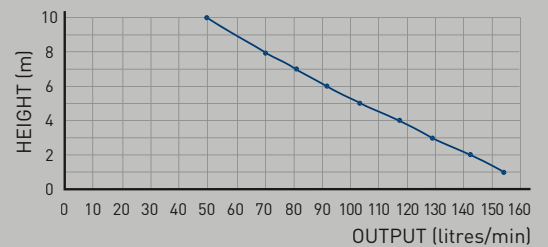
490 x 330 x 230mm

ACCESSORIES

- Factory pre mounted non return valve (supplied)
- Possibility of fitting an external alarm (Isolation valve not supplied)

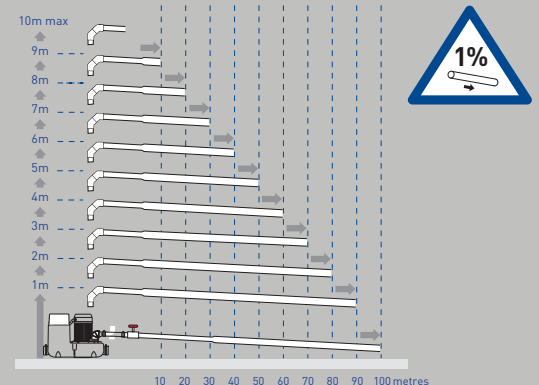
All horizontal pipework requires a minimum of 1:100 fall

FLOW RATE PERFORMANCE



PUMPING DISTANCE PERFORMANCE

Increase size of horizontal run by one pipe size after 5m



SANICOM 2

SA 108

SANICOM 2 can pump waste from any bathroom (no WC – grey water only), kitchen or laundry. Equipped with 2 motors it is ideal for 'heavy use' in professional or commercial situations.

PUMPING DISTANCE UP TO 11M



2 YEAR WARRANTY

PUMPING DISTANCE UP TO 110M



POSSIBLE CONNECTIONS

Vanity basin, kitchen sink, laundry trough, dishwasher, washing machine and 2 minute cycle glass washer, shower, bath

VERTICAL PUMPING HEIGHT

Up to 11m

HORIZONTAL PUMPING DISTANCE

Up to 110m (refer to pumping graph below)

RECOMMENDED WASTE PIPE DIAMETER

40mm uPVC Pressure Pipe

NORMAL OPERATING TEMPERATURE

35°C and max 90°C for short periods

ELECTRICAL POWER SUPPLY

220-240V / 50Hz

MOTOR POWER RATING

2 x 1500W

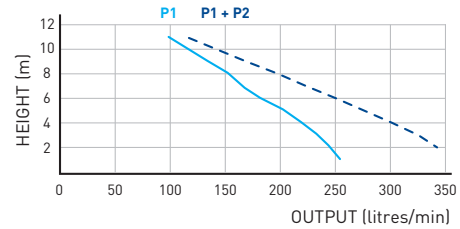
OVERALL MEASUREMENTS (W x H x D)

467 x 486 x 480mm

ACCESSORIES

- 2 x pre mounted non return valves (supplied)
- All horizontal pipework requires a minimum of 1:100 fall

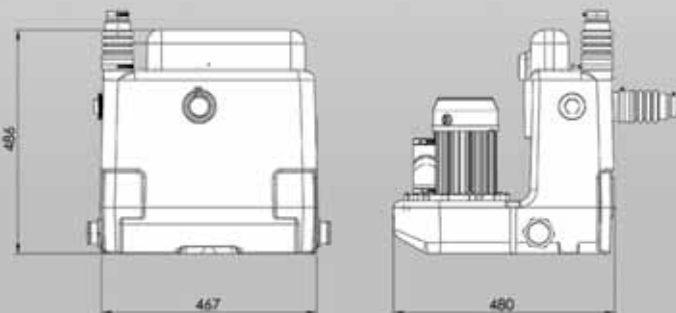
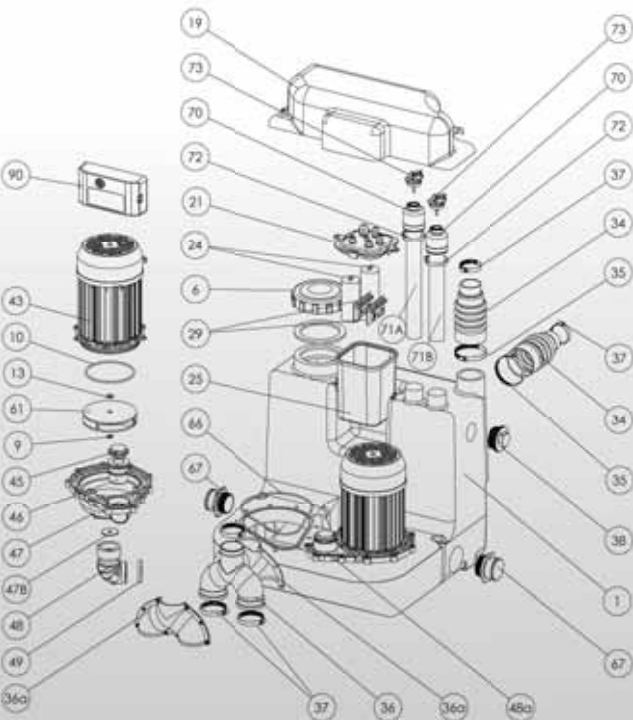
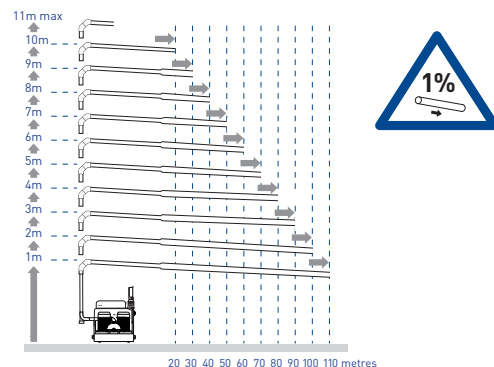
FLOW RATE PERFORMANCE



P1 - Output flow rate with one motor engaged
 P1 + P2 - Output flow rate with two motors engaged

PUMPING DISTANCE PERFORMANCE

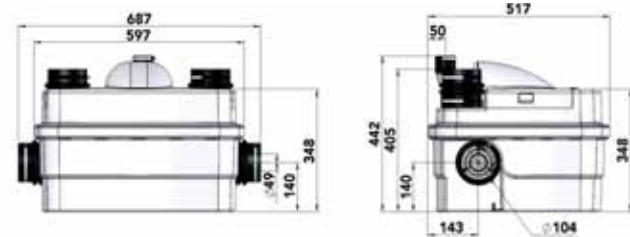
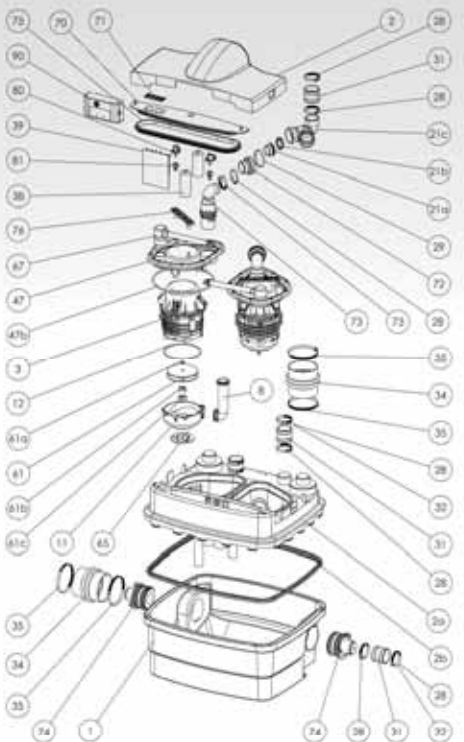
Increase size of horizontal run by one pipe size after 5m



SANICUBIC 2 Classic SA 105

SANICUBIC 2 Pro SA 104

Equipped with 2 motors, SANICUBIC 2 CLASSIC (with built-in alarm) and SANICUBIC 2 PRO (with wireless remote alarm) can remove waste from several appliances and fixtures eg multiple WC, washing machines, dishwashers and more. These clever units have multiple inlets and various diameters.



All fixtures need to be higher than 275mm above the base of the pump.

POSSIBLE CONNECTIONS

Multiple WC's waste waters from kitchen, bathroom & laundry, shower, bath

VERTICAL PUMPING HEIGHT

Up to 11m

HORIZONTAL PUMPING DISTANCE

Up to 110m (refer to pumping graph below)

INLET DIAMETER

100/110mm for toilets, 40/50mm for waste waters

RECOMMENDED WASTE PIPE DIAMETER

40mm uPVC Pressure Pipe

NORMAL OPERATING TEMPERATURE

70°C for short periods

ELECTRICAL POWER SUPPLY

220-240V / 50Hz

MOTOR POWER RATING

2 x 1500W

OVERALL MEASUREMENTS (W x H x D)

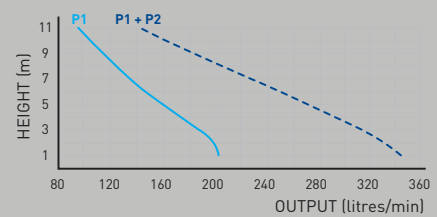
597 x 517 x 442mm

ACCESSORIES

- Factory pre mounted non return valve (supplied)
- Control panel mounted on unit

All horizontal pipework requires a minimum of 1:100 fall

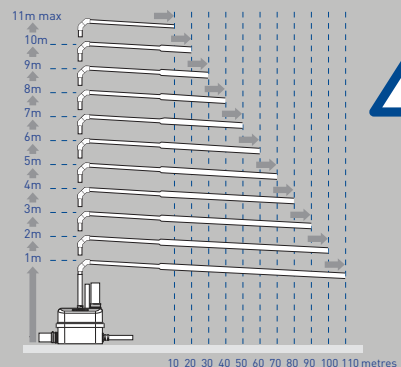
FLOW RATE PERFORMANCE



P1 - Output flow rate with one motor engaged
 P1 + P2 - Output flow rate with two motors engaged

PUMPING DISTANCE PERFORMANCE

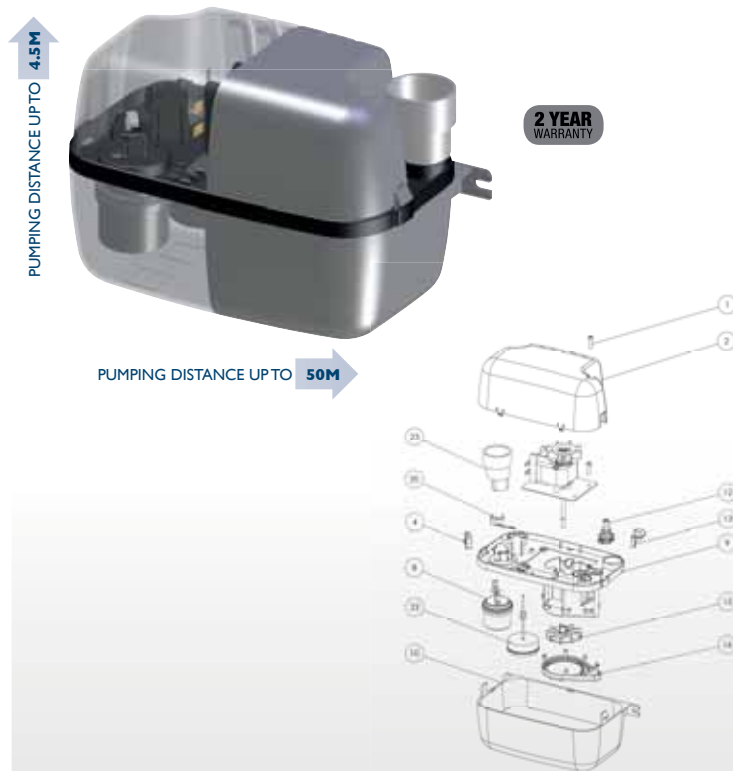
Increase size of horizontal run by one pipe size after 5m



SANICONDENS PRO

SA 92

SANICONDENS® PRO is a specially designed small bore pump that flushes away non-acidic condensates from condensing boilers, air conditioners or refrigerating units.



POSSIBLE CONNECTIONS

Condensing boiler, air conditioners, refrigerators

VERTICAL PUMPING HEIGHT

Up to 4.5m

HORIZONTAL PUMPING DISTANCE

Up to 50m (refer to pumping graph below)

RECOMMENDED WASTE PIPE DIAMETER

10mm supplied

NORMAL OPERATING TEMPERATURE

Max 80°C for short periods

ELECTRICAL POWER SUPPLY

220-240V / 50Hz

MOTOR POWER RATING

60W

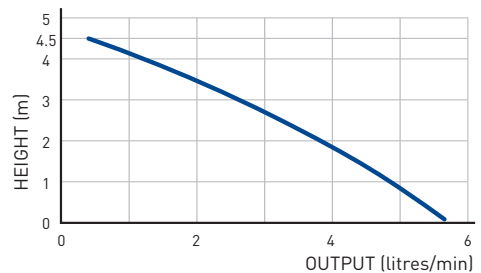
OVERALL MEASUREMENTS (W x H x D)

260 x 169 x 143mm

ACCESSORIES

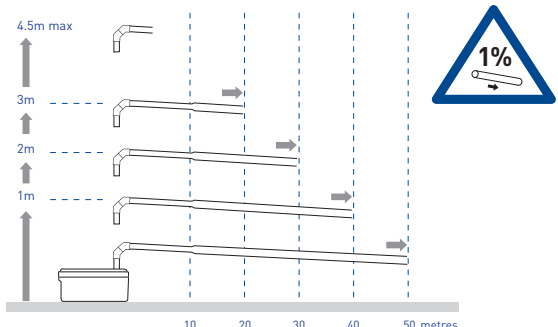
- Non return valve, wall fixing kit, I inlet adaptor and I outlet adaptor, connection for an alarm, 2m of electrical cable, 6m of drainage pipe
- All horizontal pipework requires a minimum of 1:100 fall

FLOW RATE PERFORMANCE



PUMPING DISTANCE PERFORMANCE

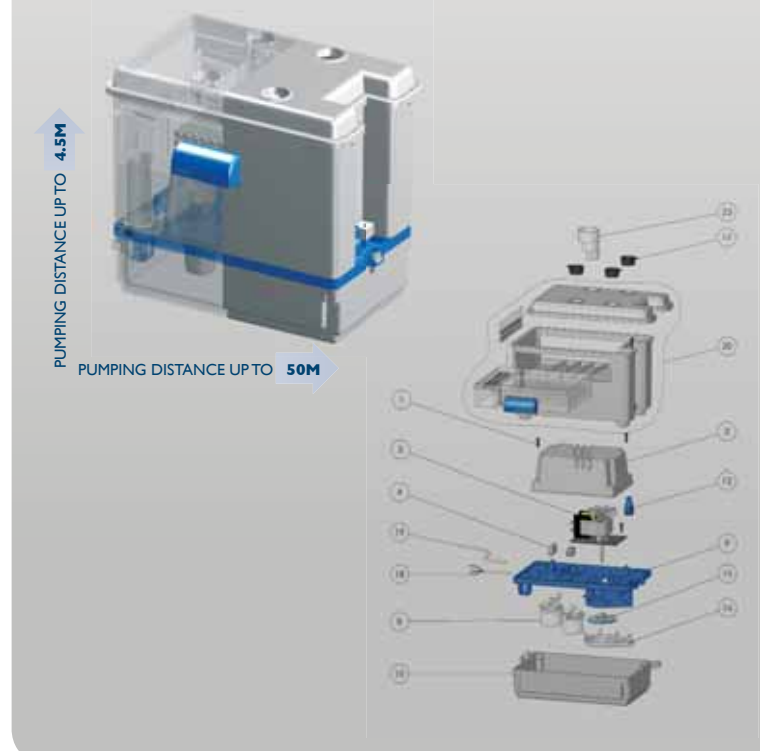
Increase size of horizontal run by one pipe size after 5m



SANICONDENS BEST

SA 93

SANICONDENS® BEST is specifically designed for disposing of the acidic condensate from condensing boilers and other water producing equipment such as air conditioners, dehumidifiers etc.



SANICLIM Mini

SA 110

SANICLIM® Mini is a pump that evacuates condensate from air conditioning units. Its compact design allows it to be mounted neatly alongside wall-hung air conditioners. With an operating sound level of under 24 dB(A), the SANICLIM® Mini is surprisingly whisper quiet.

**POSSIBLE CONNECTION**

Air Conditioner

EASY TO USE IN ALL AIR CONDITIONER

of refrigeration capacity of 10 kw or less

MAXIMUM FLOW RATE

15 L/h

VERTICAL PUMPING HEIGHT

Suction lift up to 2m (between the detection block and the pump)

Pumping height up to 6m (from the pump)

ELECTRICAL POWER SUPPLY

220-240V / 50Hz

MOTOR POWER RATING

22W

INDEX OF PROTECTION

IP 20

SOUND LEVEL

24dB (at 1m)

MEASUREMENTS L X P X H**DETECTION SYSTEM** 75 x 36 x 38mm**PUMP UNIT** 86 x 29 x 48mm

Supplied with a 2m flexible discharge pipe, wall mount brackets, vent tube and power cord



SANIALARM

ALARM 1

SANIALARM is an additional component that can be fitted to most of the pumps in this brochure displaying the SaniAlarm symbol.

It is an electronic switch that automatically triggers an alarm when the water volume exceeds the maximum level allowed.

Occasional power failures, or a build up of limescale deposits in older units (that are not regularly descaled) will cause a surcharge of water in the unit. The alarm emits a continuous sound at 50dB (close to the unit), until it is switched off and the problem rectified.

SANIALARM is battery operated and is very easy to install.



Insert 2 x AA batteries into case (not supplied)



Drill a 10mm diameter hole into top of pump casing



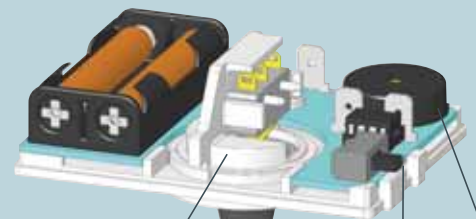
Rub silicone onto tube switch before inserting



Attach Sanialarm into the opening of tube switch




Turn power to ON position



PRESSURE LEVEL switch

ON/OFF switch

AUDIBLE ALARM with the possibility to connect a second alarm (Sound or Light based)



At Saniflo your pump selection is important to us!

Selecting the right pump for the job is essential.

To assist you in your SANIFLO pump selection, please take a few minutes to provide some basic information about the installation or intended use of the SANIFLO pump. When you have completed this form, please give it to your preferred plumbing supplier, or fax/email to SANIFLO (details below).

1. For what purpose do you require a SANIFLO pump? (please circle)

Domestic or Commercial Sewer or Grey Water

2. What fixtures must the SANIFLO pump handle? (please circle)

WC Shower Vanity Kitchen Sink Dish Washer Washing Machine

3. How far away is your intended connection point from where the SANIFLO pump is to be located?

Vertical Height _____

Horizontal Distance _____

4. If the SANIFLO is for a commercial grey water application, is there a need for a grease interceptor trap prior to the pump? (please circle)

Yes No

5. Do you need an alarm for the SANIFLO pump?

Yes No

Company Name _____ Contact Name _____

Mobile _____ Email _____

Simply hand this form to your preferred plumbing supplier. They should be able to recommend the proper unit and provide you with the price. Alternatively, please fax 03 9543 3891 or email this form to info@saniflo.com.au and we will contact your Preferred Plumbing Supplier: (include Company and branch) _____ to provide them with the necessary information.

You may also call our customer centre on 1300 554 779 for more assistance.

Yes. You can.

SANIFLO

10 golden rules for correct installation

Detailed installation instructions accompany every product. Please provide access for any service requirements.

1

All horizontal pipes should have a minimum fall of 1:100. Discharge pipework should be solvent PVC. **Do not use 'pushfit' pipework/fittings.**

2

If a vertical rise is needed, this should be at the start of the run (within 30cm of the unit) and from the high point there must be a minimum fall of 1:100 (see Rule 1).

3

Bends should be smooth/long radius, not tight elbows. Examples of uPVC Pressure Pipe and fittings shown.

4

Waste Pipes entering the Saniflo unit should have a gravity fall of 1:40.

5

Where the pipework falls below floor level, fit an air admittance valve at the highest point capable of withstanding 10psi neg pressure, or upsize pipe coming down to break syphonage.

6

Each Saniflo discharge pipe should run separately to the sewer/vent pipe. If wastes are combined, it can only be to a larger pipe, which is on a gravity fall.

7

The unit should be easily accessible and removable in the event of service or maintenance being required. If boxed in, the boxing should be easily removed. Any extension between the WC pan spigot and wall should not exceed 150mm and have a 1:40 fall.

8

As close coupled cistern dimensions vary it may be necessary with certain designs to utilise a spacer between cistern and wall.

9

Position the Saniflo unit directly behind the toilet pan, not underneath it.

10 **ELECTRICAL CLASS 1 PRODUCT**

Connect to power according AS 3000 Electrical Regulation as rules apply depending on location. In ALL CASES supply must be protected by a 30mA RCD rated at 16A.

Yes. You can.

SANIFLO

After sales contact information: info@saniflo.com.au






With over seven million units sold worldwide and over 50 years experience in delivering innovative plumbing solutions, Saniflo products allow anyone to incorporate bathroom fixtures, laundry rooms or kitchens virtually anywhere without any major construction work.



 Groupe SFA International, France
 SANIFLO AB, Sweden
 SANIFLO, England
 SFA, Poland
 SFA, Russia

 SFA SANIBROY, Germany
 SFA BENELUX BV, Netherlands
 SFA SANIRISH, Ireland
 SFA SANIFLO INC., USA
 SFA SANIFLO INC., Canada
 SFA SANITRIT, Italy

 SFA GRUPO, Spain
 SFA, Portugal
 SFA SANIFLO SRL, Romania
 SANIFLO, Austria
 SFA SANIBROY, Czech Republic
 SFA SANIBROY, Switzerland

 SANIFLO, New Zealand
 SANIFLO, Australia
 SFA SANIHYDRO, Turkey
 SFA, Japan
 SFA, China

Australia

Sales Office: Unit 9-10, 25 Gibbes Street Chatswood NSW 2067
 Tel (02) 9882 6200 Fax (02) 9882 6950
 Email info@saniflo.com.au Website saniflo.com.au

New Zealand

Lectro Marketing Ltd
 PO Box 1520 Auckland NZ
 Tel (09) 6243 977 Fax (09) 6243 976
 Email info@saniflo.co.nz Website saniflo.co.nz

www.saniflo.com.au

Copyright 2012 SFA SANIFLO, Inc. All rights reserved.
 Note: Specifications may change without notice.
 All other material is governed by this brochure.



Yes. You can.

