

Mondella

CONCERTO
SLEEK EDGE

CONCERTO SIDE LEVER SINK MIXER BLACK

- 25mm Cartridge.
- Matte Black Finish.
- Manufactured to Australian Standards AS/NZS3718, WM74755 DR ApprovalMark.
- Fitted with Approved Water Saving Devices. WELS Lic no.1101.

Item Number: 5004160



AS/NZS3718
WM74755 DR
ApprovalMark



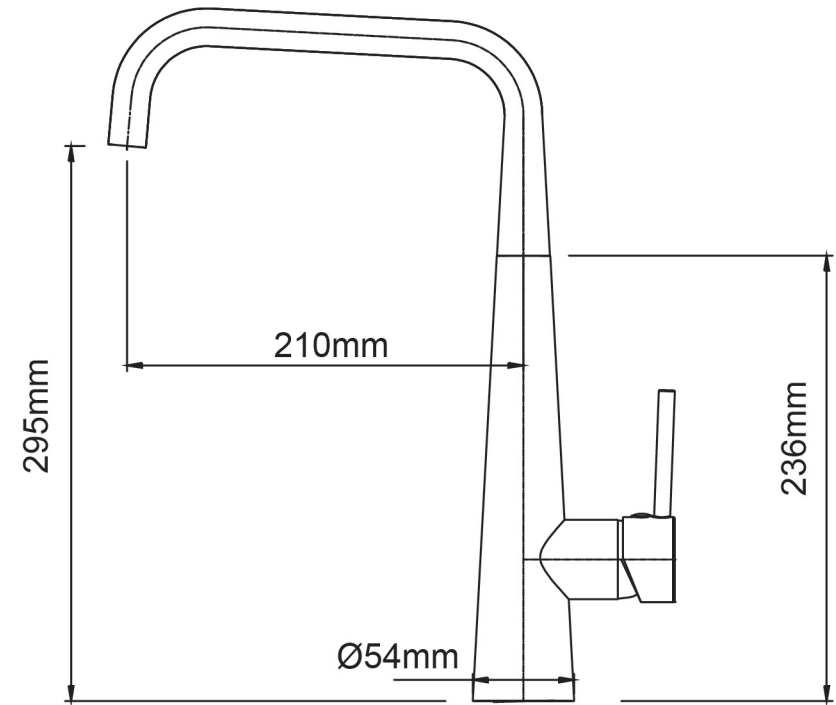
7.5 litres per minute

In accordance with AS/NZS 6400

Licence No. 1101
Kinetic Sourcing Group Ltd

10 YEAR WARRANTY*

* refer to www.mondella.com.au for full warranty details



5004160-FLV1
17/04/18

All dimensions in millimetres (mm) and subject to manufacturing tolerances.