

OZITO

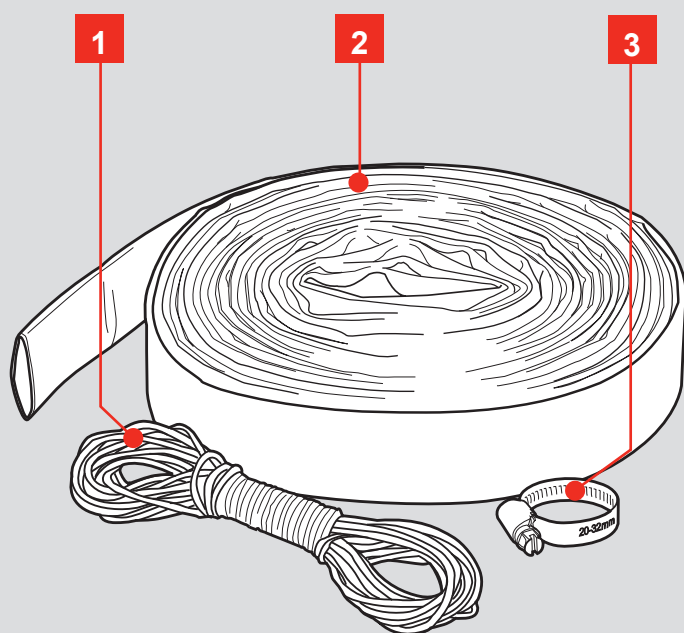
SUBMERSIBLE PUMP INSTALLATION KIT

Ø25mm

SET-UP GUIDE

CONTENTS

1. 20m Nylon Lowering Rope
2. Ø25mm x 10m Lay Flat Hose
3. Ø25mm Stainless Hose clamp



ONLINE MANUAL

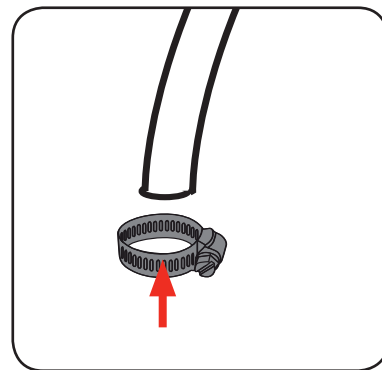
Scan this QR Code with your mobile device to take you to the online manual.



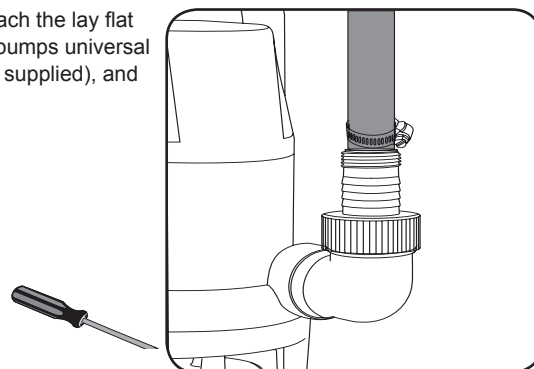
SETUP

Ensure your pump is disconnected from the power supply before performing any of the following operations.

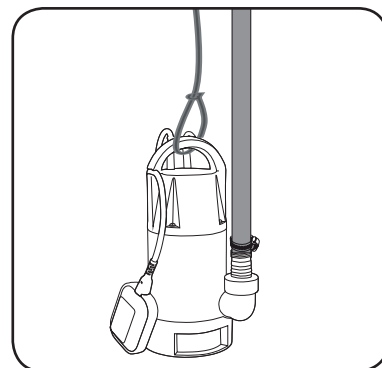
1. Fit the stainless steel hose clamp over the lay flat hose.



2. Securely attach the lay flat hose to the pumps universal adaptor (not supplied), and tighten.



3. The nylon lowering rope can be secured to the pump handle if required when submersing the pump in water.



4. Refer to the instruction manual supplied with your submersible pump for full details on warnings, safety, operation, installation and proper use of your pump.

PAIK-2510