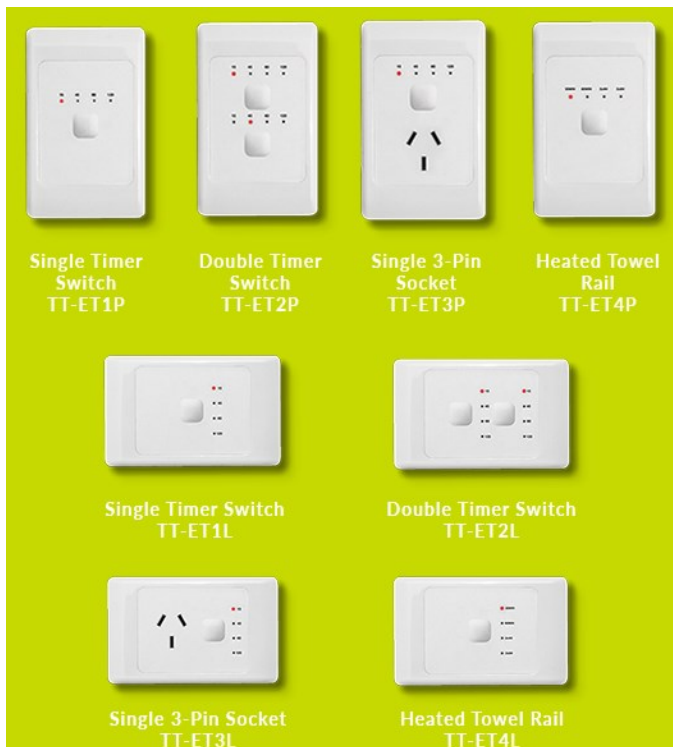




envirotouch™

PRODUCT MANUAL



The **envirotouch™** is a range of intelligent, timer based switches which allows easy, point-of-use control of lighting and electrical devices. It includes multiple pre-set, countdown timer options or cycles, so with the simple press of a button it will automatically turn off the appliance, after the desired time.

Designed for simple retrofitting of current switches and power sockets; can be hard-wired to light circuits or used with plug-in appliances to give intelligent control, but at a fraction of the cost.

envirotouch™ comes in 8 different styles, so you can use them throughout the home or workplace and increase the benefits.

The envirotouch™ range is supplied by Thermofilm Australia Pty Ltd, based in Melbourne.

The intelligent, energy saving solution



Specifications - Australia

Rev E DEC15

MODEL	DESCRIPTION	OUTPUT WIRING	APPLIANCES	CURRENT (AMPS)	TIME
TT-ET1P TT-ET1L	SINGLE LIGHT / APPLIANCE	INTERNAL	SINGLE	10	Continuous, 15, 45, 60, 120 min
TT-ET2P TT-ET2L	DOUBLE LIGHT / APPLIANCE	INTERNAL	DOUBLE	2 x 10 Amp	Continuous, 15, 45, 60, 120 min
TT-ET3P TT-ET3L	APPLIANCE PLUG-IN	3 PIN SOCKET	SINGLE	10	Continuous, 15, 45, 60, 120 min
TT-ET4P TT-ET4L	HEATED TOWEL RAIL	INTERNAL	SINGLE	10	30, 60, 2x4h, 2x6H

MODEL

SWITCH TYPE	Electronic switch for power savings by the addition of a timer option		
OUTPUT	Refer to model code chart above		
POWER	220-240 Volts Nominal at 50 Hertz, Single Phase		
OPERATING TEMPERATURE	-10°C TO 45°C		
UNIT WEIGHT	100g		
APPROVALS	AUSTRALIA/NZ	TTET1/ TT-ET2/ TT-ET4 TT-ET3	AS/NZS60669 AS/NZS/60669; 3100; 3112
UNIT DIMENSIONS	118x74x13mm		
PROTECTION RATING	For internal use only		

NOTE:

“INTERNAL” means the wiring from the back of the controller for concealed wiring.

Controllers are available in portrait and landscape profile.

The Envirotouch range is not suitable to be used for two way lighting (two switches controlling one appliance)

For models, TT-ET1/L & TT-ET2/L, 3 minutes before the switch turns off the light, the lights will dip momentarily to warn you the light will be turned off.

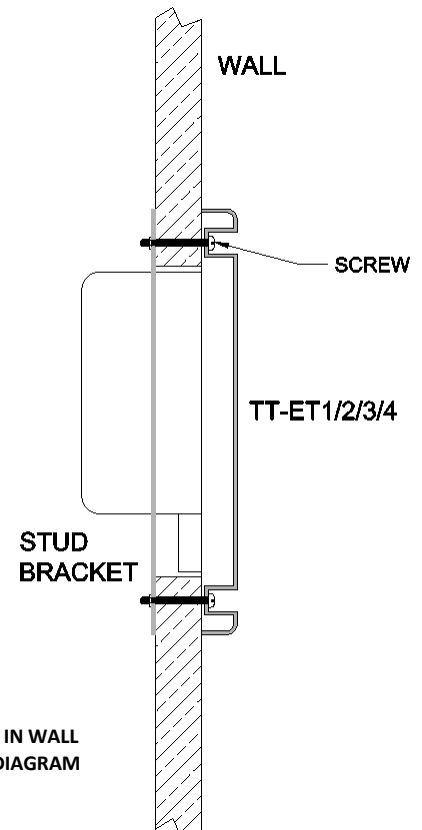
The power draw when in the OFF position is less than 1 Watt.

The Neutral Wire must be connected to the controller unit.

All wiring must be performed by a suitable licenced electrician.

Note:

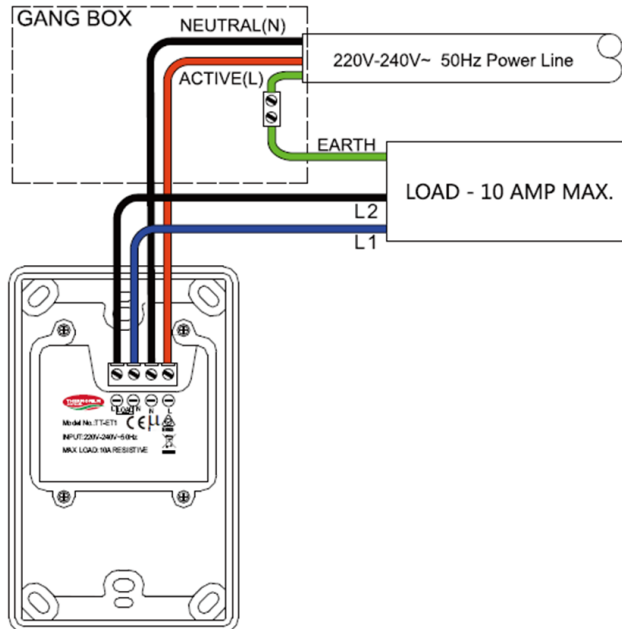
Suitable for internal applications only.





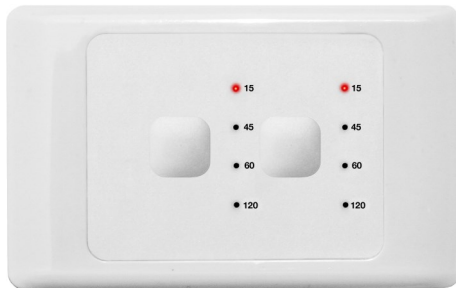
TT-ET1P & TT-ET1L SINGLE SWITCH FOR LIGHT OR APPLIANCE

The TT-ET1P & TT-ET1L has been designed for applications such as lights or electrical devices.

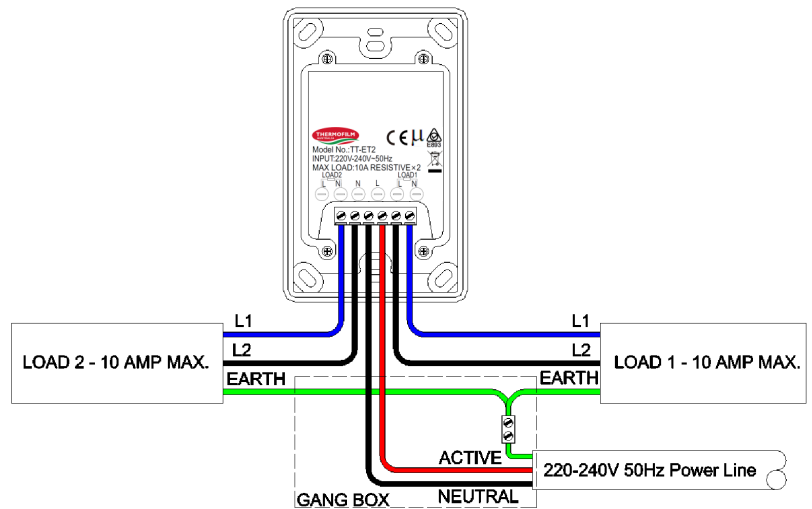


TO TURN ON	OUTPUT	LIGHTS	FUNCTION
Press button	ON	All lights flash once then go OFF	The output will stay ON indefinitely
Press button again within 3 seconds	ON	The 15 minute light will come ON and stay ON	Output will turn OFF after 15 minutes
Press button again within 3 seconds	ON	The 45 minute light will come ON and stay ON	Output will turn OFF after 45 minutes
Press button again within 3 seconds	ON	The 60 minute light will come ON and stay ON	Output will turn OFF after 60 minutes
Press button again within 3 seconds	ON	The 120 minute light will come ON and stay ON	Output will turn OFF after 120 minutes
Press button again within 3 seconds	ON	All lights flash once then go OFF	The output will stay ON indefinitely
TO TURN OFF			
Wait 3 seconds then press button	OFF	All lights go OFF	The output will stay OFF indefinitely
CHANGE DEFAULT			
Press button and hold for 5 seconds	OFF	All lights flash ON, then go OFF	This will change the default for the first time the button is pushed. The factory setting is ON continuous for the first time the button is pushed
Press button again within 3 seconds	OFF	The 15 minute light will come ON and stay ON	The default will be changed to 15 minutes
Press button again within 3 seconds	OFF	The 45 minute light will come ON and stay ON	The default will be changed to 45 minutes
Press button again within 3 seconds	OFF	The 60 minute light will come ON and stay ON	The default will be changed to 60 minutes
Press button again within 3 seconds	OFF	The 120 minute light will come ON and stay ON	The default will be changed to 120 minutes
Press button again within 3 seconds	OFF	All lights go ON and stay ON	The default will be changed to ON indefinitely
Don't press the button for 5 seconds	OFF	All lights flash ON twice then go OFF	The default program will be exited

TT-ET2P & TT-ET2L DOUBLE SWITCH FOR 2 x LIGHT CIRCUITS OR APPLIANCES



The Double Wall Switch is for operating 2 x light circuit or appliances.

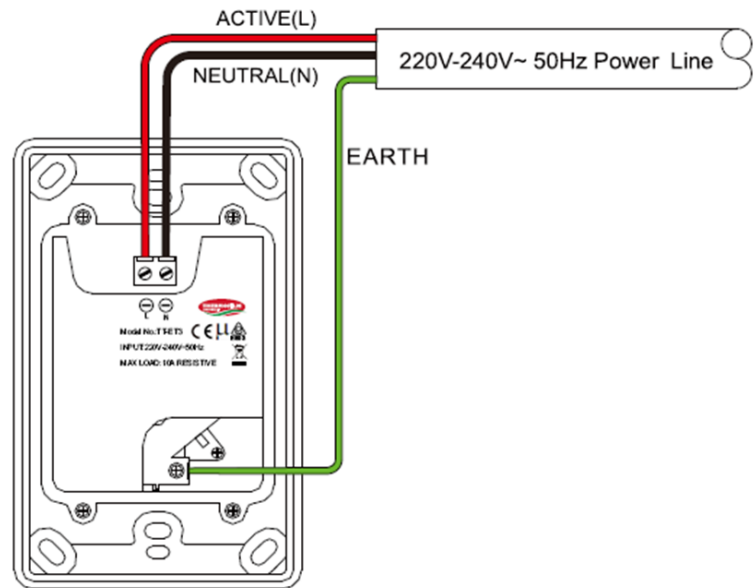
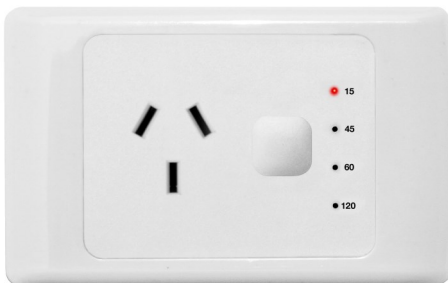


TO TURN ON	OUTPUT	LIGHTS	FUNCTION
Press button	ON	All lights flash once then go OFF	The output will stay ON indefinitely
Press button again within 3 seconds	ON	The 15 minute light will come ON and stay ON	Output will turn OFF after 15 minutes
Press button again within 3 seconds	ON	The 45 minute light will come ON and stay ON	Output will turn OFF after 45 minutes
Press button again within 3 seconds	ON	The 60 minute light will come ON and stay ON	Output will turn OFF after 60 minutes
Press button again within 3 seconds	ON	The 120 minute light will come ON and stay ON	Output will turn OFF after 120 minutes
Press button again within 3 seconds	ON	All lights flash once then go OFF	The output will stay ON indefinitely
TO TURN OFF			
Wait 3 seconds then press button	OFF	All lights go OFF	The output will stay OFF indefinitely
CHANGE DEFAULT			
Press button and hold for 5 seconds	OFF	All lights flash ON, then go OFF	This will change the default for the first time the button is pushed. The factory setting is ON continuous for the first time the button is pushed
Press button again within 3 seconds	OFF	The 15 minute light will come ON and stay ON	The default will be changed to 15 minutes
Press button again within 3 seconds	OFF	The 45 minute light will come ON and stay ON	The default will be changed to 45 minutes
Press button again within 3 seconds	OFF	The 60 minute light will come ON and stay ON	The default will be changed to 60 minutes
Press button again within 3 seconds	OFF	The 120 minute light will come ON and stay ON	The default will be changed to 120 minutes
Press button again within 3 seconds	OFF	All lights go ON and stay ON	The default will be changed to ON indefinitely
Don't press the button for 5 seconds	OFF	All lights flash ON twice then go OFF	The default program will be exited

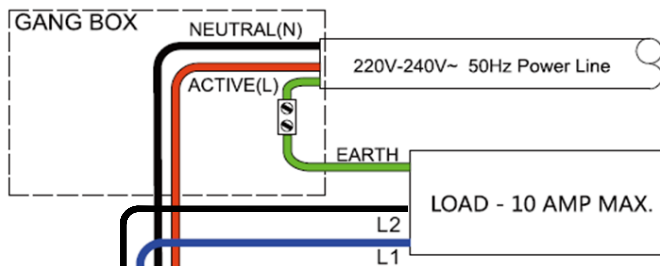


TT-ET3P & TT-ET3L PLUG-IN APPLIANCE SWITCH

The TT-ET3P & TT-ET3L has been designed to be used with appliances that have a 3 pin Australian plug and draw no more than 10amps. They are suitable for heaters, fans, pumps and other appliances that can be controlled by a timer.

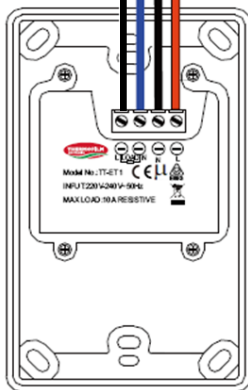


TO TURN ON	OUTPUT	LIGHTS	FUNCTION
Press button	ON	All lights flash once then go OFF	The output will stay ON indefinitely
Press button again within 3 seconds	ON	The 15 minute light will come ON and stay ON	Output will turn OFF after 15 minutes
Press button again within 3 seconds	ON	The 45 minute light will come ON and stay ON	Output will turn OFF after 45 minutes
Press button again within 3 seconds	ON	The 60 minute light will come ON and stay ON	Output will turn OFF after 60 minutes
Press button again within 3 seconds	ON	The 120 minute light will come ON and stay ON	Output will turn OFF after 120 minutes
Press button again within 3 seconds	ON	All lights flash once then go OFF	The output will stay ON indefinitely
TO TURN OFF			
Wait 3 seconds then press button	OFF	All lights go OFF	The output will stay OFF indefinitely
CHANGE DEFAULT			
Press button and hold for 5 seconds	OFF	All lights flash ON, then go OFF	This will change the default for the first time the button is pushed. The factory setting is ON continuous for the first time the button is pushed
Press button again within 3 seconds	OFF	The 15 minute light will come ON and stay ON	The default will be changed to 15 minutes
Press button again within 3 seconds	OFF	The 45 minute light will come ON and stay ON	The default will be changed to 45 minutes
Press button again within 3 seconds	OFF	The 60 minute light will come ON and stay ON	The default will be changed to 60 minutes
Press button again within 3 seconds	OFF	The 120 minute light will come ON and stay ON	The default will be changed to 120 minutes
Press button again within 3 seconds	OFF	All lights go ON and stay ON	The default will be changed to ON indefinitely
Don't press the button for 5 seconds	OFF	All lights flash ON twice then go OFF	The default program will be exited



TT-ET4P & TT-ET4L HEATED TOWEL RAIL SWITCH

The TT-ET4P & TT-ET4L has been developed for use with heated towel rails. It can also be used with other appliances that are suitable to be used on a 24 hour cycle.



OPERATION

The TT-ET4 & TT-ET4L has 2 modes of operation:

- 1) The switch can be turned on manually for either 30 or 60 minutes.
- 2) The switch can function as a continuous timer which is intended to provide automatic towel heater operation in both the morning and evening. For example, the 2x4H cycle will turn ON for 4 hours and then OFF for 8 hours on a continuous cycle. Decide when you want the towel rail to be ON, setting it at 6pm at night turns the appliance on from 6pm to 10pm and again from 6am to 10am

Once the switch is turned ON the Envirotouch starts counting the ON hours immediately.



TO TURN ON	OUTPUT	LIGHTS	FUNCTION
Press button	ON	The 30 minute light will come ON and stay ON	Output will turn OFF after 30 minutes
Press button again within 3 seconds	ON	The 60 minute light will come ON and stay ON	Output will turn OFF after 60 minutes
Press button again within 3 seconds	ON	The 2x4H light will come ON and stay ON	Output will be ON for four hours. It will turn OFF for 8 hours. It will then turn ON again for 4 hours. It repeats this cycle indefinitely.
Press button again within 3 seconds	ON	The 2x6H light will come ON and stay ON	Output will be ON for six hours. It will turn OFF for 8 hours. It will then turn ON again for 6 hours. It repeats this cycle indefinitely.
Press button again within 3 seconds	ON	The 30 minute light will come ON and stay ON	Output will turn OFF after 30 minutes
TO TURN OFF			
Wait 3 seconds then press button	OFF	All lights go OFF	The output will stay OFF indefinitely
CHANGE DEFAULT			
Press button and hold for 5 seconds	OFF	All lights flash ON, then go OFF	This will change the default for the first time the button is pushed. The factory setting is 30MIN for the first time the button is pushed
Press button again within 3 seconds	OFF	The 60MIN minute light will come ON and stay ON	The default will be changed to 60 minutes
Press button again within 3 seconds	OFF	The 2x4H light will come ON and stay ON	The default will be changed to 2x4H
Press button again within 3 seconds	OFF	The 2x6H light will come ON and stay ON	The default will be changed to 2x6H
Press button again within 3 seconds	OFF	All 30MIN light go ON and stay ON	The default will be changed to ON indefinitely
Don't press the button for 5 seconds	OFF	All lights flash ON twice then go OFF	The default program will be exited

SAFETY

Independent laboratory testing has confirmed Thermofilm's full compliance with Australian and other International Standards. This includes AS/NZ.

The fixed wiring must be installed by a licensed electrician in accordance with the relevant local wiring regulations.

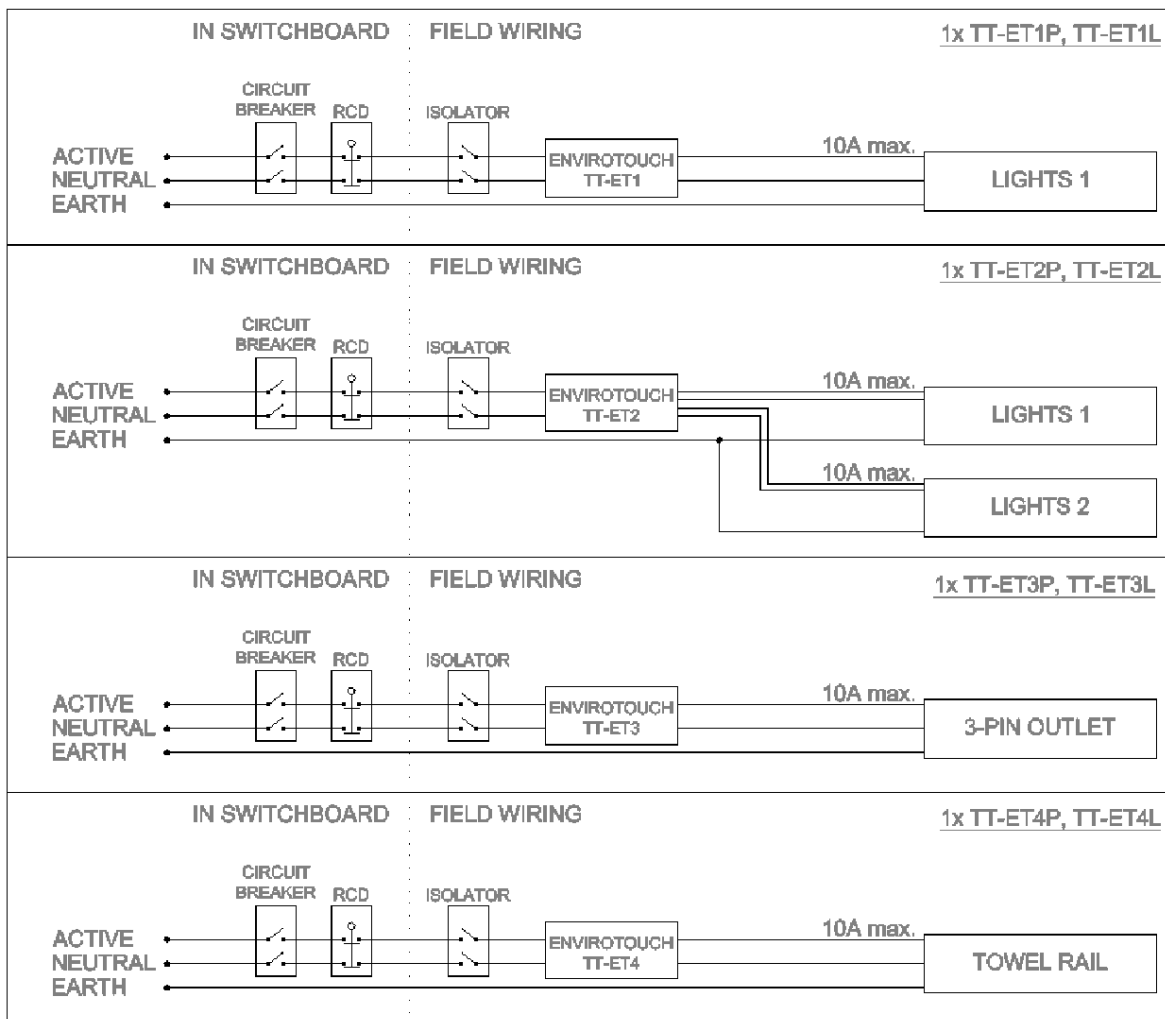
This appliance is not intended for use by persons (including children) with reduced physical, sensory or intellectual capabilities, or lack of experience and knowledge, unless they have been given supervision or instruction concerning use of the appliance by a person responsible for their safety. Children should be supervised to ensure they do not play with the appliance.

If installed in wet areas, the switches must be located so that they cannot be touched by persons in the bath or shower.

MAINTENANCE

It is recommended that you clean your Envirotouch Wall Controller. With a soft cloth, gently wipe the surfaces of the controller with a mild detergent to remove the built up contaminants from the environment. Then with a clean cloth ensure all detergent is removed.

Do not use any abrasive materials or products to clean the switch, this includes solvents, citrus based cleaners or other harsh cleaning products.



WARRANTY TERMS & CONDITIONS

The below Warranty Terms and Conditions apply for **New Zealand and Australia only**.

Thermofilm warrants to the original owner that the Envirotouch™ product will be free from defects in materials and workmanship for a period of 12 months from the date of purchase in accordance with the following warranty terms and conditions.

Provision of this warranty is subject to:

- The envirotouch™ product must be installed in accordance with the Installation Instructions and relevant electrical standards and codes.
- The envirotouch™ product must be maintained and cleaned according to instructions detailed in the Installation Manual.
- There is no warranty expressed or implied with regard to capacity requirements. The selection of the unit or units depends entirely upon the system design and capacities as determined by the purchaser.
- The customer has not repaired, opened or altered the product in any unauthorised manner.
- This warranty excludes damage to the product or components arising from circumstances outside the control of Thermofilm, including, but not limited to, where the product is not used for intended purpose; where the product has been rectified in any way; incorrect installation; incorrect power supply; damaged caused during delivery; misapplication, misuse, abuse, vandalism, lack of maintenance or accident.
- Thermofilm's obligations under this warranty are limited to repair or replacement at Thermofilm's factory of any components of the product which Thermofilm identifies to its satisfaction to be defective.
- Transportation charges involved in return of the product to the Thermofilm factory (or any other location authorised in writing by Thermofilm) is the sole responsibility of the customer.
- All products are inspected and tested before despatch and are at the risk of the purchaser after the shipment from the Thermofilm factory, if not delivered by Thermofilm to destination.
- No products or components will be supplied in advance of an examination of the faulty product or components by Thermofilm or an authorized representative of Thermofilm.
- Thermofilm does not participate in any site related costs or labour expenses incidental to replacement of parts, repairing, removing, installing, servicing, transportation or handling of parts to complete products, and assumes no liability on parts repaired or replaced without written authorisation. Thermofilm shall not be liable for any default or delay in performance of its warranty obligations caused by any circumstances beyond its control, including, but not limited to, judicial or government restrictions, strikes, fires, floods, abnormal weather conditions, delayed supply of components.

Should products be determined as damaged on arrival, immediately notify the transport company of the condition and have them noted on the freight documents. If damage is discovered after unpacking, demand immediate inspection by the transportation company and insist that a record of the damage is made on the freight documentation.

The customer warrants using the product in accordance with:

- Any instructions provided to it by Thermofilm from time to time.
- All government and local regulations, including but not limited to all relevant electrical, environmental laws and regulations governing the installation, storage, use, handling and maintenance of the goods.
- All necessary and appropriate precautions and safety measures relating to the installation, storage, use, handling and maintenance of goods.

Our goods come with guarantees that cannot be excluded under the Australian Consumer Law. You are entitled to a replacement or refund for a major failure and for compensation for any other reasonably foreseeable loss or damage. You are also entitled to have the goods repaired or replaced if the goods fail to be of acceptable quality and the failure does not amount to a major failure.

All warranty requests for repairs or replacements must be accompanied by a complete "Warranty Claim Form" available from Thermofilm, together with proof of purchase (and where possible, photos of the installation) and the heater returned to the place of purchase.

In the event of a warranty claim, the goods need to be returned to the distributor/retailer for repair/replacement. Contact

Thermofilm Australia Pty Ltd

17 Johnston Court, Dandenong South, Victoria 3175, Australia

Telephone: (03) 9562 3455, Fax: (03) 9548 3979

Email: info@thermofilm.com.au

www.thermofilm.com.au

