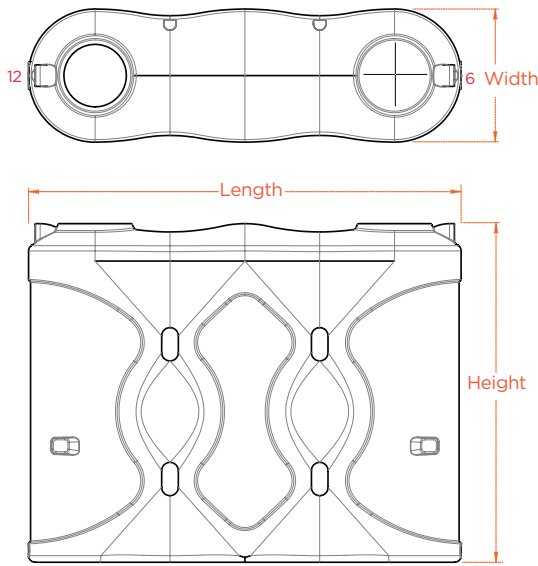
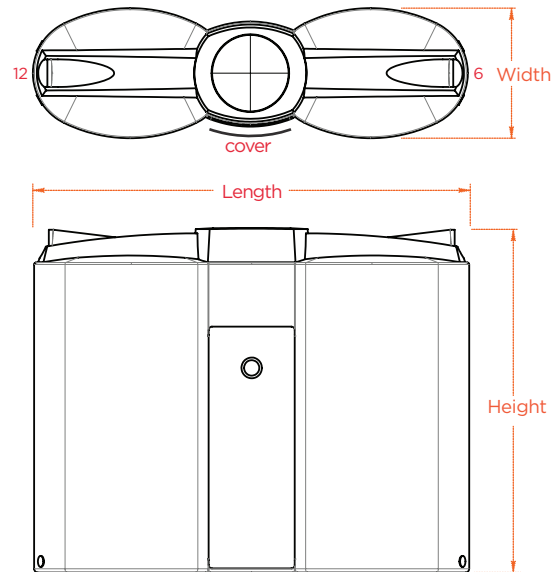


SLST SLENDASTYLE™ TANKS



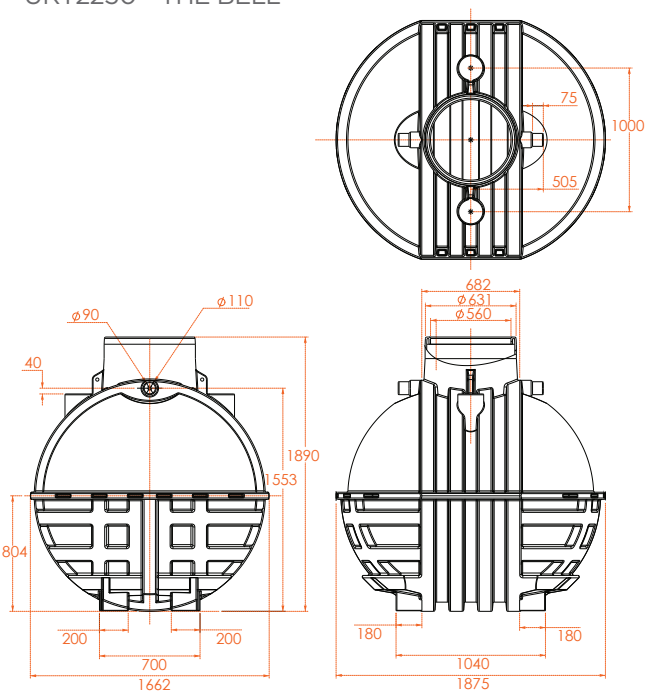
SLT2100 SLENDALINE™ TANKS



CODE	DIMENSIONS (mm)	OVERFLOW POSITION	OUTLET POSITION	SIEVE POSITION
SLST600	1220L x 580W x 1265H	12:00 Std/6:00 Alt	6:00 Std/12:00 Alt	6:00 Std/12:00 Alt
SLST1050	1460L x 690W x 1515H	12:00 Std/6:00 Alt	6:00 Std/12:00 Alt	6:00 Std/12:00 Alt
SLST2000	2290L x 600W x 2050H	12:00 Std/6:00 Alt	6:00 Std/12:00 Alt	6:00 Std/12:00 Alt
SLST3000	2570L x 790W x 2050H	12:00 Std/6:00 Alt	6:00 Std/12:00 Alt	6:00 Std/12:00 Alt
SLST5000	3290L x 1020W x 2010H	12:00 Std/6:00 Alt	6:00 Std/12:00 Alt	6:00 Std/12:00 Alt
SLT2100	2400L x 720W x 1880H	6:00 standard/12:00 Alt	7:00 standard/11:00, 1:00 Alt	Centre

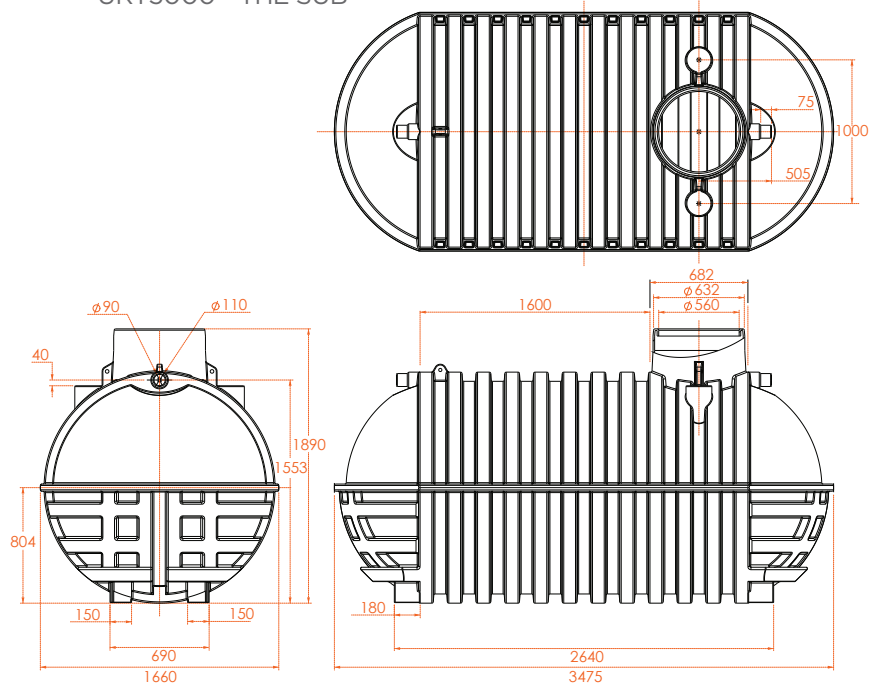
UNDERGROUND RAINWATER TANKS

URT2250 - THE BELL™



UNDERGROUND RAINWATER TANKS

URT5000 - THE SUB™



CODE	DIMENSIONS (mm)
URT2250B	1870L x 1600W x 1890H
URT5000B	3470L x 1600W x 1890H