

ASSEMBLY INSTRUCTIONS

LAVA RECTANGULAR BAR TABLE Item No. 0025671

<p>Leg(A)*2</p>	<p>Fig.1: Install the steel plate (E). Using the screw (H) with Allen Key (I), to fix the table leg (A). Note that the groove faces outwards.</p>	
<p>Leg Brace-1(B)*2</p>		
<p>Leg Brace-2(C)*2</p>	<p>Fig.2: Install the table leg support (B&C). Using the screw (G) loosely tighten with Allen Key(I) and then connects with leg tube (A).</p>	
<p>Leg Brace-3(D)*1</p>		
<p>Steel Plate(E)*4</p>		
<p>Glass(F)*1</p>		
<p>M6*15</p> <p>Bolt(G)*24</p>		<p>M6*15</p> <p>Bolt(H)*8</p>
<p>M6</p> <p>Allen Key(I)*1</p>		

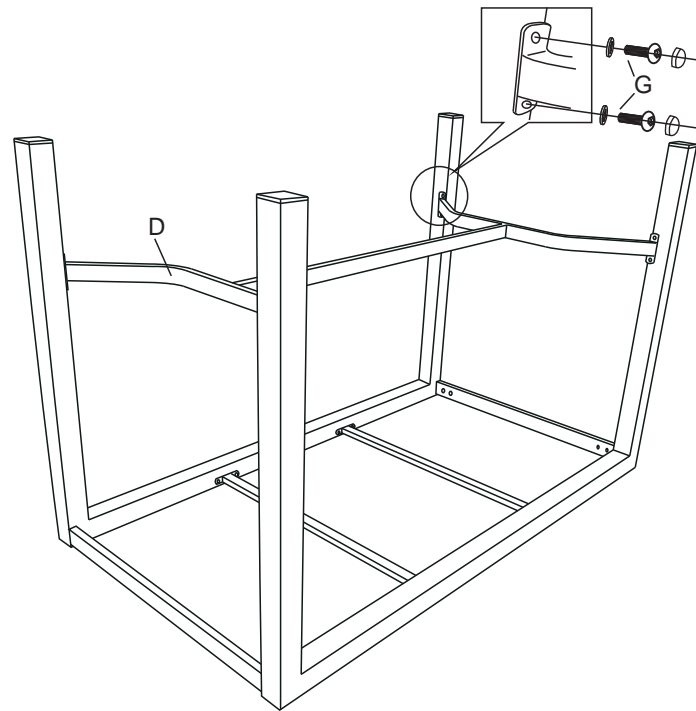


Fig.3: Install foot connection (D). Using the screw (G), connect the foot (D) with Allen key (I) and fix it on the table legs (A).
Note: Use a screw (G) to connect the foot (D) .After the upper holes are all fixed on the leg (A), then tighten with the Allen Key (I).

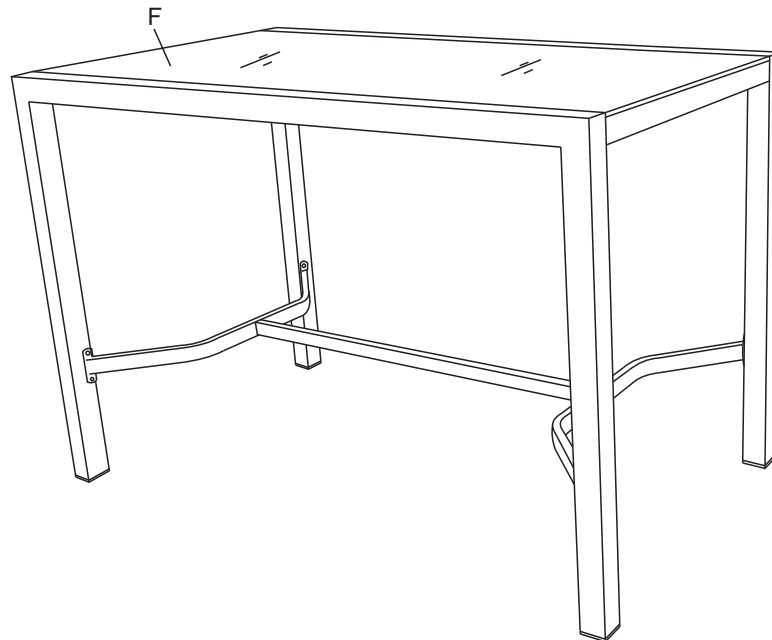


Fig.4: Make sure that all the screws are installed and tightened, turn the frame over and place the glass(F) on the table top.