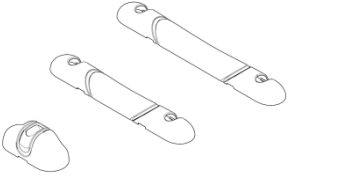
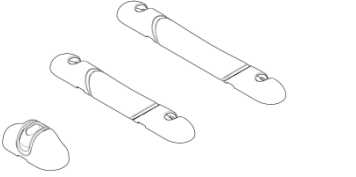
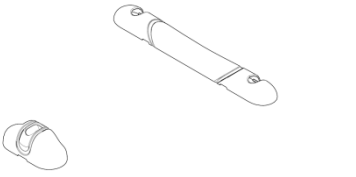
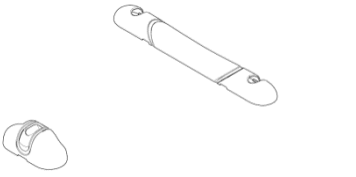

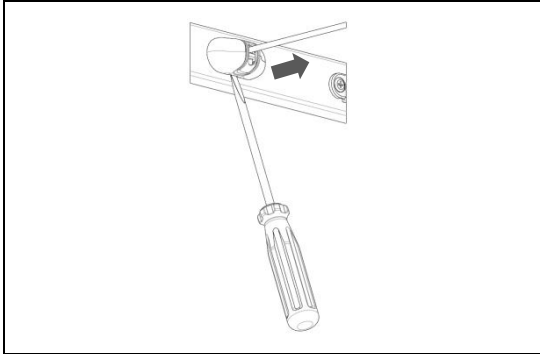


**TOPDRY Folding Frame – Tensioner Cover Set Installation Instructions**

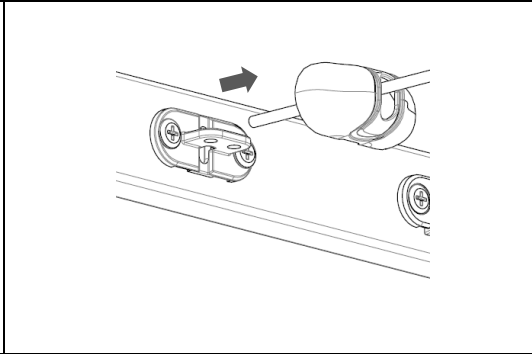
**Parts List**

AD05507	Tensioner Cover Set – Double Frame – Slate	
AD05508	Tensioner Cover Set – Double Frame – Smoke	
AD05509	Tensioner Cover Set – Single Frame – Smoke	
AD00510	Tensioner Cover Set – Single Frame – Slate	
AD05511	Tensioner Cover Set – Mini Slim and Long Frame	 x2

### Remove the old Tensioner Cover

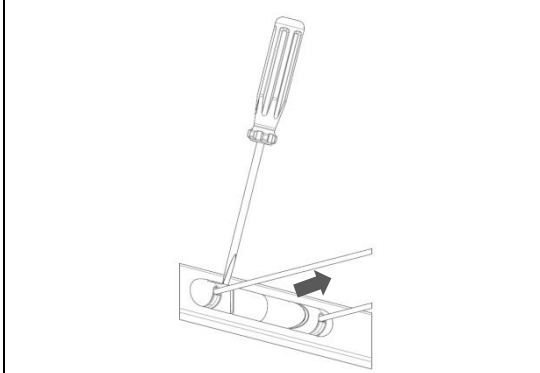


Use a flat bladed screwdriver to unclip the Tensioner Cover from the arm.

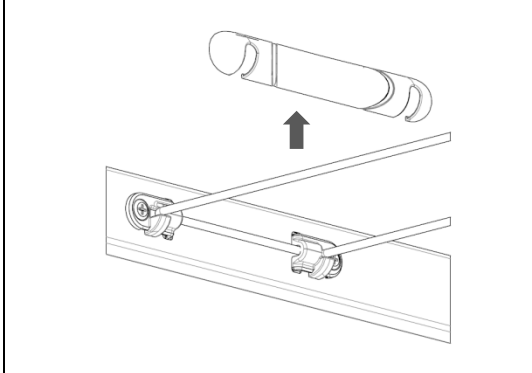


Unthread the line and remove the Tensioner Cover.

### Remove the old Line Hook Cover



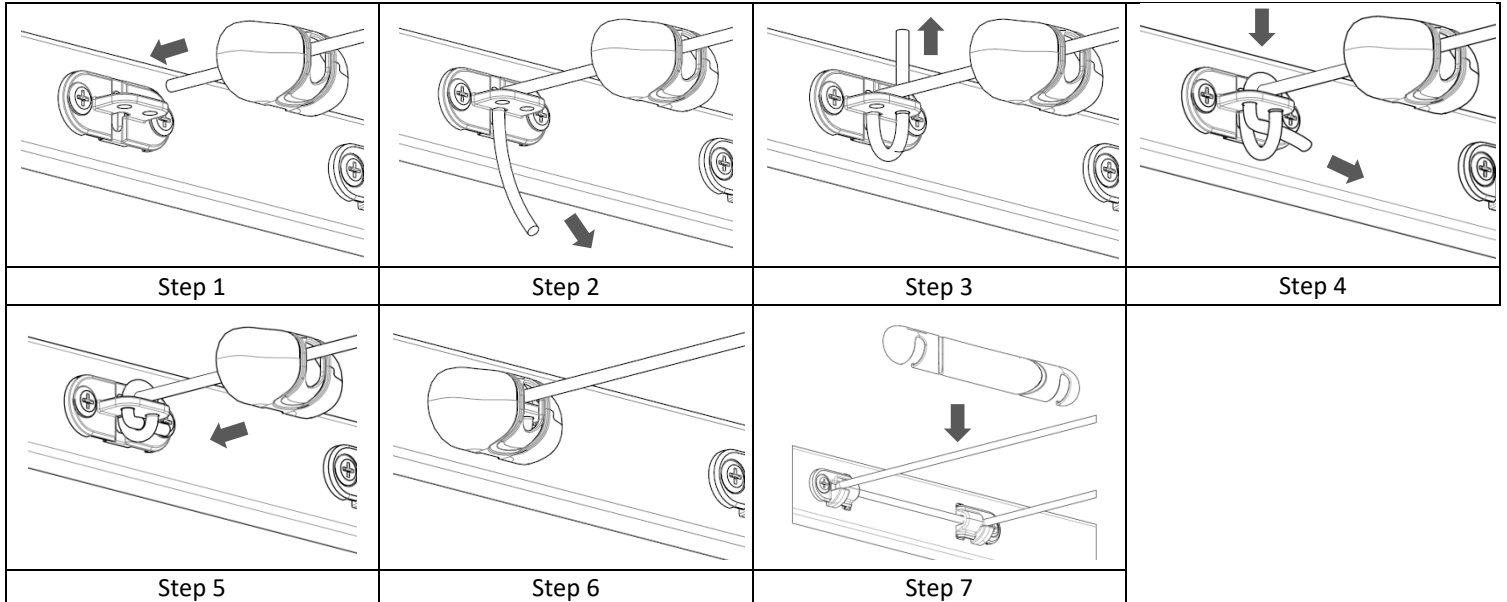
Use a flat bladed screwdriver to unclip the Line Hook Cover from the arm



The Line Hook Cover has slots so it can be lifted upwards without removing the line

## Fit the new Tensioner Covers, Line Hook Covers and re-thread the line.

1. Thread the Tensioner Cover over the end of the line
2. Pull the line down through the tensioner
3. Loop the line back up through the right hand hole leaving a loop below
4. Loop the line over and thread the line down the left hand hole pulling tight, feed the end of the line through the loop
5. Pull tight and trim the excess length
6. Clip the Tensioner Cover into position
7. Clip Line Hook Covers into position. Note: TOPDRY Double uses small Line Hook Covers on the inner frame and large Line Hook Covers on the outer frame.



### Notes:

Over time the line may stretch and cause the lines to sag. This can be corrected by pulling the lines tight and re-tensioning, cutting off any excess so that the Tensioner Cover can be refitted. Take care not to over tension the lines as this may cause the arms to be distorted.