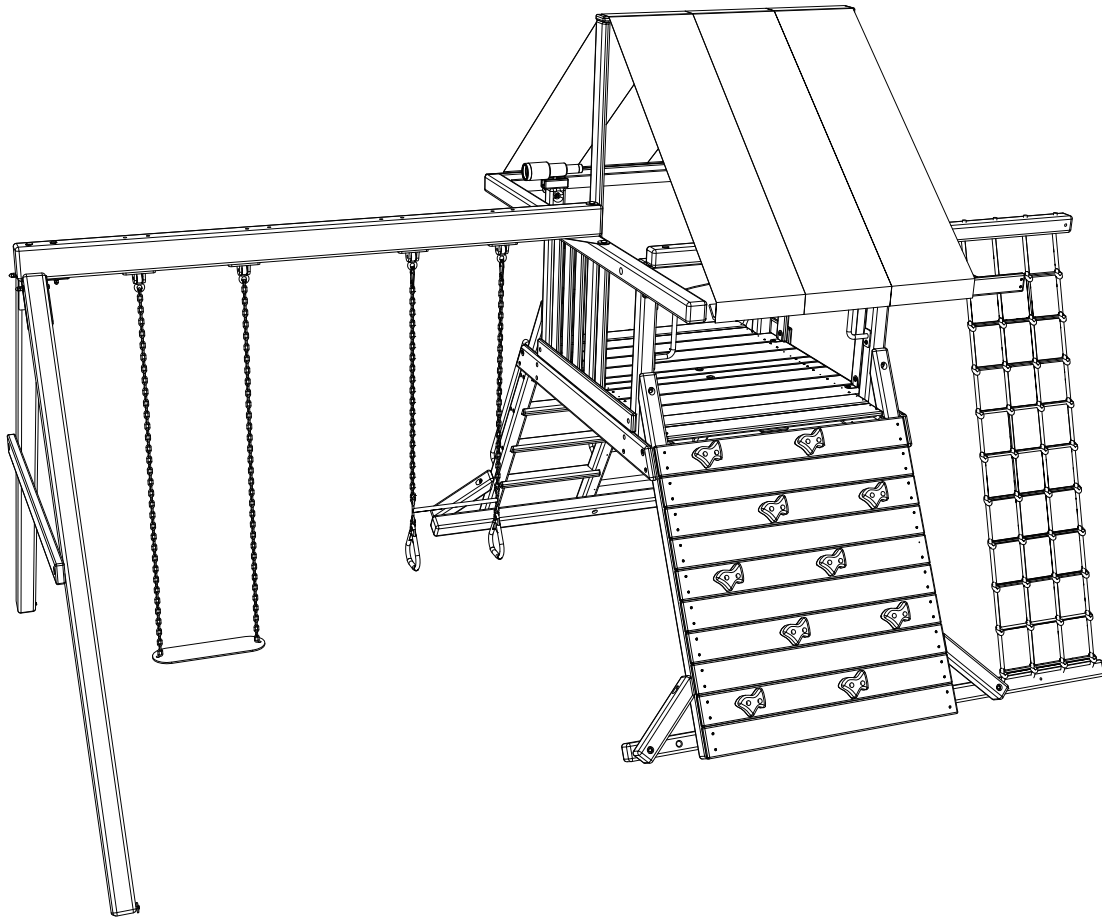


KOSCIUSZKO Playset

Mountain of Fun



*Slide Not Included

WARNING: ONLY FOR DOMESTIC OUTDOOR USE.
THIS PLAYSET SATISFIES ALL THE REQUIREMENTS OF THE AUSTRALIAN STANDARD AS/NZS ISO 8124 AND
HAS BEEN CERTIFIED BY AN INDEPENDENT LABORATORY. TO GUARANTEE SAFETY, PLEASE GIVE SPECIAL
ATTENTION TO THE ASSEMBLY, SAFETY, AND CARE INSTRUCTIONS DETAILED IN THIS DOCUMENT.

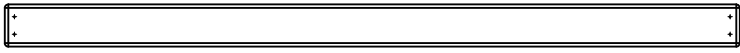
Warning: Maximum fall height is 118.5 cm



3-12
Years

NOT TO BE USED BY ANYONE WEIGHING OVER 50KGS,
SIMULTANEOUSLY NOT TO EXCEED A COMBINED WEIGHT OF 150KGS.

060001 x2



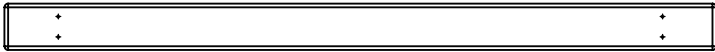
1327*76*22

060014 x1



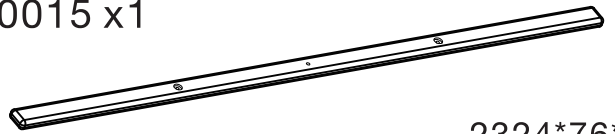
1403*133*22

060002 x2



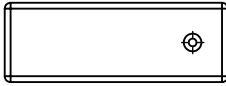
1219*79*22

060015 x1



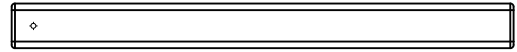
2324*76*35

060003 x2



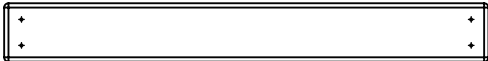
241*85*22

060017 x1



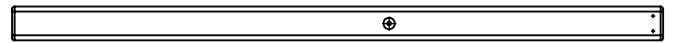
987*85*35

060004 x6



711*85*22

060018 x1



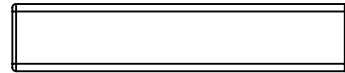
1644*85*35

060005 x1



1117*85*22

060019 x4



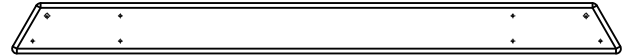
571*114*35

060007 x1



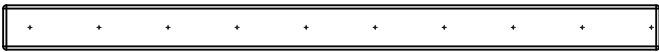
1219*85*22

060020 x2



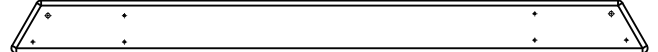
1628*133*35

060008 x1



1267*85*22

060021 x2



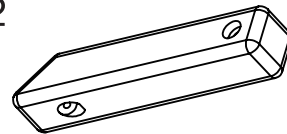
1628*133*35

060009 x4



1066*120*22

060025 x2



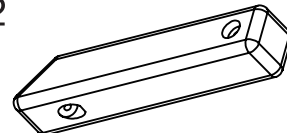
406*76*76

060010 x5



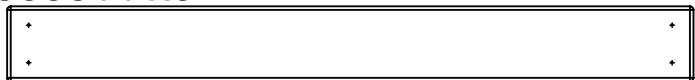
1219*133*22

060026 x2



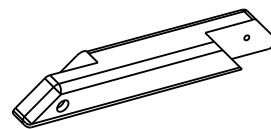
406*76*76

060011 x5



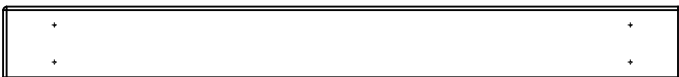
1219*133*22

060027 x1



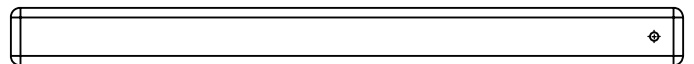
558*76*76

060012 x6



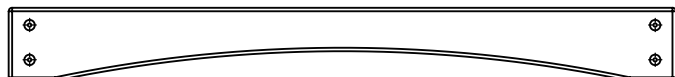
1219*133*22

060028 x1



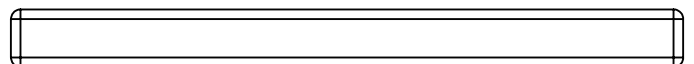
889*76*76

060013 x1



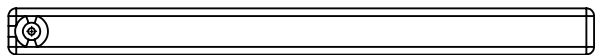
1219*133*22

060029 x1



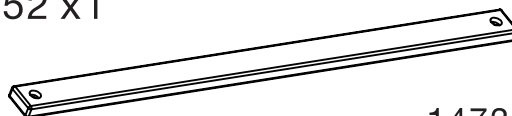
889*76*76

060030 x1



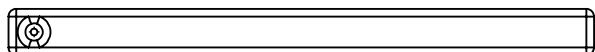
965*76*76

060052 x1



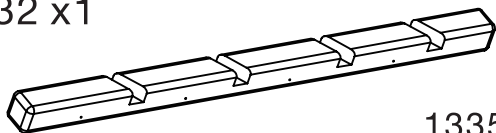
1473*86*35

060031 x1



965*76*76

060032 x1



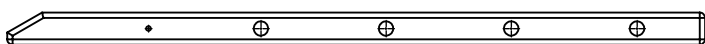
1335*76*76

060034 x1



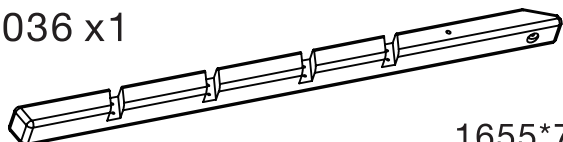
1844*76*76

060035 x1



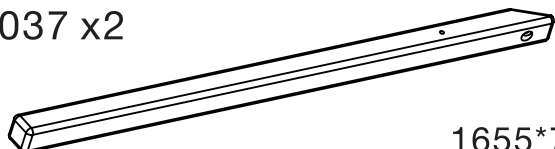
1655*76*76

060036 x1



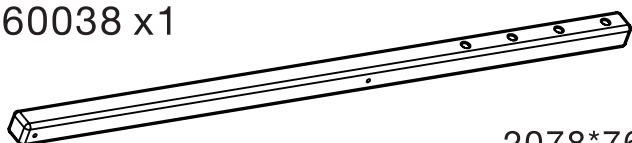
1655*76*76

060037 x2



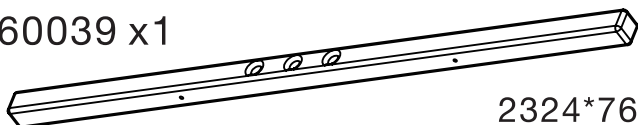
1655*76*76

060038 x1



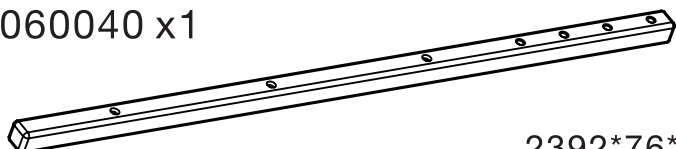
2078*76*76

060039 x1



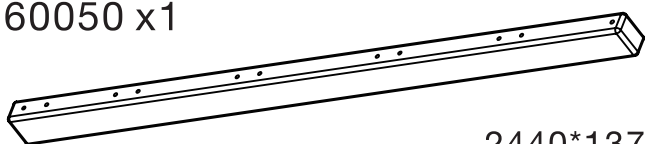
2324*76*76

060040 x1



2392*76*76

060050 x1


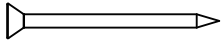
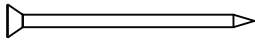
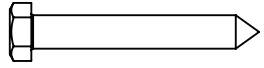
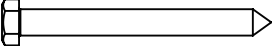
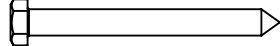
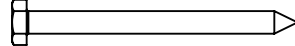
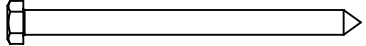
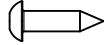
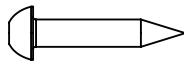
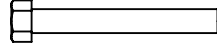
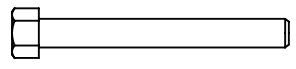
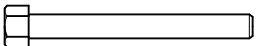
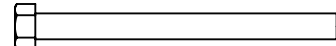
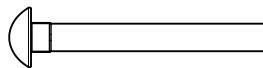
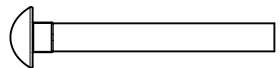
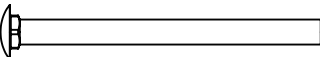
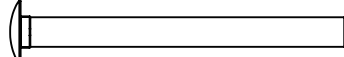
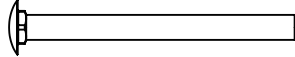
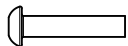
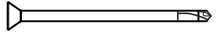
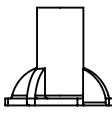
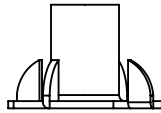
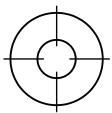
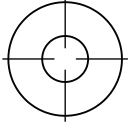
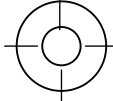
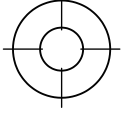
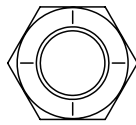
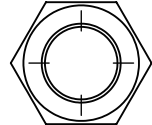

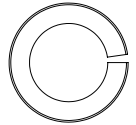
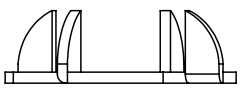
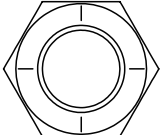
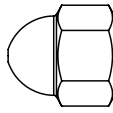
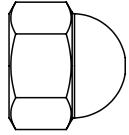
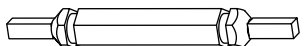
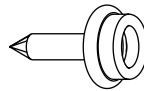


2440*137*86

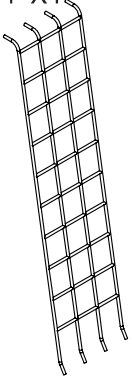
060051 x2



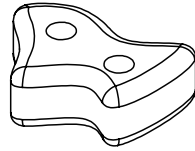
2311*86*86

<p>PCH-SWG07 X60</p>  <p>#8 x 38</p>	<p>PCH-SWG11 X113</p>  <p>#8 x 51</p>	<p>PCH-SWG12 X20</p>  <p>#8 x 64</p>	<p>PCH-SWA12 X6</p>  <p>M10 x 64</p>
<p>PCH-SWA08 X86</p>  <p>M6 x 76</p>	<p>PCH-SWA13 X10</p>  <p>M10 x 76</p>	<p>PCH-SWA14 X11</p>  <p>M10 x 89</p>	<p>PCH-SWA17 X13</p>  <p>M10 x 127</p>
<p>PCH-SWF11 X28</p>  <p>#14 x 25</p>	<p>PCH-SWF15 X6</p>  <p>#14 x 51</p>	<p>PCH-BTD48 X1</p>  <p>M10 x 64</p>	<p>PCH-BTD53 X2</p>  <p>M10 x 102</p>
<p>PCH-BTD54 X2</p>  <p>M10 x 108</p>	<p>PCH-BTD62 X4</p>  <p>M10 x 153</p>	<p>PCH-BTC02 X2</p>  <p>M12 x 76</p>	<p>PCH-BTC34 X2</p>  <p>M10 x 76</p>
<p>PCH-BTC43 X10</p>  <p>M10 x 165</p>	<p>PCH-BTC13 X1</p>  <p>M12 x 216</p>	<p>PCH-BTC41 X 4</p>  <p>M10 x 152</p>	<p>PCH-SWE02 X20</p>  <p>M6 x 32</p>
<p>PCH-SWH01 X8</p>  <p>#8 x 51</p>	<p>PCH-NTA01 X20</p>  <p>M6</p>	<p>PCH-NTA03 X5</p>  <p>M10</p>	
<p>PCH-WRC04 X15</p>  <p>M12</p>	<p>PCH-WRC06 X5</p>  <p>M19</p>	<p>PCH-WRC01 X140</p>  <p>M6</p>	<p>PCH-WRC03 X65</p>  <p>M10</p>
<p>PCH-NTC02 X14</p>  <p>M10</p>	<p>PCH-NTC03 X6</p>  <p>M12</p>	<p>PCH-WRE03 X18</p>  <p>M10</p>	<p>PCH-WRE04 X8</p>  <p>M12</p>
<p>PCH-WRD01 X10</p>  <p>M10</p>	<p>PCH-NTD03 X8</p>  <p>M10</p>	<p>PCH-NTB02 X24</p>  <p>M10</p>	<p>PCH-NTB03 X4</p>  <p>M12</p>
<p>PC-MS01 X1</p> 	<p>PCH-MSA01 X8</p> 		

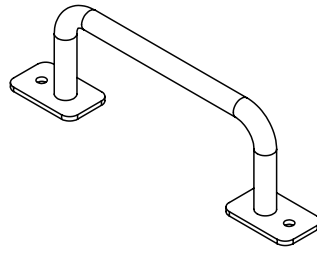
PC-AD04 X1



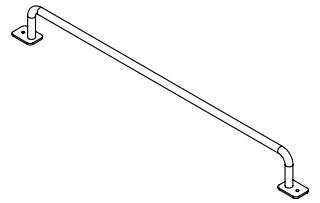
PC-RE01 X10



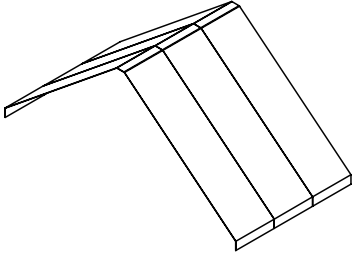
PC-RE04 X4



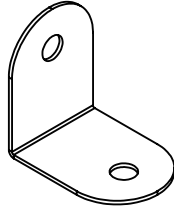
PC-RE05 X3



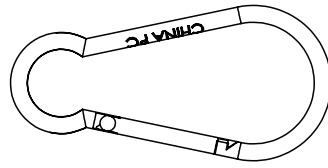
PC-RE07 X1



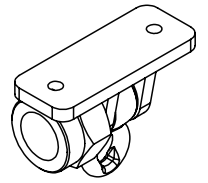
PC-BRC01 X2



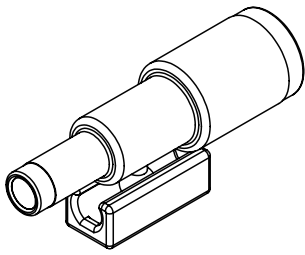
PC-BH04 X4



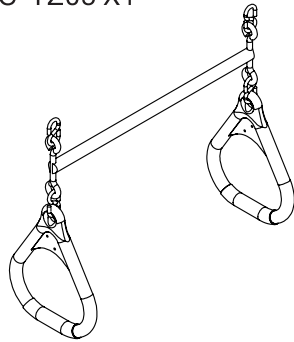
PC-HG02 X4



PC-DT04 X1



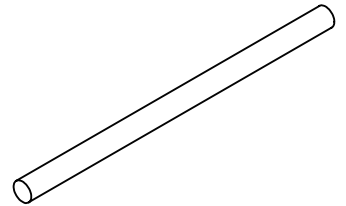
PC-TZ05 X1



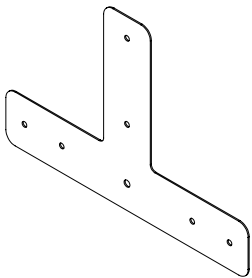
PC-SB04 X1



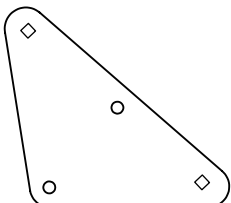
PC-RE09 X4



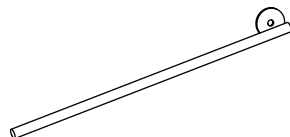
PC-BRB01 X1



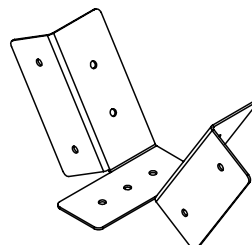
PC-BRA01 X1



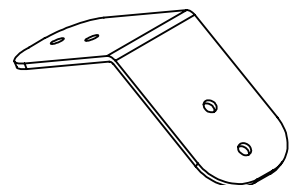
PC-BH10 X6



PC-BRA02 X1



PC-BRC03 X2



Climbing Wall Assembly (Front)

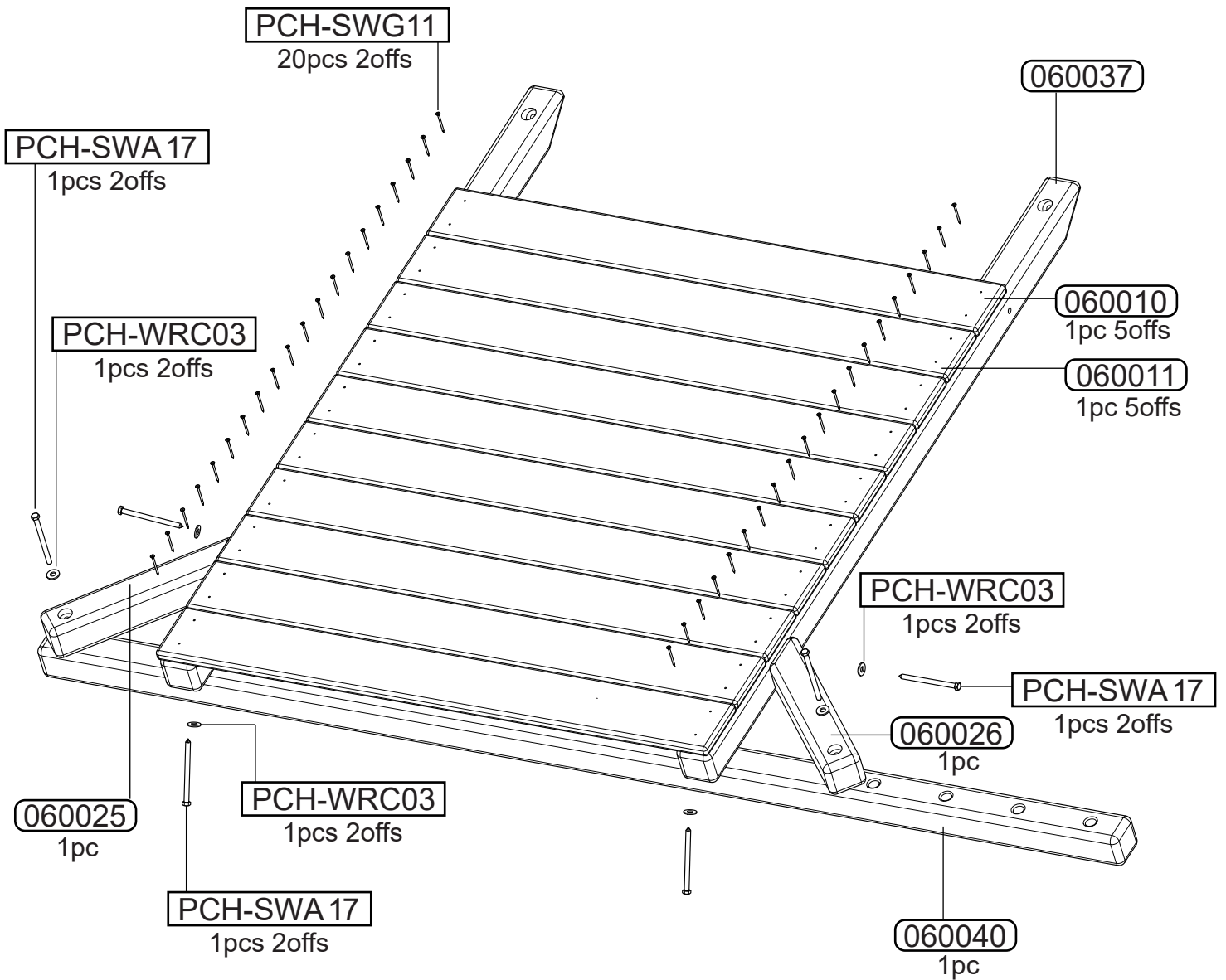
1

Lumber List

- 060010 x5
- 060011 x5
- 060025 x1
- 060026 x1
- 060040 x1
- 060037 x2

Fastener & Accessories

- PCH-SWG11 x40
- PCH-SWA17 x6
- PCH-WRC03 x6



Note:

060010 are predrilled with holes for climbing holds, please place the lumber pieces as the picture shows.

2

Climbing Wall Assembly (Back)

Lumber List

060008 x1

Fastener & Accessories

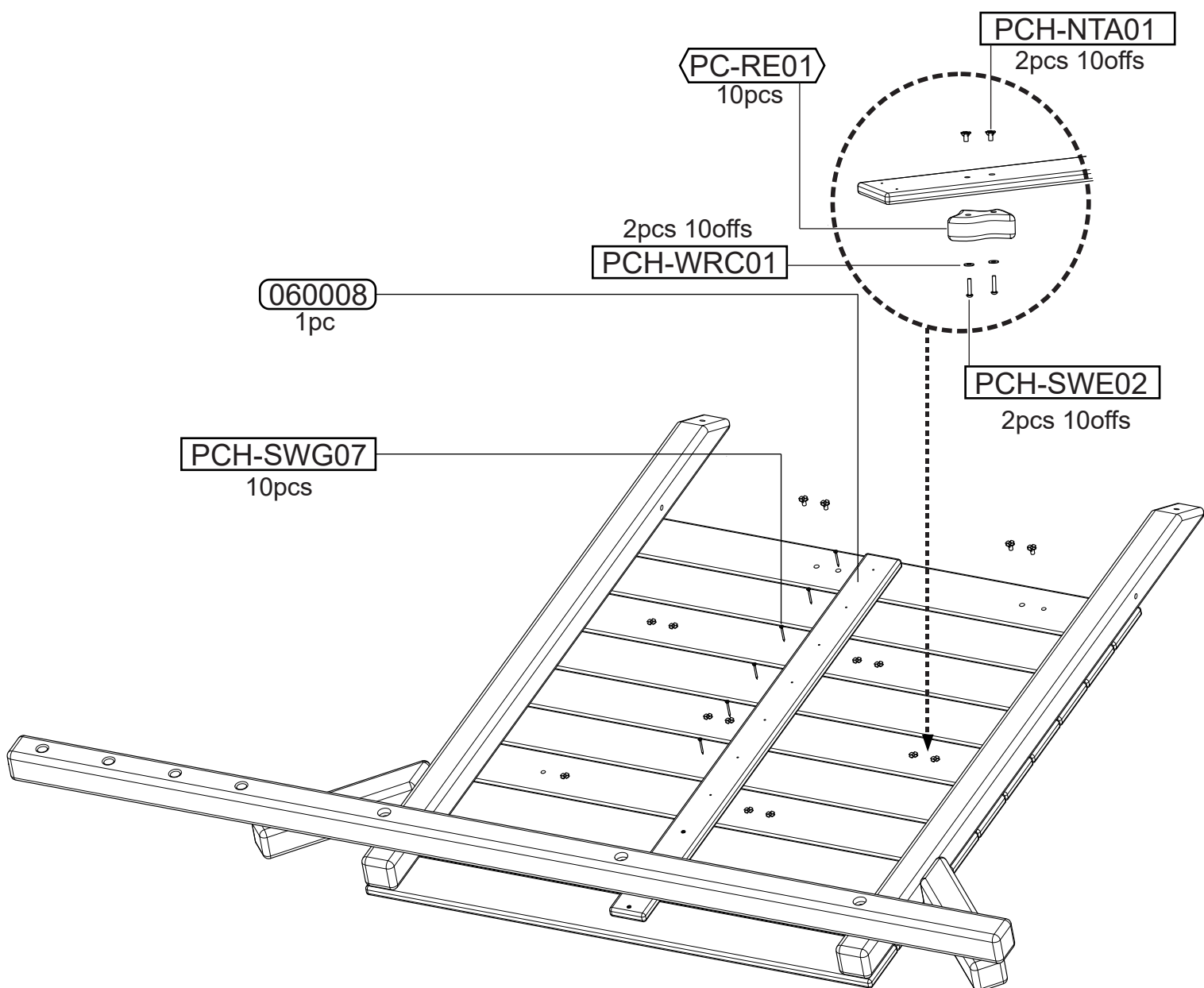
PCH-NTA01 x20

PCH-SWE02 x20

PCH-SWG07 x10

PCH-WRC01 x20

PC-RE01 x10



3

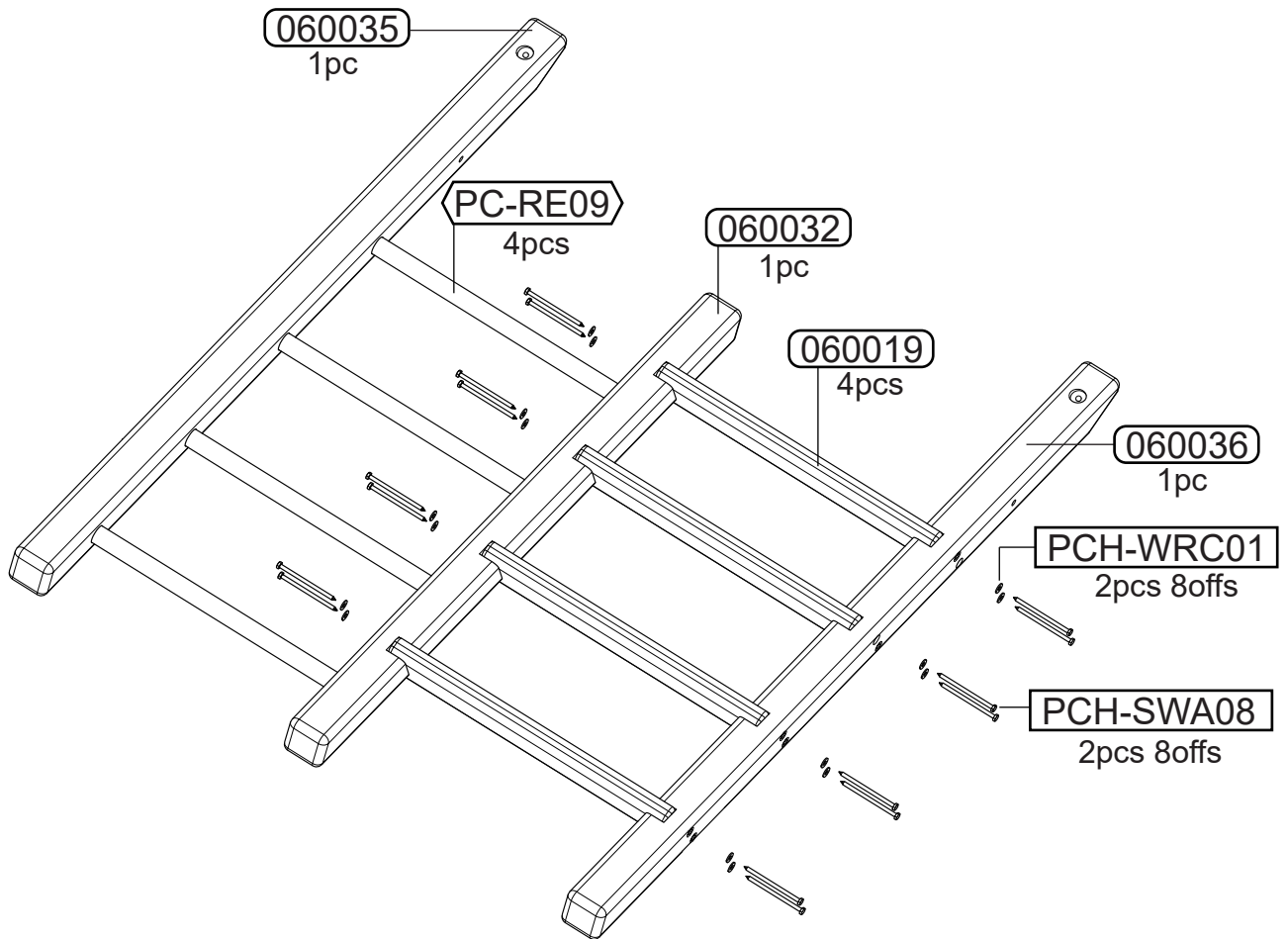
Step Ladder & Rung Combo Assembly (Front)

Lumber List

- 060019 x4
- 060035 x1
- 060036 x1
- 060032 x1

Fastener & Accessories

- PCH-SWA08 x16
- PCH-WRC01 x16
- PC-RE09 x4



4

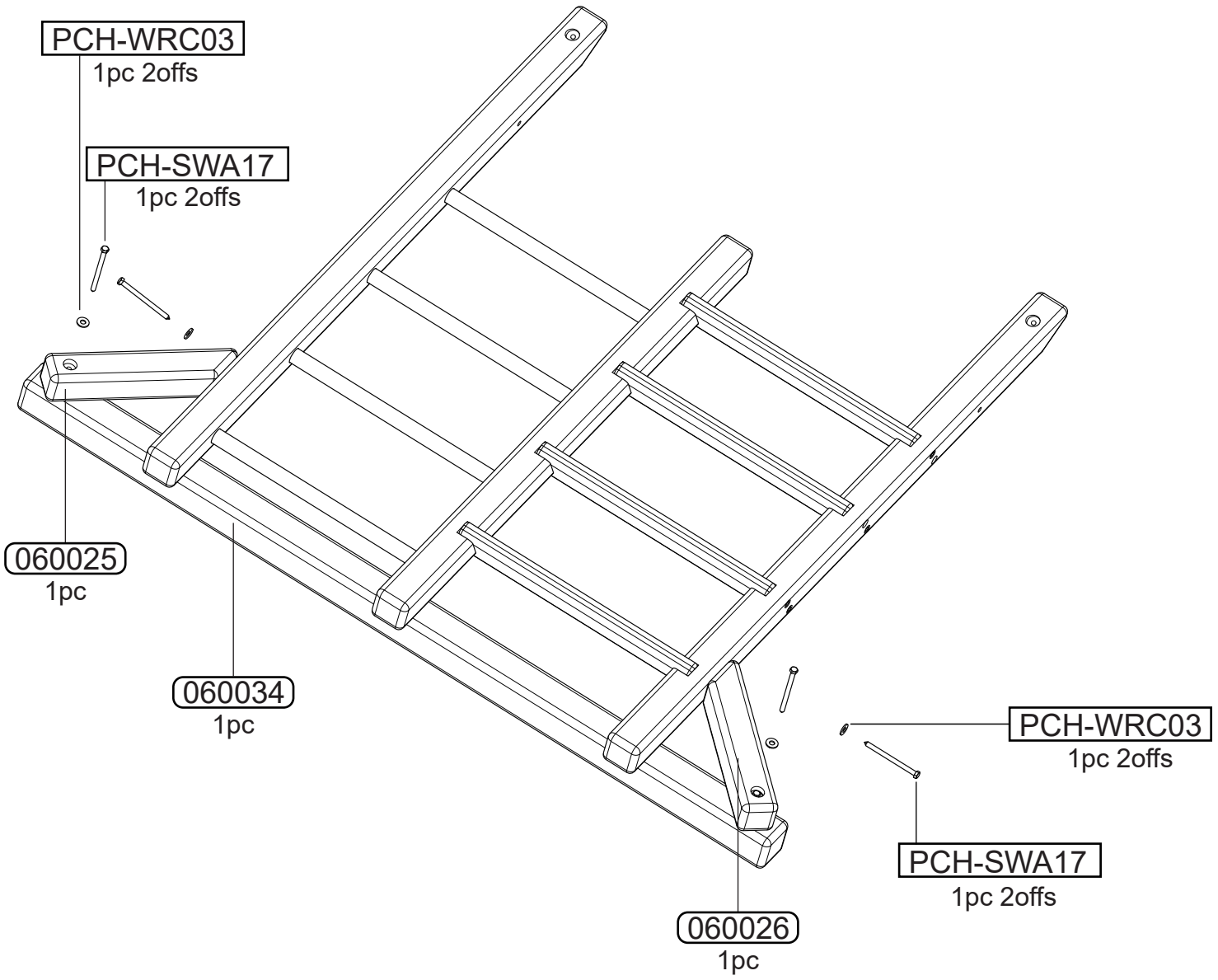
Step Ladder & Rung Combo Assembly (Front)

Lumber List

- 060025 x1
- 060026 x1
- 060034 x1

Fastener & Accessories

- PCH-SWA17 x4
- PCH-WRC03 x4



5

Step Ladder & Rung Combo Assembly (Back)

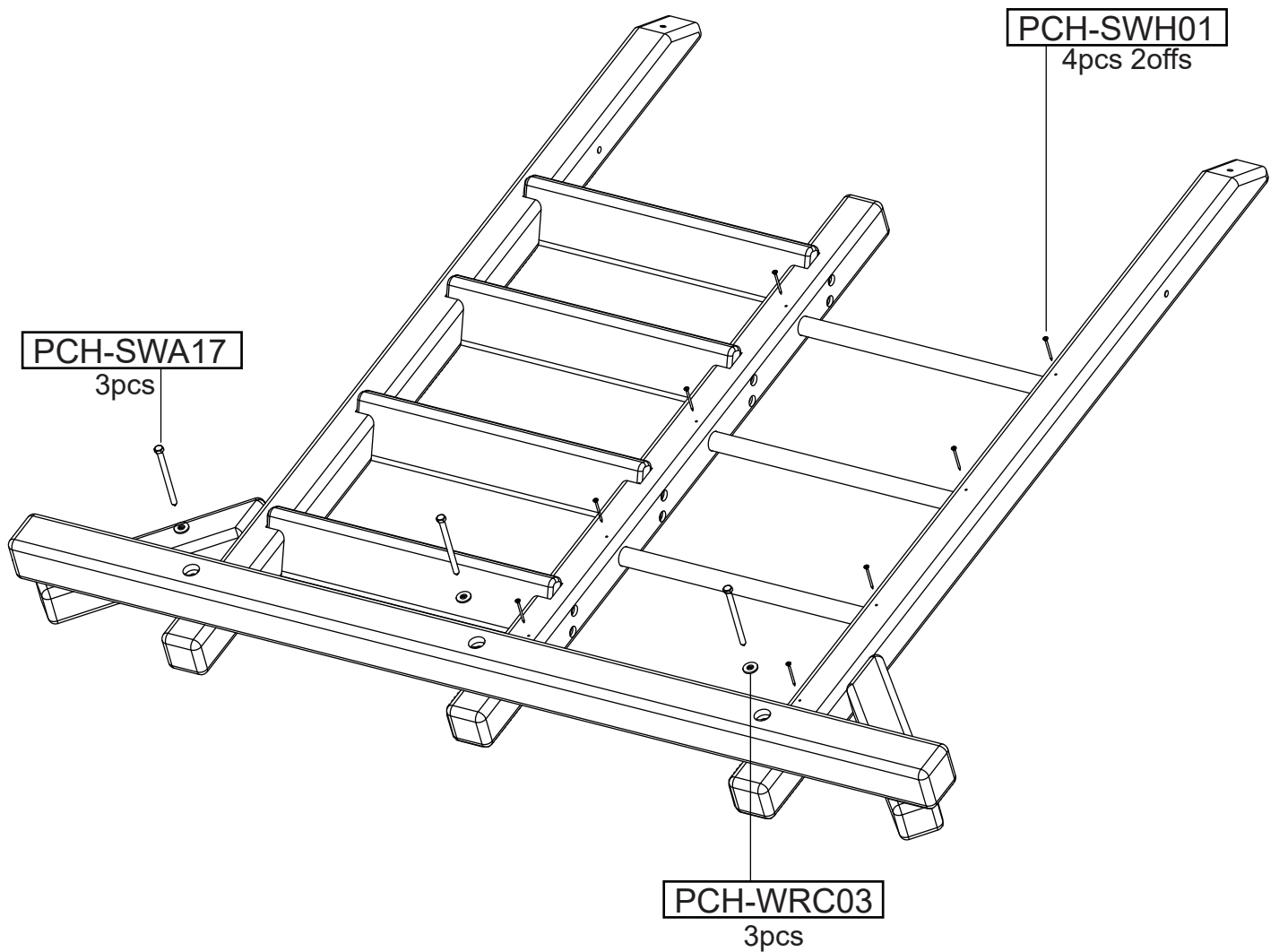
Lumber List

Fastener & Accessories

PCH-SWA17 x3

PCH-SWH01 x8

PCH-WRC03 x3



6

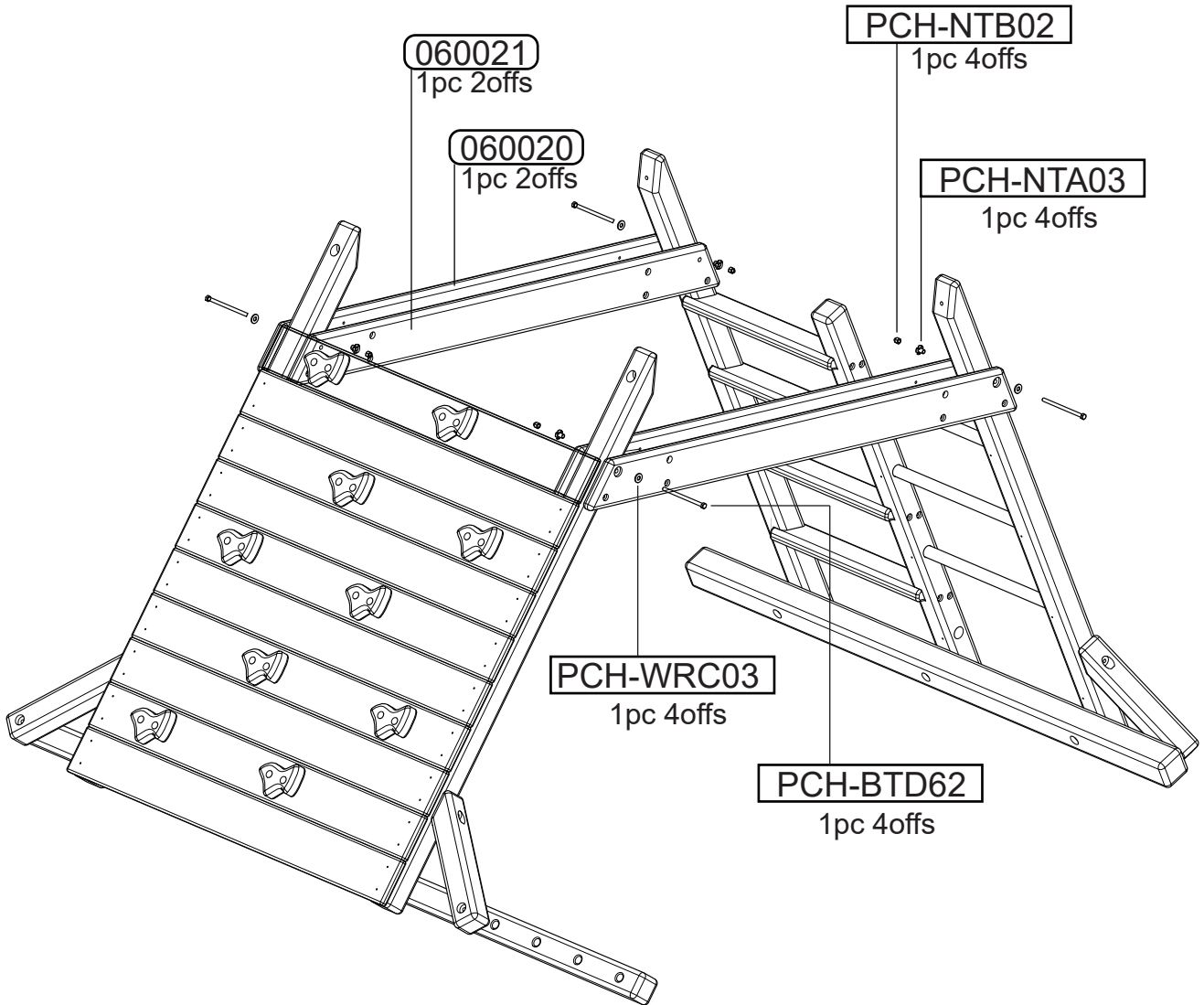
Connect Climbing Wall and Step Ladder

Lumber List

- 060020 x2
- 060021 x2

Fastener & Accessories

- PCH-BTD62 x4
- PCH-NTA03 x4
- PCH-NTB02 x4
- PCH-WRC03 x4



7

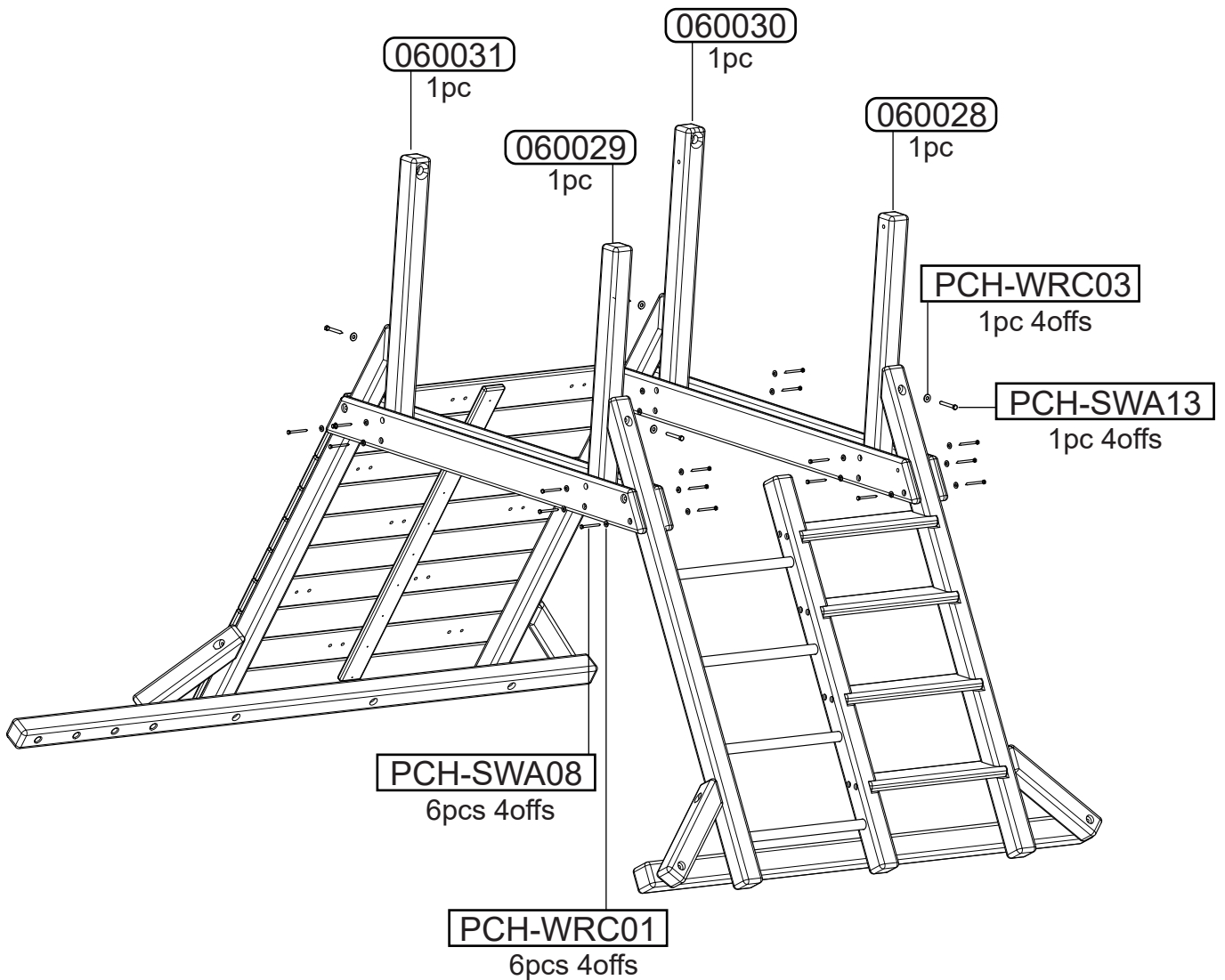
Assemble Uprights for Deck

Lumber List

- 060028 x1
- 060029 x1
- 060030 x1
- 060031 x1

Fastener & Accessories

- PCH-SWA08 x24
- PCH-SWA13 x4
- PCH-WRC01 x24
- PCH-WRC03 x4



Note:

For each position of PCH-SWA08, please screw from both outside and inside of the deck.

8

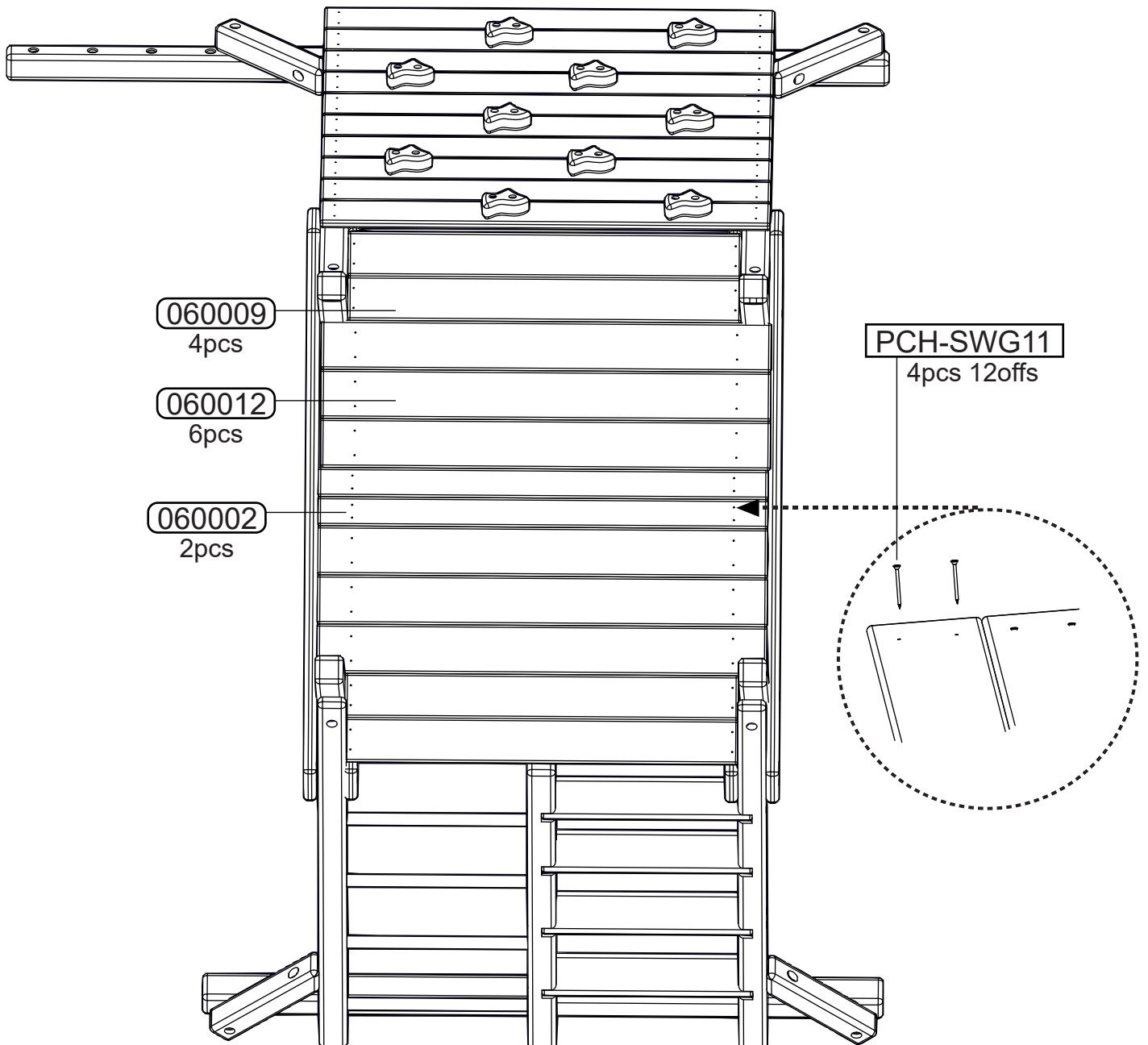
Screw in the Deck Boards

Lumber List

- 060009 x4
- 060012 x6
- 060002 x2

Fastener & Accessories

- PCH-SWG11 x48



9

Reinforce Deck Boards from Underneath

Lumber List

060014 x1

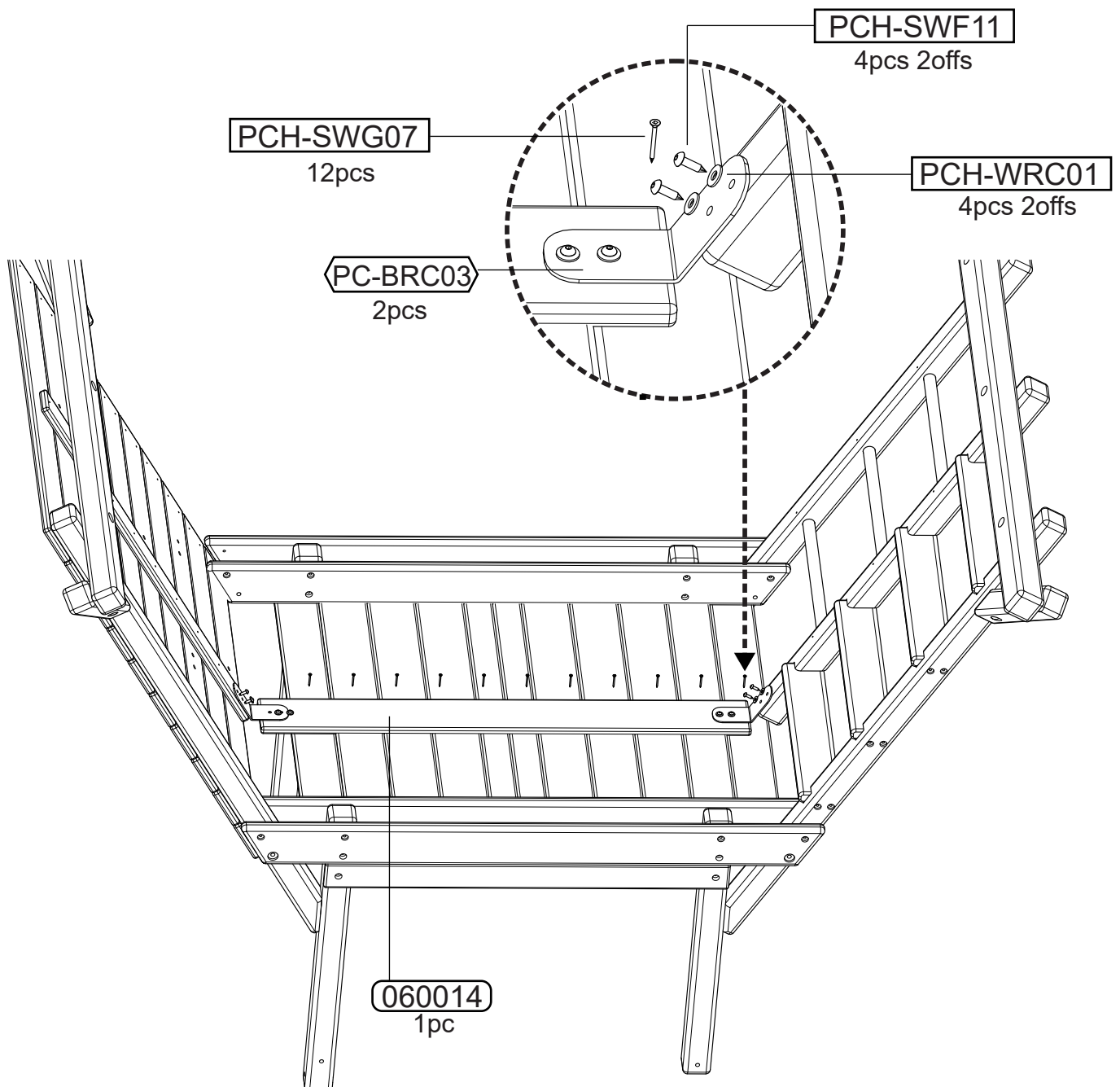
Fastener & Accessories

PCH-SWF11 x8

PCH-SWG07 x12

PCH-WRC01 x8

PC-BRC03 x2



10

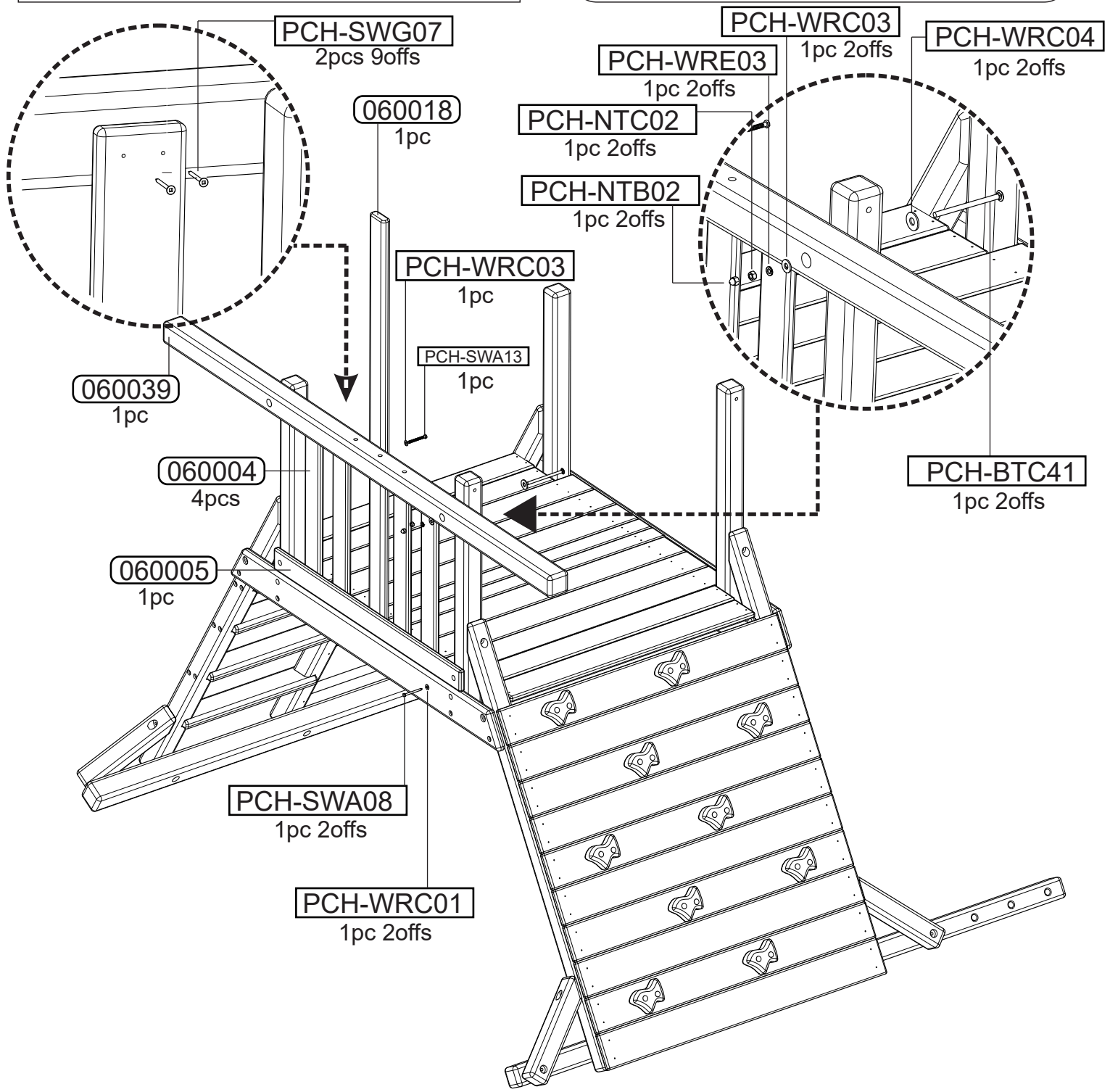
Add Swing Beam Cross Beam & Railings

Lumber List

- 060004 x4
- 060005 x1
- 060018 x1
- 060039 x1

Fastener & Accessories

- | | |
|---------------|--------------|
| PCH-NTB02 x2 | PCH-WRC01 x2 |
| PCH-NTC02 x2 | PCH-WRC03 x3 |
| PCH-SWA08 x2 | PCH-WRE03 x2 |
| PCH-SWA13 x1 | PCH-WRC04 x2 |
| PCH-SWG07 x18 | PCH-BTC41 x2 |



11

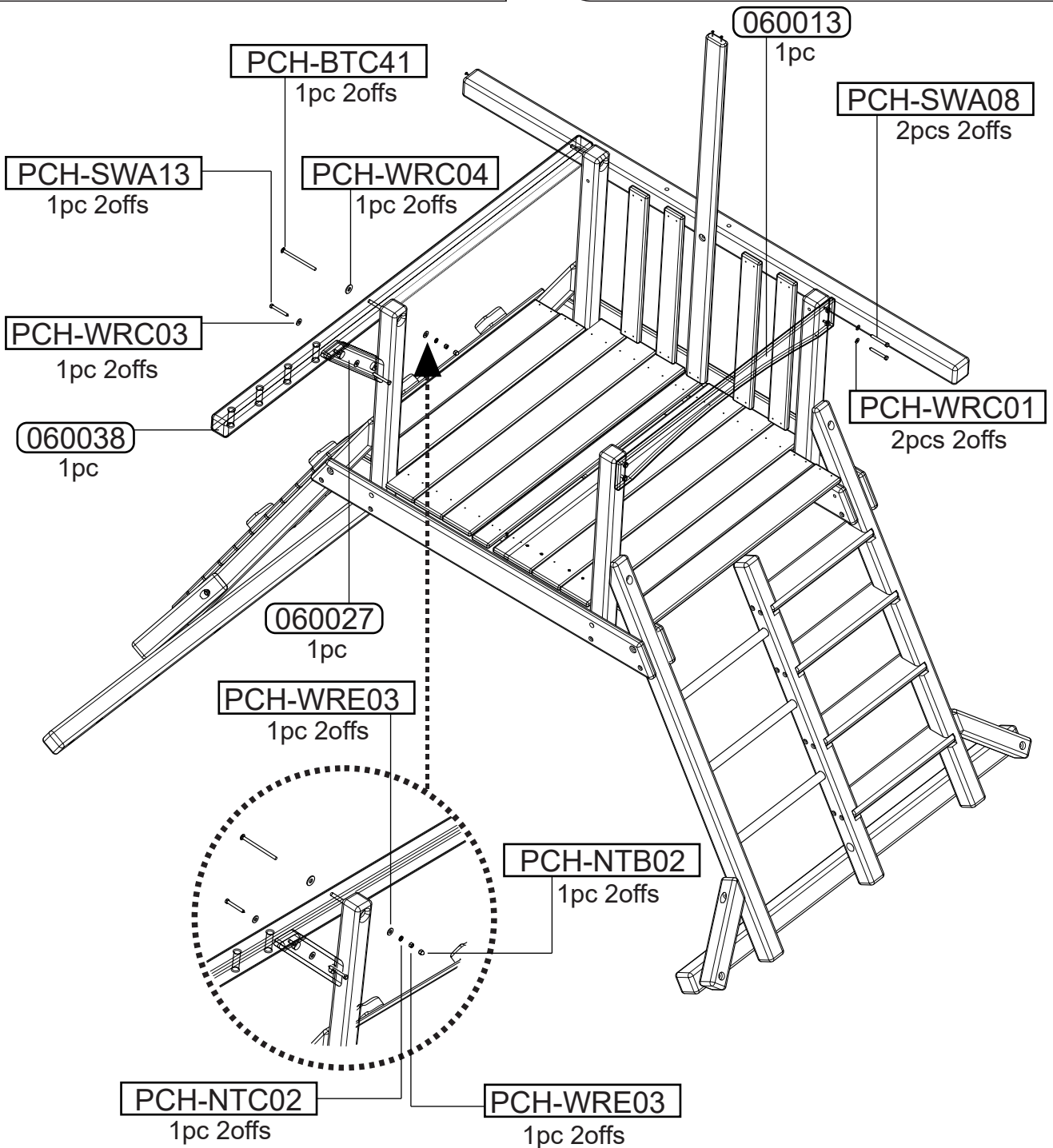
Add Rope Ladder Beam and Climbing Wall Entrance

Lumber List

- 060013 x1
- 060027 x1
- 060038 x1

Fastener & Accessories

- | | | | |
|-----------|----|-----------|----|
| PCH-SWA08 | x4 | PCH-WRC04 | x2 |
| PCH-WRC01 | x4 | PCH-WRE03 | x2 |
| PCH-SWA13 | x2 | PCH-NTB02 | x2 |
| PCH-WRC03 | x4 | PCH-NTC02 | x2 |
| PCH-BTC41 | x2 | | |



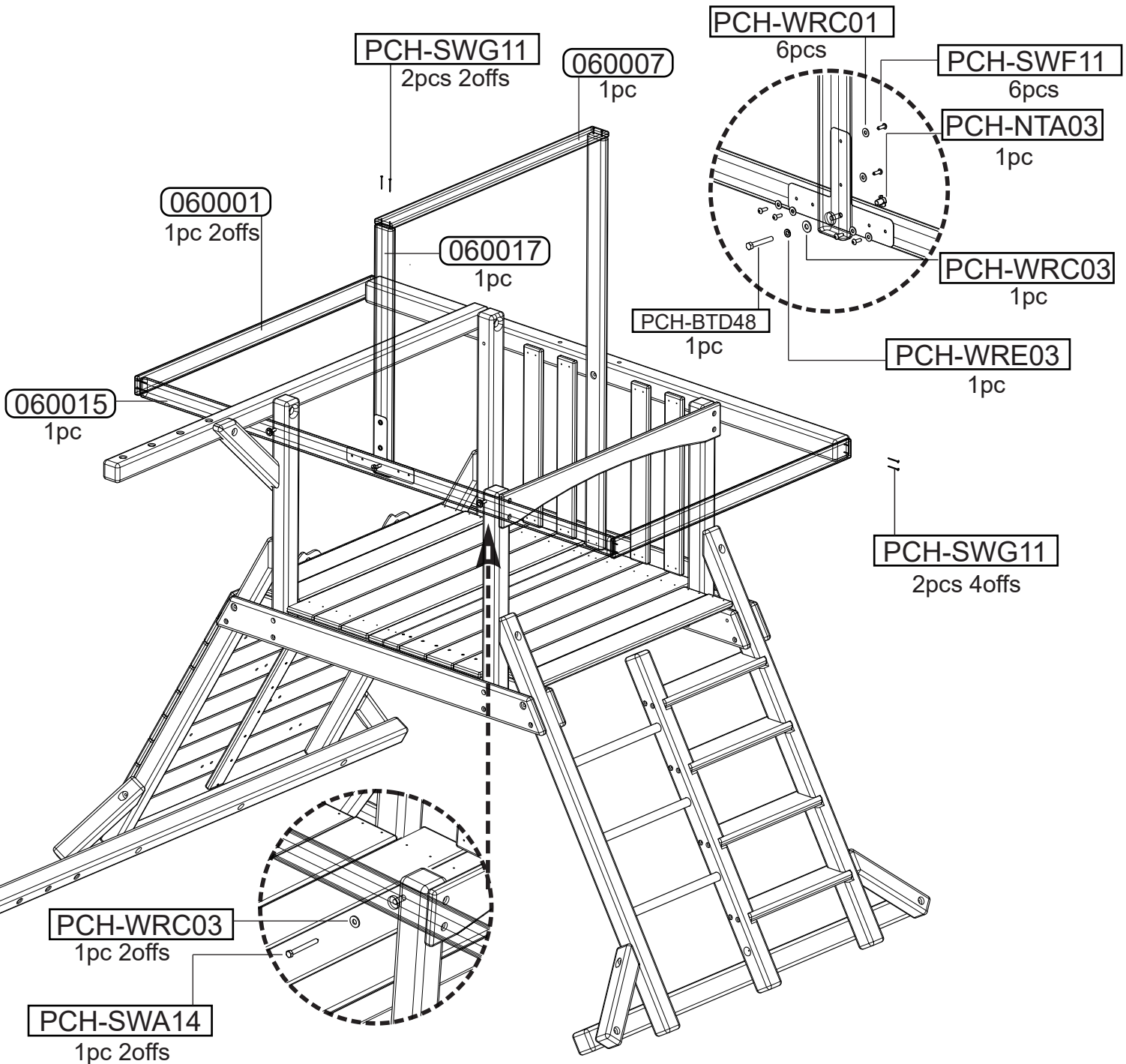
Add Supporting Frame for Canopy

Lumber List

- 060001 x2
- 060007 x1
- 060015 x1
- 060017 x1

Fastener & Accessories

- PCH-BTD48 x1
- PCH-NTA03 x1
- PCH-SWA14 x2
- PCH-SWF11 x6
- PCH-WRC01 x6
- PCH-WRC03 x3
- PCH-WRE03 x1
- PCH-SWG11 x12



13

Add Deck Railing and Facia (Slide Side)

Lumber List

060003 x2

060004 x2

Fastener & Accessories

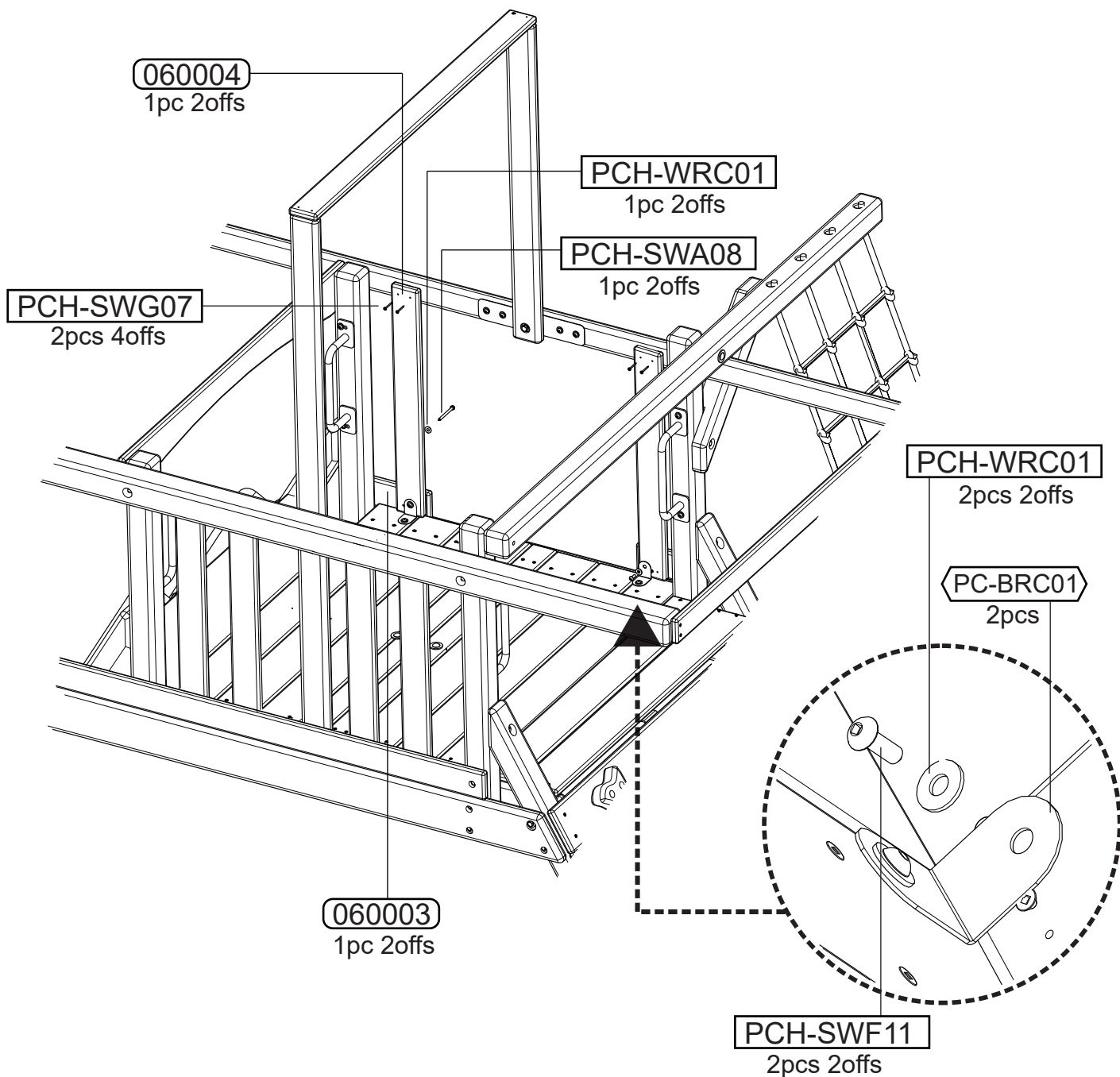
PCH-SWA08 x2

PCH-SWF11 x4

PCH-SWG07 x8

PCH-WRC01 x6

PC-BRC01 x2



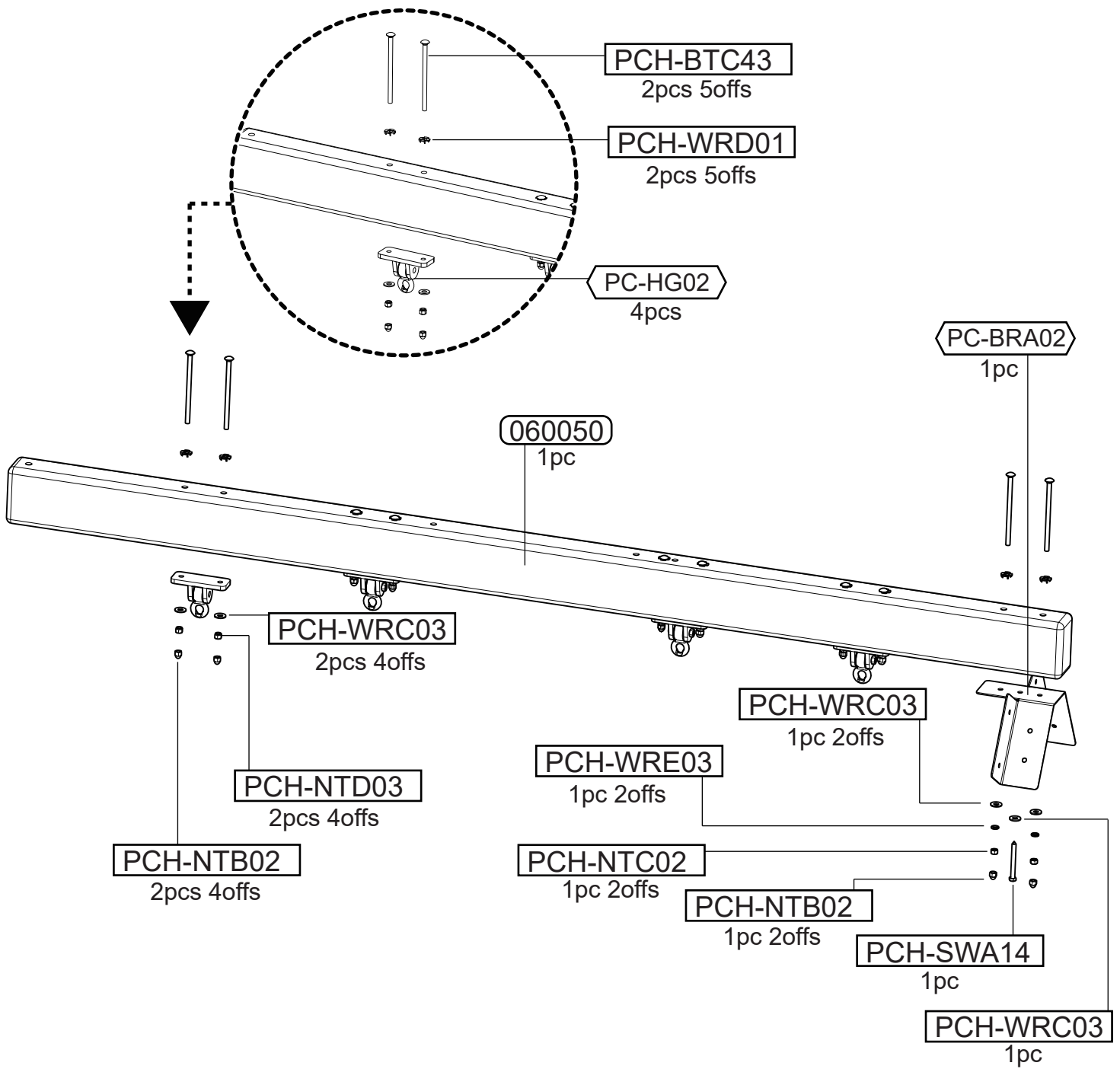
Assemble the Swing Beam and Hangers

Lumber List

060050 x1

Fastener & Accessories

- | | |
|---------------|-------------------|
| PCH-BTC43 x10 | PCH-WRE03 x2 |
| PCH-NTB02 x10 | PCH-SWA14 x1 |
| PCH-NTC02 x2 | PC-BRA02 x1
x4 |
| PCH-NTD03 x8 | |
| PCH-WRD01 x10 | |
| PCH-WRC03 x11 | |

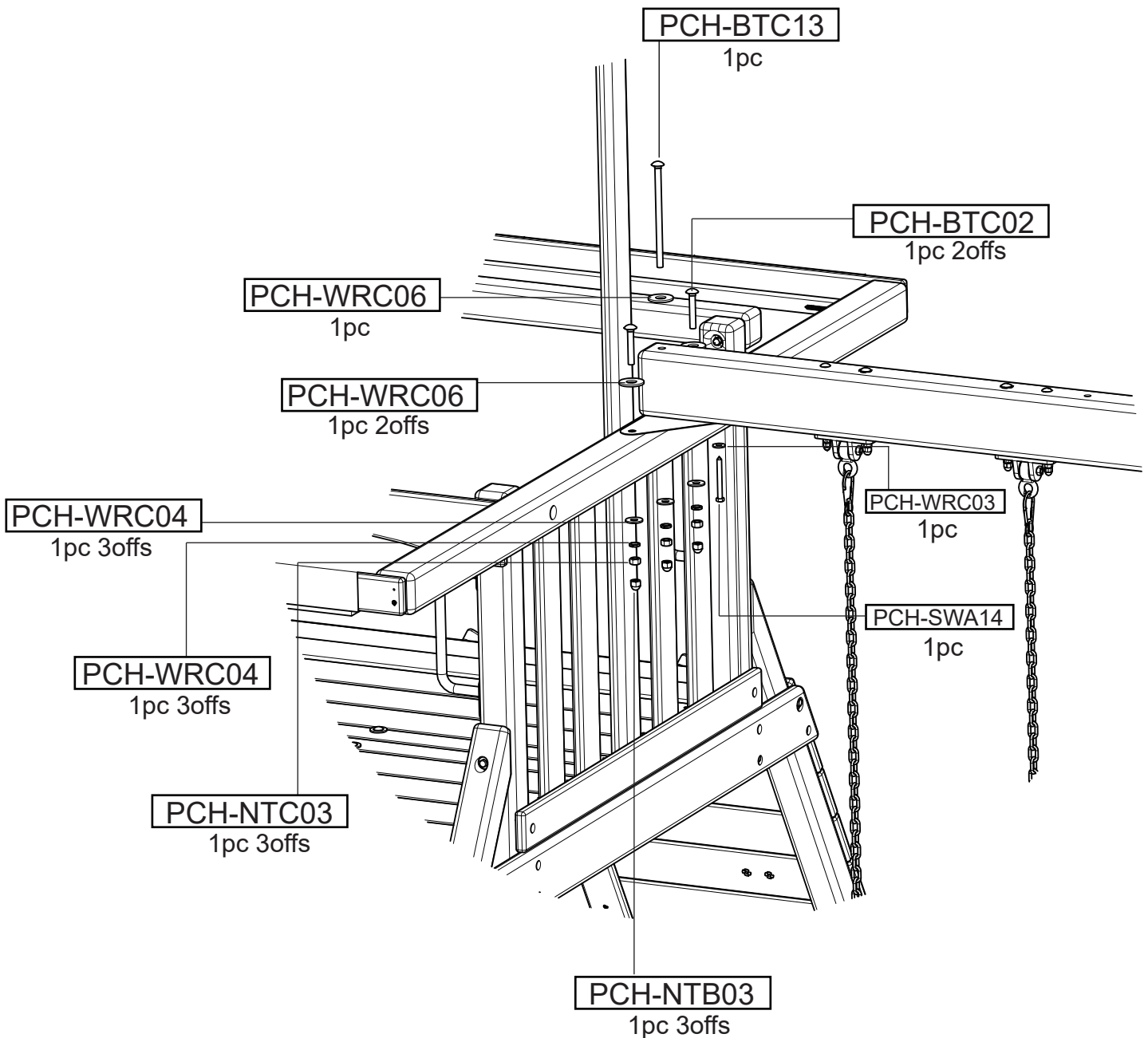


Assemble the Swing Beam

Lumber List

Fastener & Accessories

- | | | | |
|-----------|----|-----------|----|
| PCH-BTC13 | x1 | PCH-WRE04 | x3 |
| PCH-BTC02 | x2 | PCH-NTC03 | x3 |
| PCH-WRC06 | x3 | PCH-NTB03 | x3 |
| PCH-SWA14 | x1 | | |
| PCH-WRC03 | x1 | | |
| PCH-WRC04 | x3 | | |



Assemble the Swing Beam and Legs

Lumber List

060051 x2

060052 x1

Fastener & Accessories

PCH-SWA12 x6

PCH-SWA14 x2

PCH-WRC03 x12

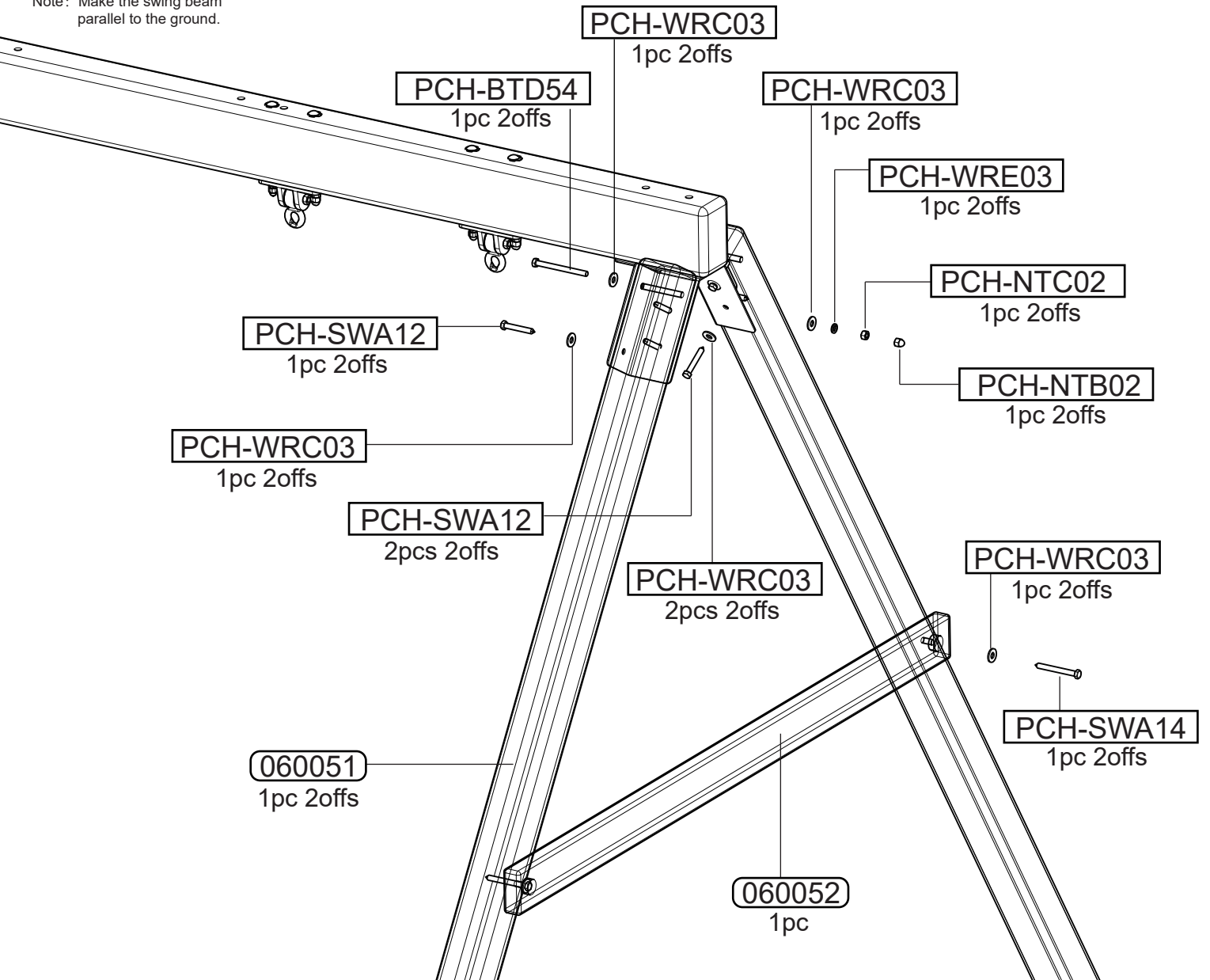
PCH-WRE03 x2

PCH-NTC02 x2

PCH-NTB02 x2

PCH-BTD54 x2

Note: Make the swing beam parallel to the ground.



Mount Telescope and Safety Handles

Lumber List

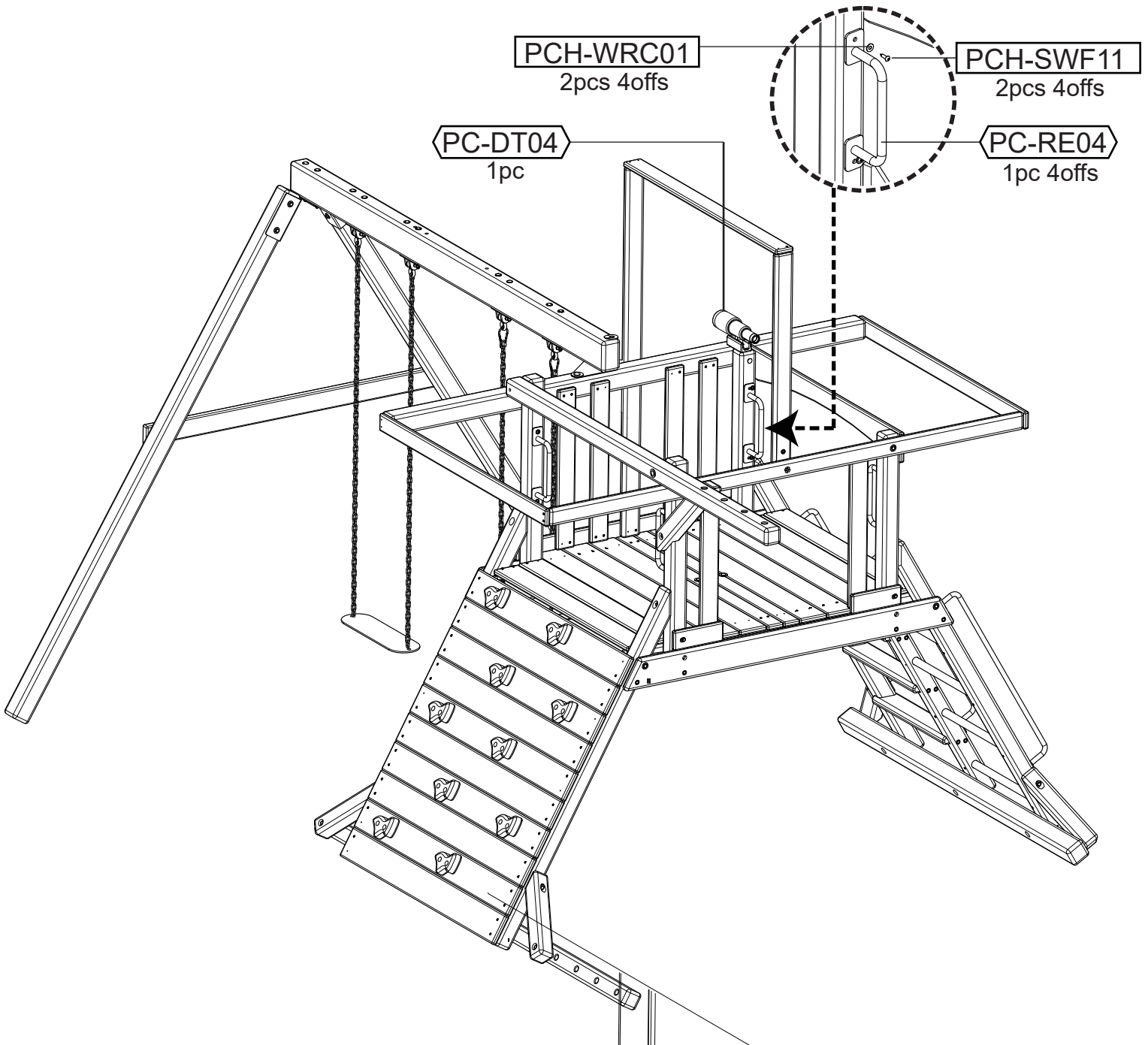
Fastener & Accessories

PCH-SWF11 x8

PCH-WRC01 x8

PC-RE04 x4

PC-DT04 x1



Lumber List

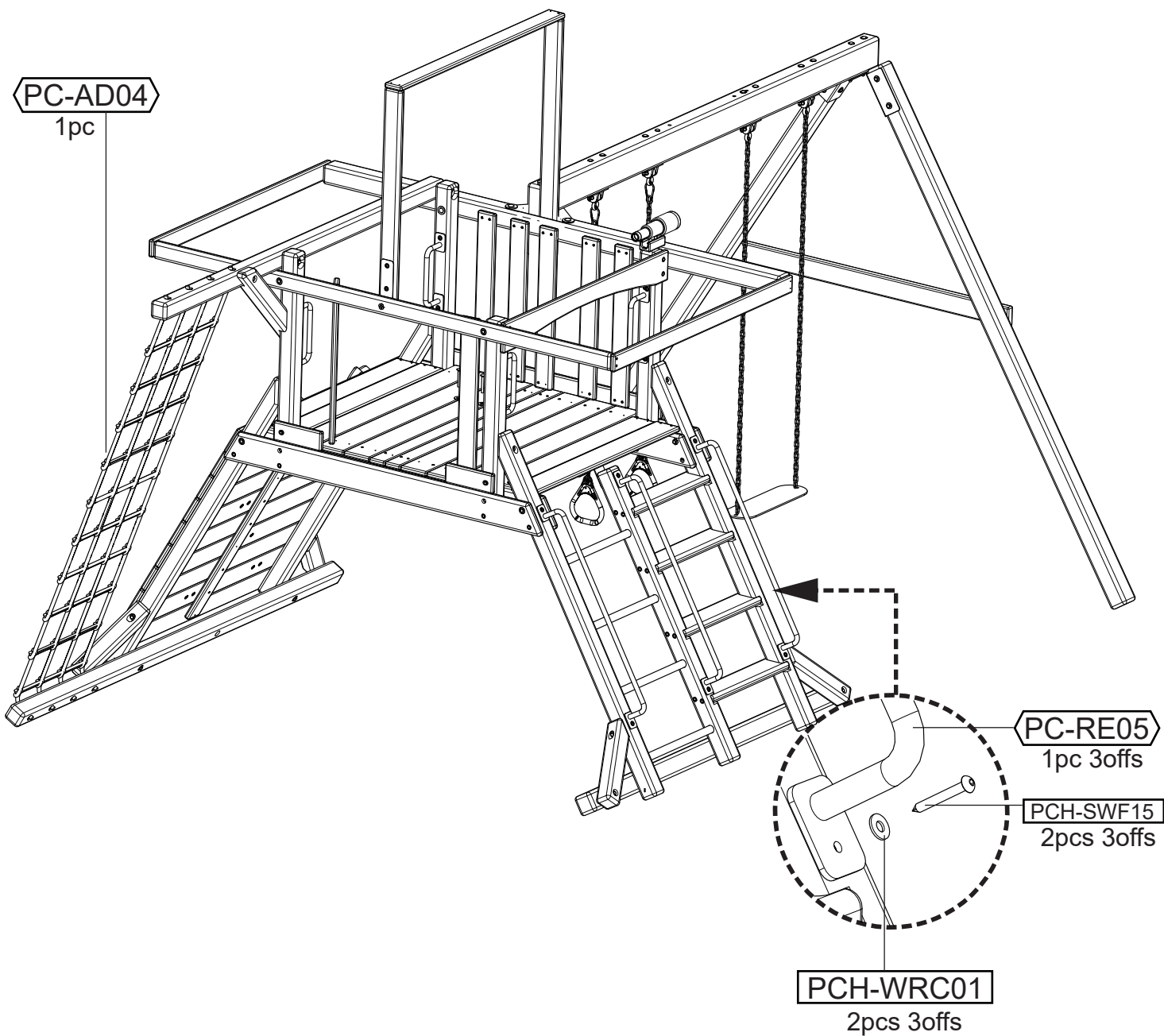
Fastener & Accessories

PCH-SWF15 x6

PCH-WRC01 x6

PC-AD04 x1

PC-RE05 x3



Attach Swing Seat, Trapeze & Mount Ground Anchors

Lumber List

Fastener & Accessories

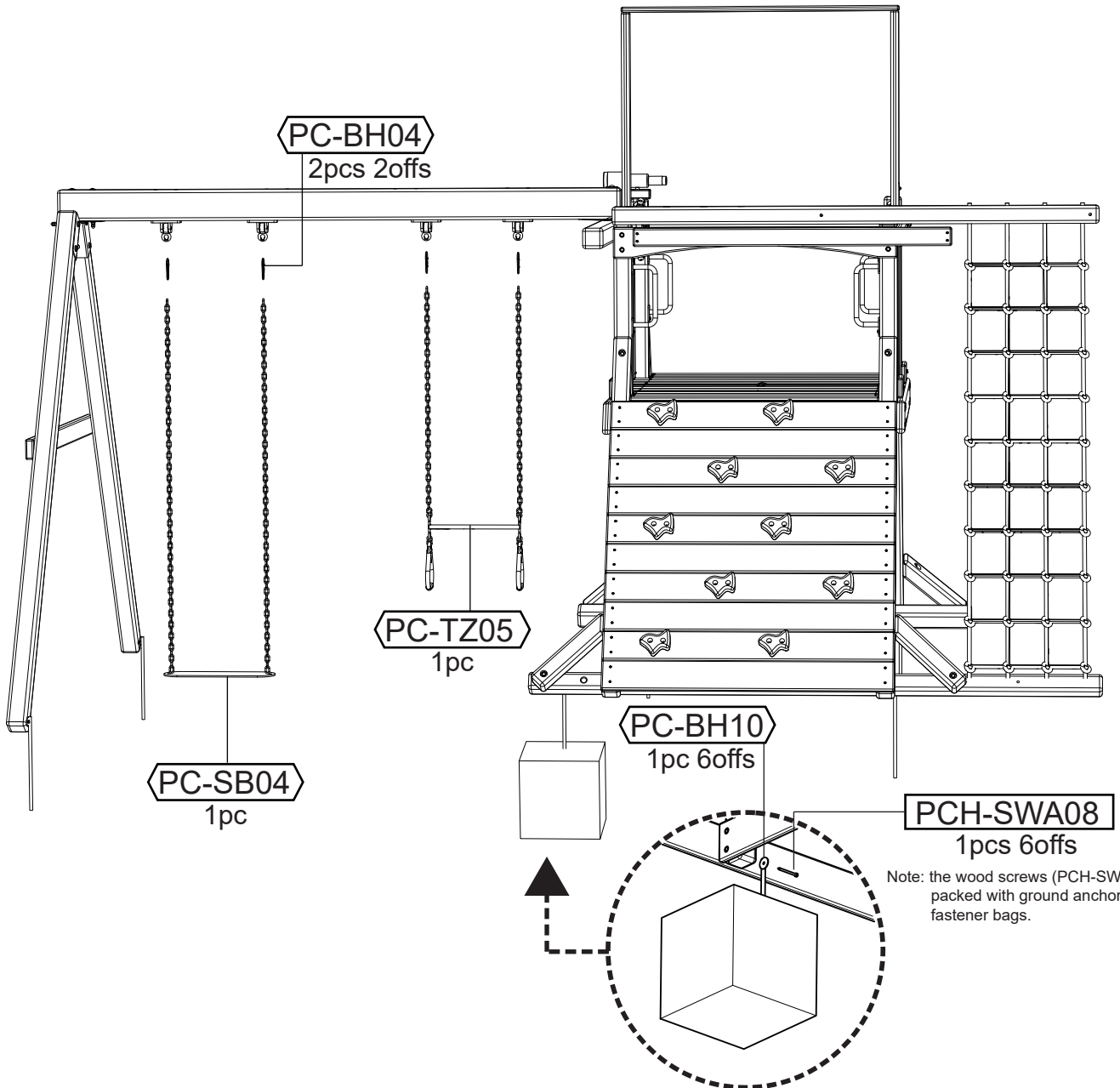
PCH-SWA08 x6

PC-BH04 x4

PC-BH10 x6

PC-SB04 x1

PC-TZ05 x1



Note: the wood screws (PCH-SWA08) are packed with ground anchors, not in fastener bags.

Note: it is suggested to secure the ground anchors with cement in dimensions around 350x350x350mm.

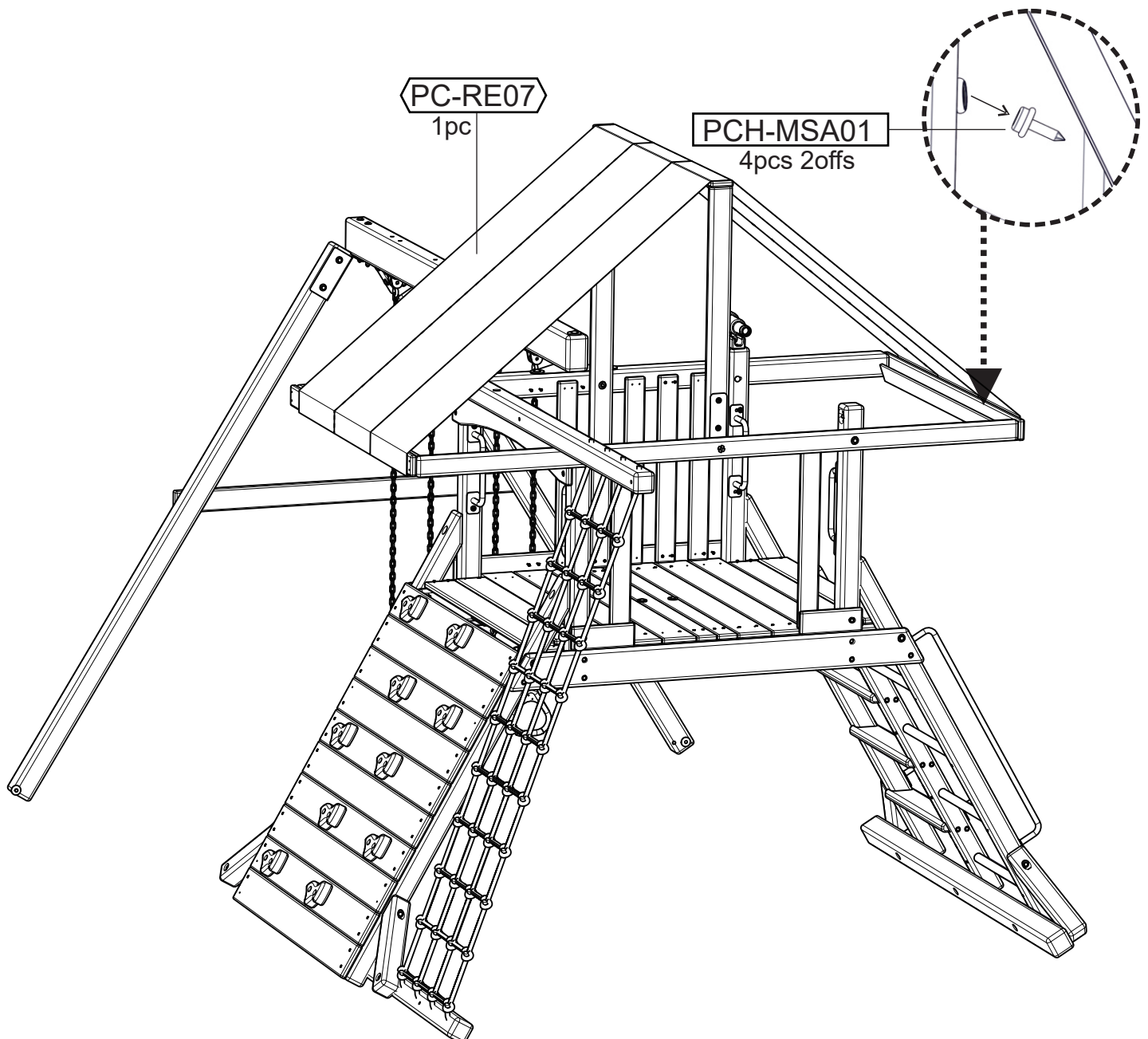
Assemble the Canopy

Lumber List

Fastener & Accessories

PCH-MSA01 x8

PC-RE07 x1

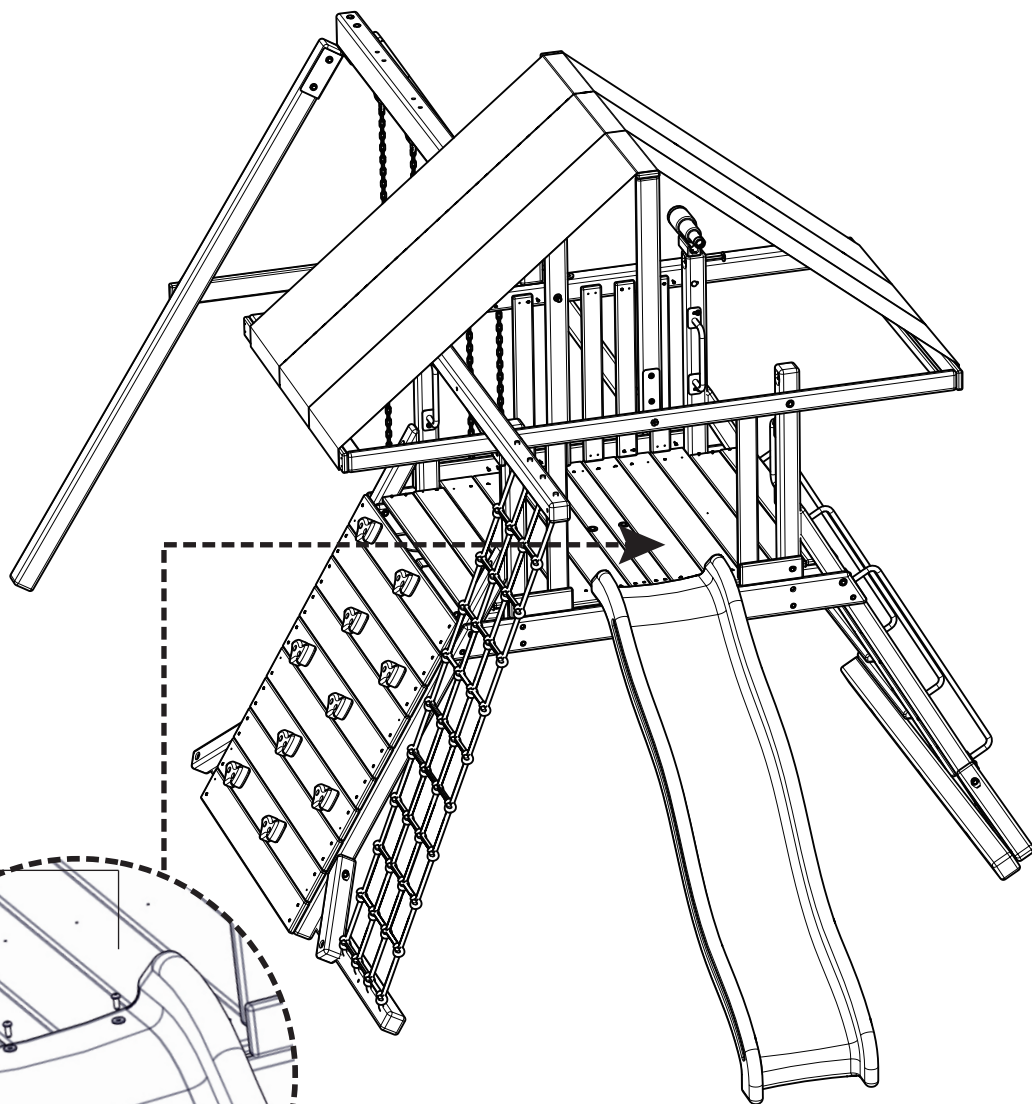


Regular 2.2m Slide Installation

Lumber List

Fastener & Accessories

- PCH-SWF11 x2
- PCH-WRC01 x2



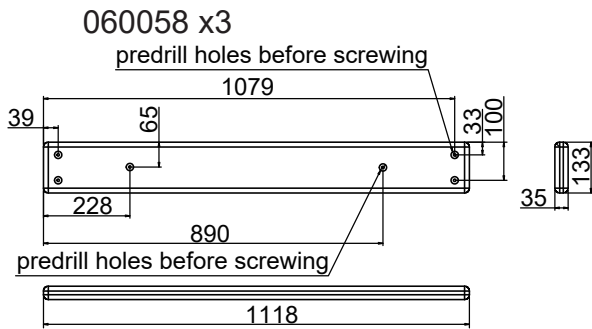
PCH-SWF11
2pcs

PCH-WRC01
2pcs

Close the slide opening if no slide is purchased

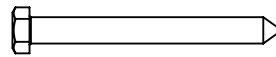
Note: the lumber pieces and fasteners to close the opening for slide is not included, you can refer to below list and buy from local store.

Lumber List



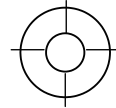
Accessories List

PCH-SWA08 X12

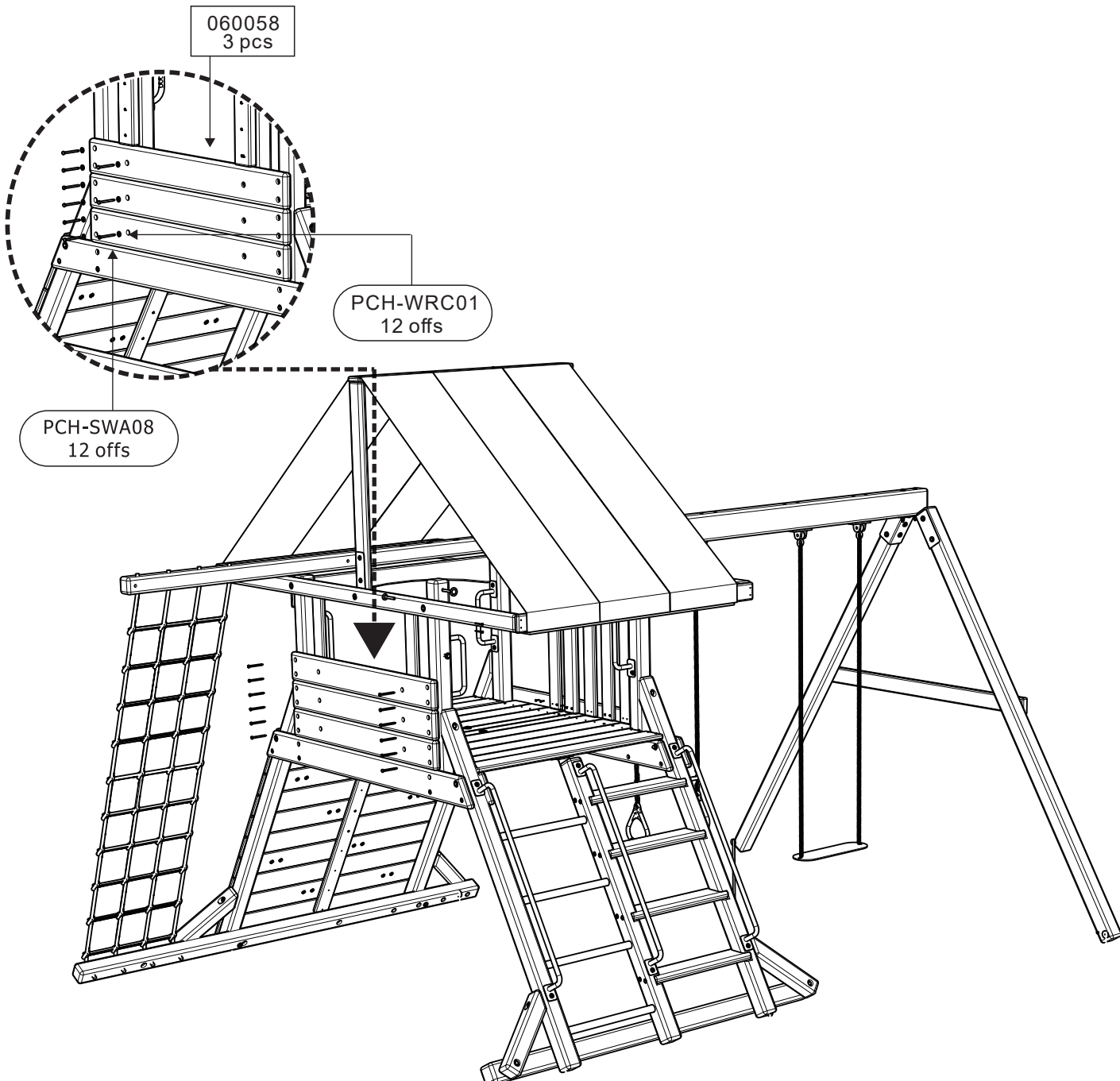


M6 x 76

PCH-WRC01 X12



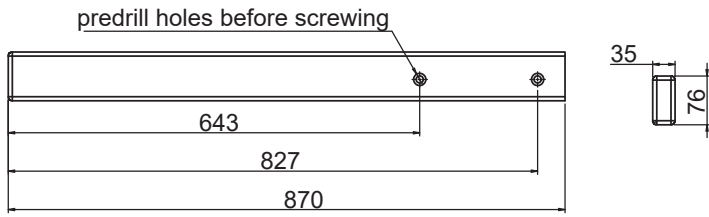
M6



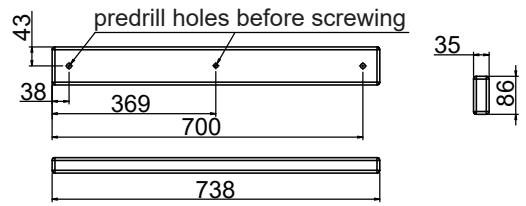
Lumber Cutting List for Spiral Slide

Note: the lumber pieces for assembling spiral slide are not included. Please refer to below lumber and fastener list to buy from local stores.

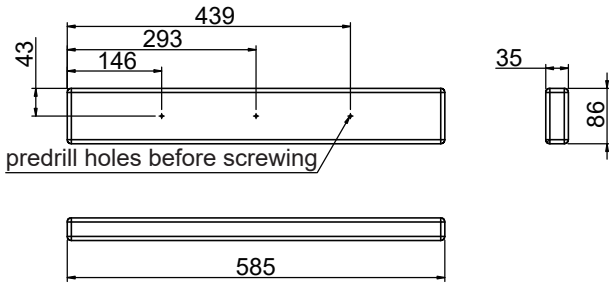
060041 x2



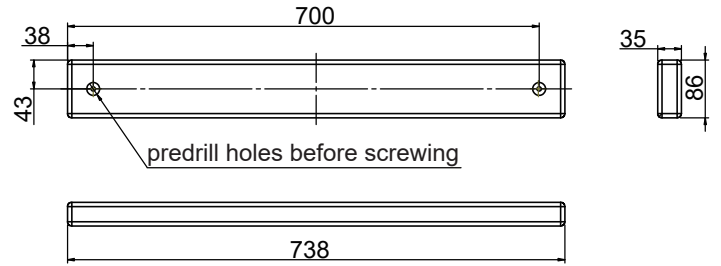
060054 x1



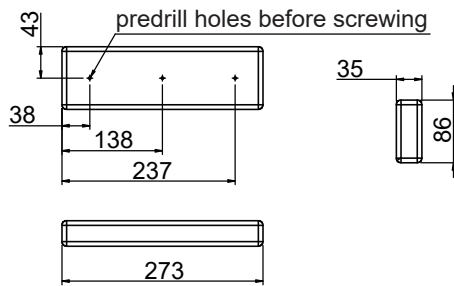
060055 x2



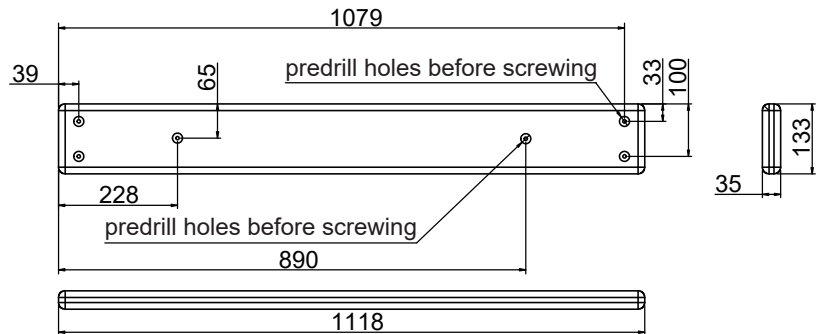
060056 x1



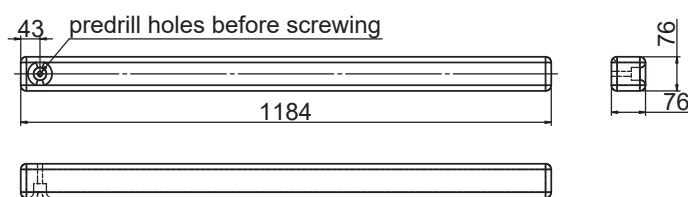
060057 x4



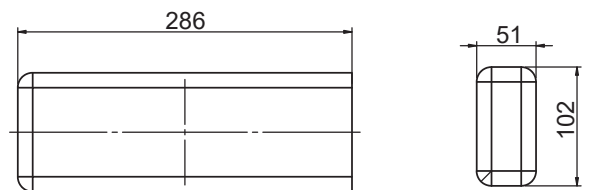
060058 x3



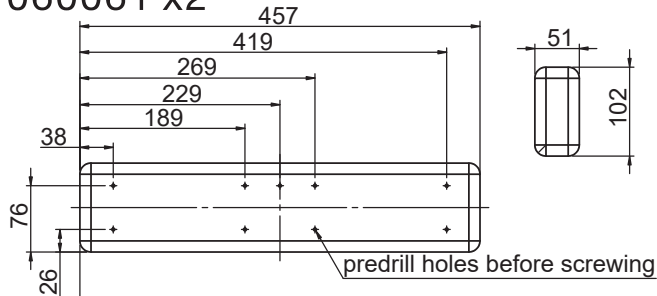
060059 x2



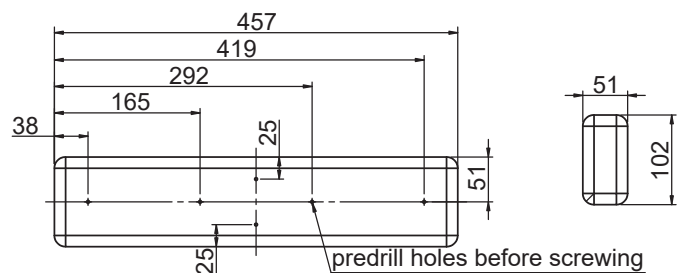
060060 x1



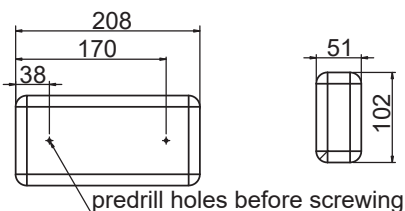
060061 x2



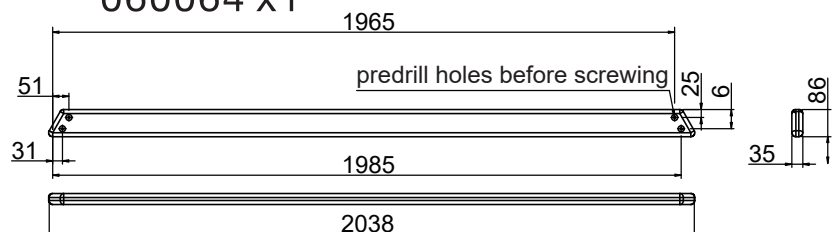
060062 x1



060063 x2



060064 x1



Fastener and Part List for Spiral Slide

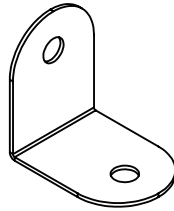
Note: the fastener and steel brackets for assembling spiral slide are not included. Please refer to below list to buy from local stores.

PC-BH10 X2



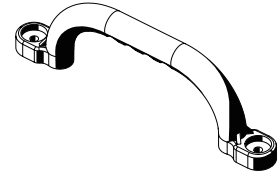
Ground Anchor w/ fastener to connect with playset

PC-BRC01 X2



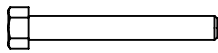
90° steel brackets

PC-RE03 X2



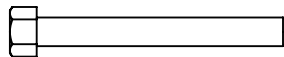
Safety handles x2 (optional for small kids, refer to step 5)

PCH-BTD48 X1



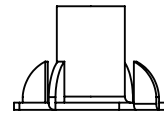
Hex Bolt M10 x 64

PCH-BTD53 X2



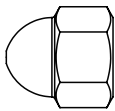
Hex Bolt M10 x 102

PCH-NTA03 X1



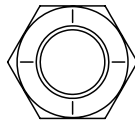
T-nuts M10

PCH-NTB02 X2



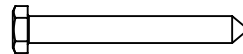
Bolt Cap M10

PCH-NTC02 X2



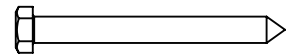
Hex Nut M10

PCH-SWA08 X4



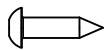
Lag Screw M6 x 51 (optional for small kids, refer to step 5)

PCH-SWA08 X28



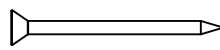
Lag Screw M6 x 76

PCH-SWF11 X10



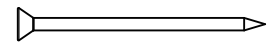
Machine Screw #14 x 25

PCH-SWG11 X17



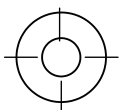
Countersunk Screw #8 x 51

PCH SWG12 X12



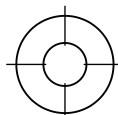
Phillips Wood Screw #8 x 64 (optional for small kids, refer to step 5)

PCH-WRC01 X38



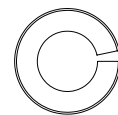
Washer M6

PCH-WRC03 X5



Washer M10

PCH-WRE03 X3



Lock Washer M10

Installation Of Tube Slide

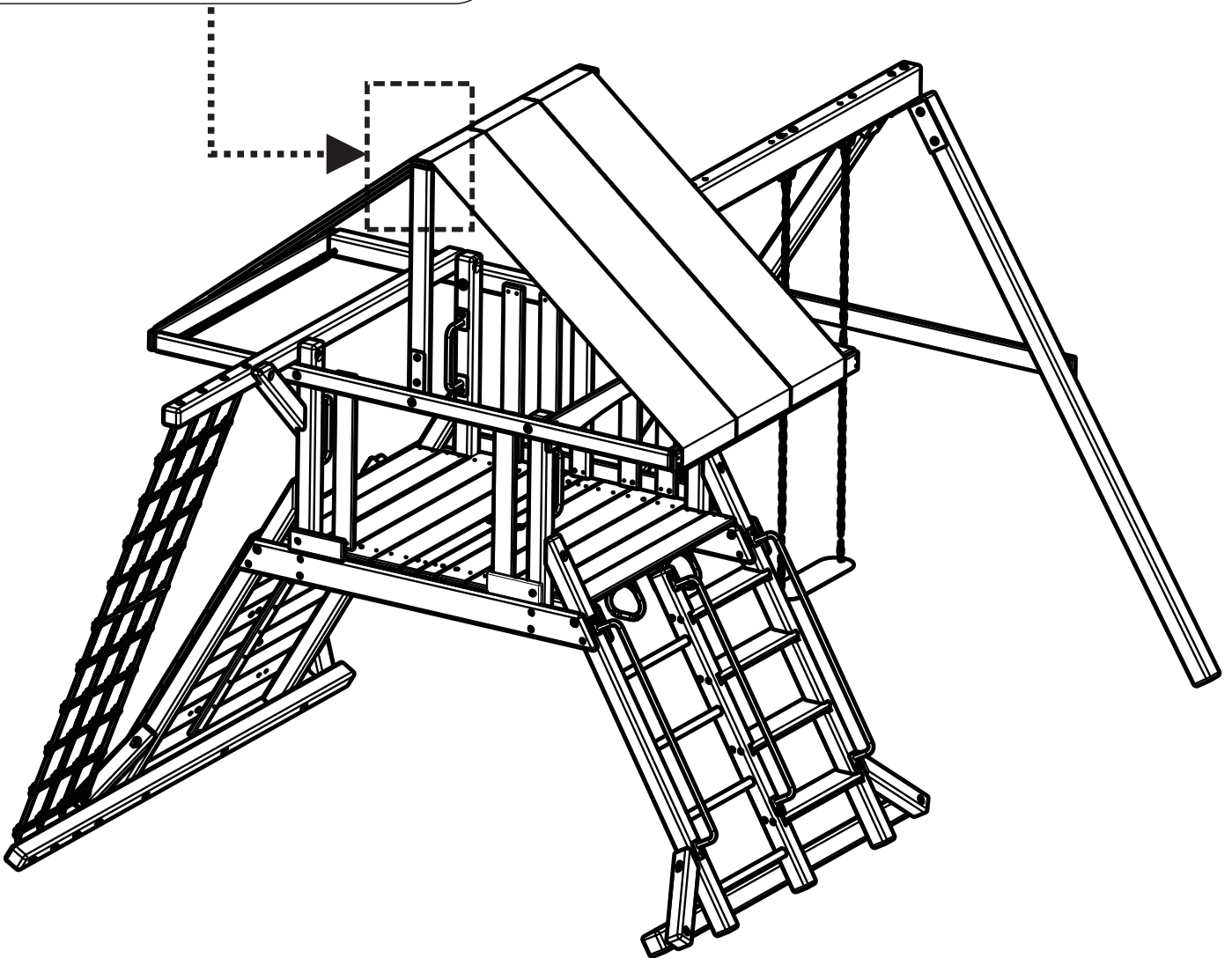
Remove canopy frame and cut vertical support

1

Lumber List

Fastener & Accessories

Cut off 441mm from top



2

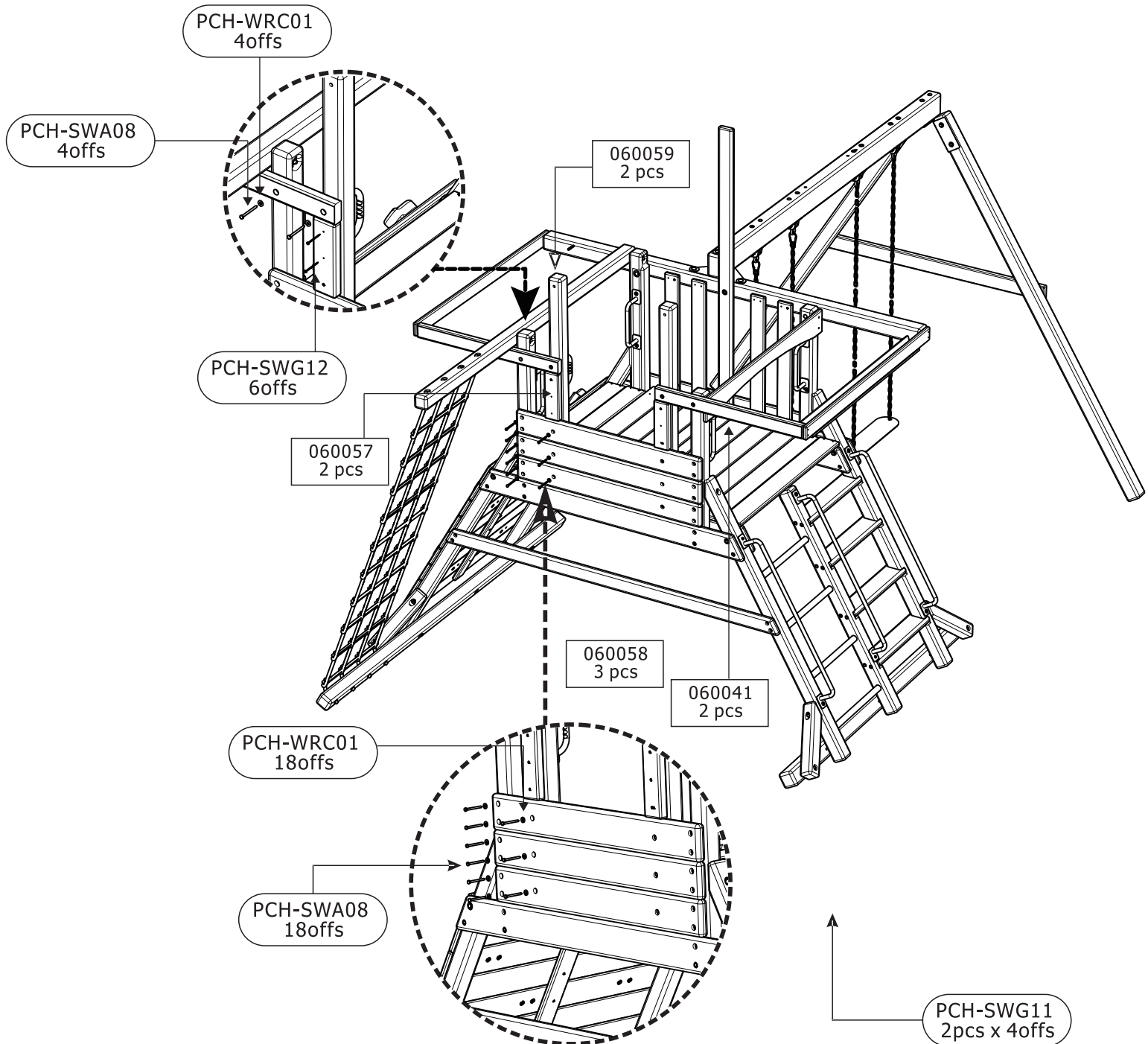
Add Frames and Entrance Riser for Tube Slide

Lumber List

060041(2)
060057(2)
060058(3)
060059(2)

Fastener & Accessories

PCH-SWA08 (4+18)
PCH-SWG11 (2x4)
PCH-SWG12 (6)
PCH-WRC01 (4+18)



3

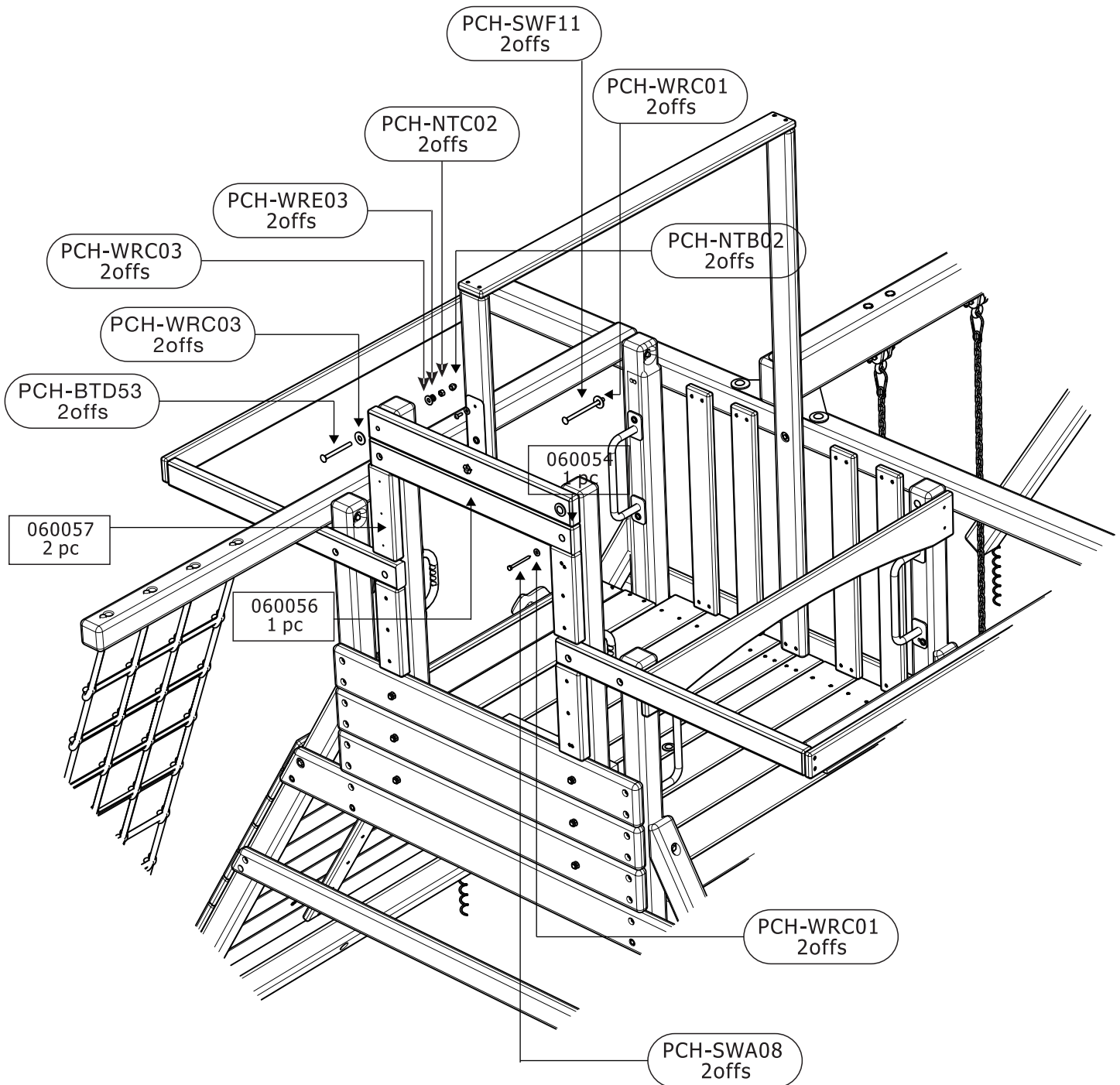
Add top front retainers for Tube slide entrance

Lumber List

060054(1)
060056(1)
060057(2)

Fastener & Accessories

PCH-NTB02 (2)
PCH-NTC02 (2)
PCH-WRE03 (2)
PCH-WRC01(2+2)
PCH-WRC03(2+2)
PCH-SWA08 (2)
PCH-BTD53 (2)
PCH-SWF11 (2)



4

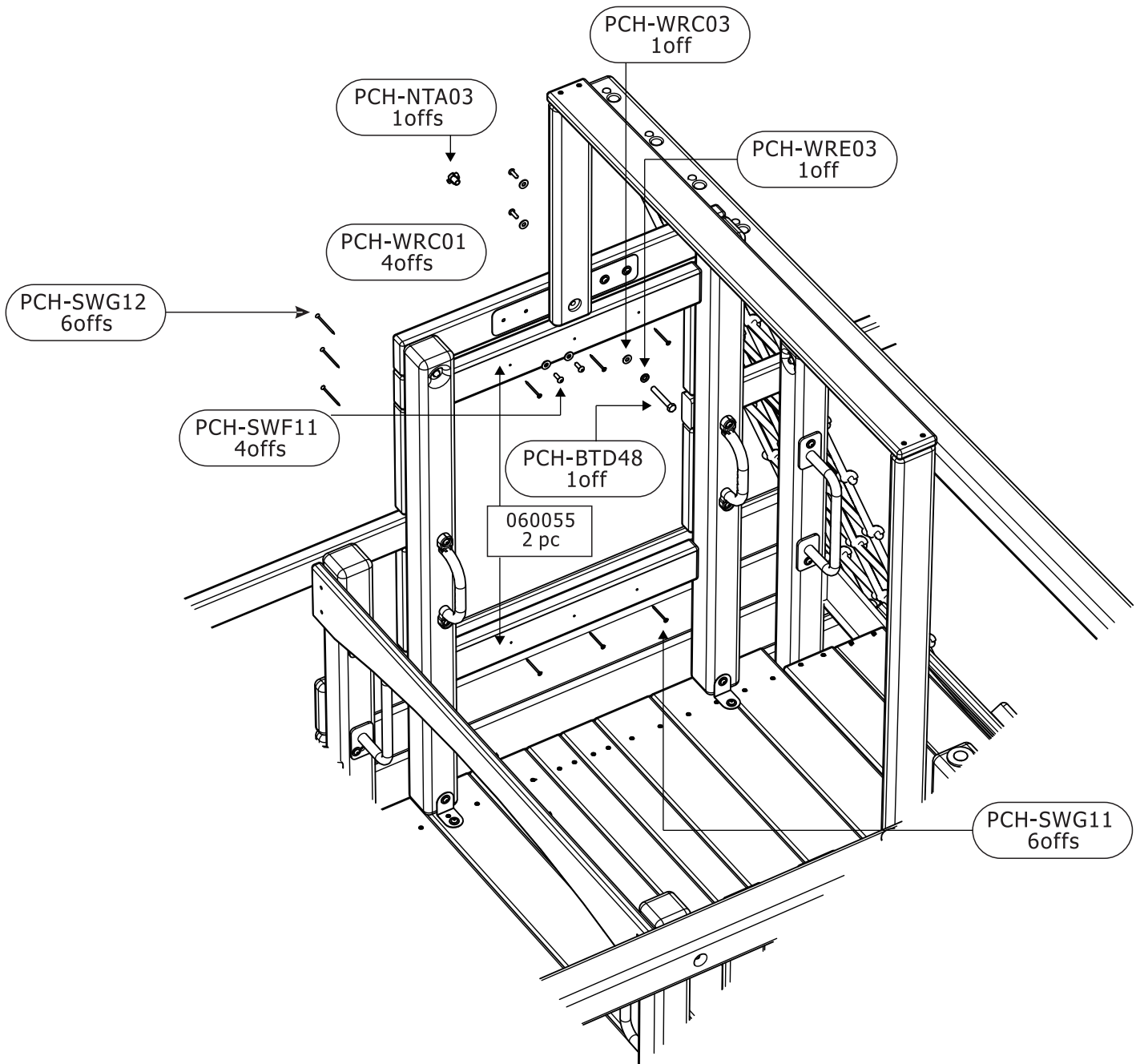
Add inside reinforce boards for Tube slide entrance

Lumber List

060055(2)

Fastener & Accessories

PC-BRC01(2) PCH-SWG11(6)
PCH-BTD48 (1)
PCH-SWG11 (3)
PCH-SWF11 (2 x 2+4)
PCH-WRC01 (2 x 2+4)
PCH-WRC03 (1)
PCH-WRE03 (1)
PCH-NTA03(1)
PCH-SWG12(6)

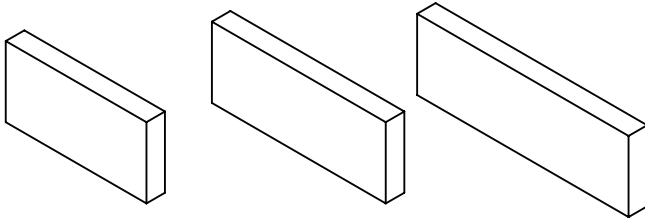


Instructions for construction of step

****OPTIONAL ONLY for use of smaller children*****

5

Lumber List

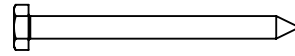


1
L240 mm
W120 mm
D35 mm
2 pcs

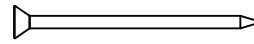
2
L540 mm
W120 mm
D35 mm
1 pcs

3
L610 mm
W120 mm
D35 mm
2 pcs

Fastener & Accessories



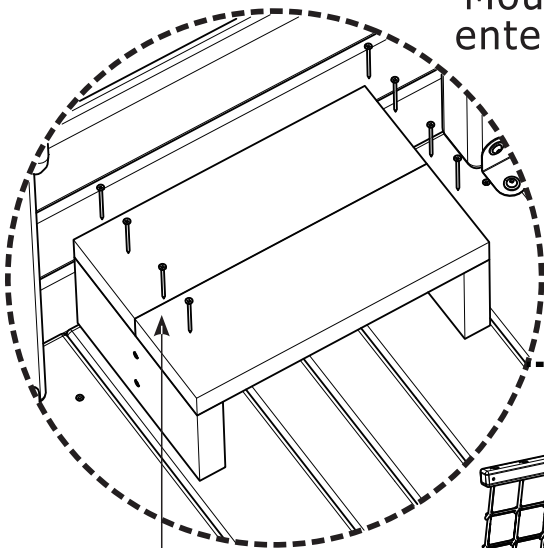
Lag Bolt: M6 x51 4offs



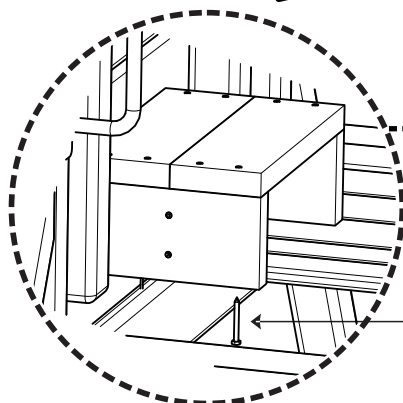
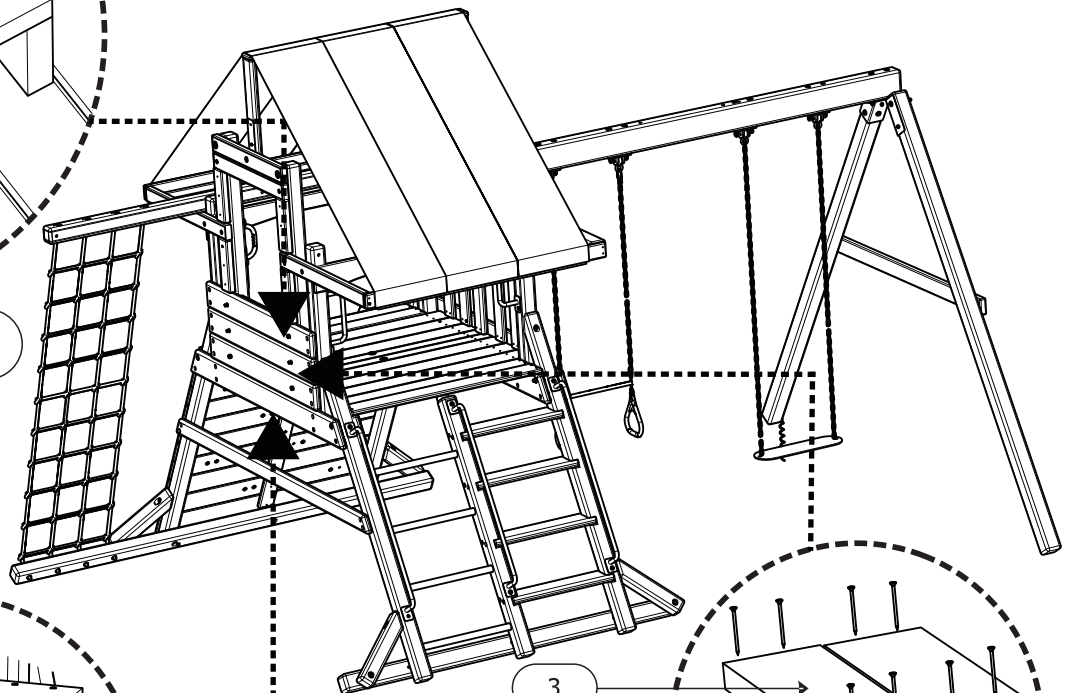
Philips Wood Screw: #8 x64 12offs

*Timber and screws not included, need to purchase separately.
Recommend Kiln Dried Hardwood or Pine

Mount optional step for entering spiral slide here



Philips Wood Screw: #8 x64
12offs



Lag Bolt: M6 x51
4offs

Use lag screws from underneath the deck to fix the step

6

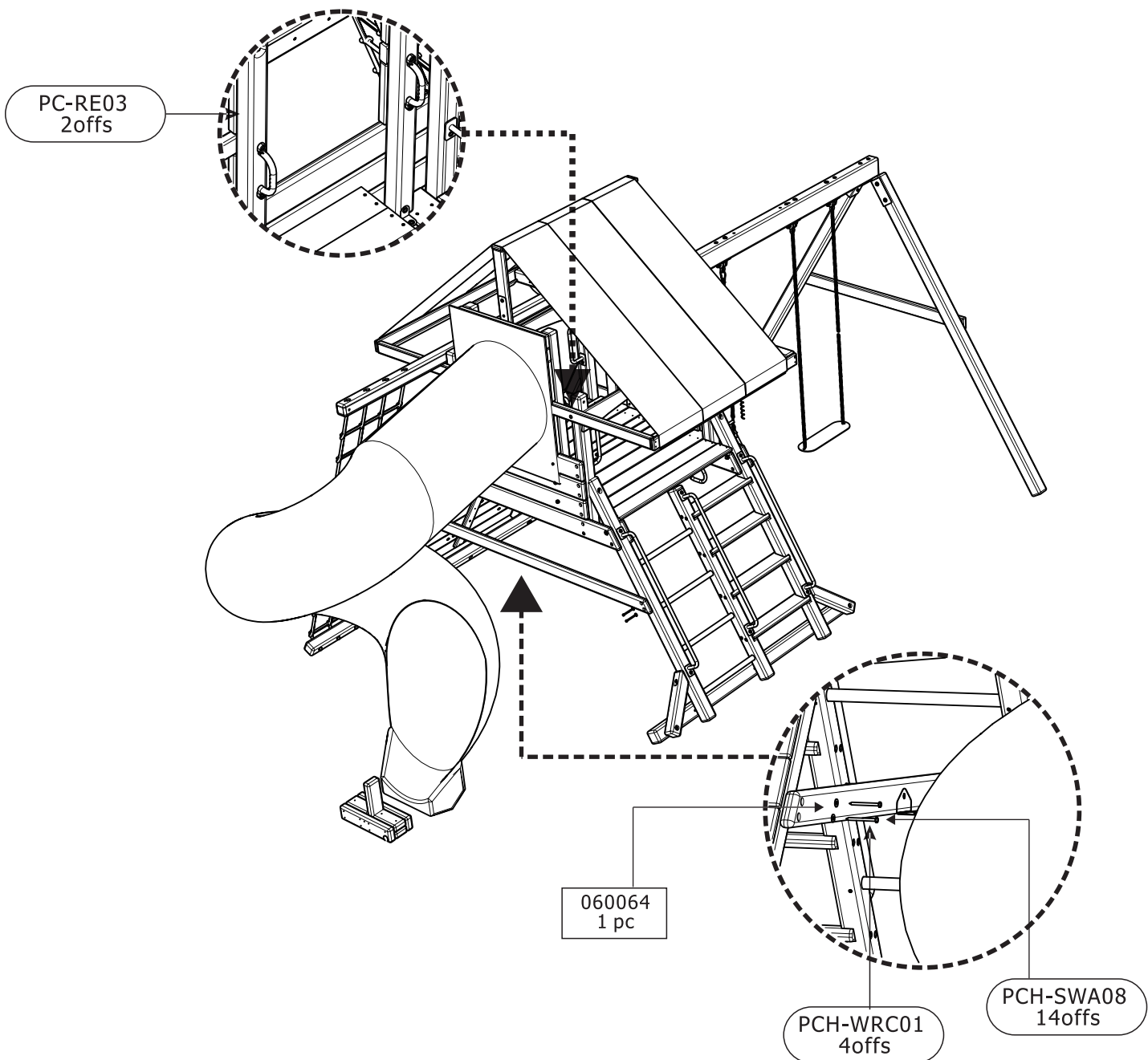
Add lower cross beam & foot brace to connect brackets to slide

Lumber List

060046(1)
060047(2)
060048(1)
060049(2)
060064(1)

Fastener & Accessories

PC-BH10(2)
PC-RE03(2)
PCH-SWA08 (4)
PCH-WRC01 (4)



Consumer information sheet for playground surfacing materials

The US Consumer Product Safety Commission (CPSC) estimates that about 100000 playground equipment-related injuries resulting from falls to the ground surface are treated annually in US hospital emergency rooms. Injuries involving this hazard pattern tend to be among the most serious of all playground injuries, and have the potential to be fatal, particularly when the injury is to the head. The surface under and around playground equipment can be a major factor in determining the injury-causing potential of a fall. It is self-evident that a fall on to a shock-absorbing surface is less likely to cause a serious injury than a fall onto a hard surface. Playground equipment should never be placed on hard surfaces, such as concrete or asphalt, and while grass may appear to be acceptable, it may quickly turn to hard-packed earth in areas of high traffic. Shredded bark mulch, wood chips, fine sand or fine gravel are considered to be acceptable shock absorbing surfaces when installed and maintained at a sufficient depth under and around playground equipment.

Table B.1 lists the maximum height from which a child would not be expected to sustain a life-threatening head injury in a fall on to four different loose-fill surfacing materials if they are installed and maintained at depths of 150 mm, 225 mm and 300 mm.

Table B.1 — Fall height in millimetres from which a life-threatening head injury would not be expected

Type of material	Depth of surfacing material		
	150 mm	225 mm	300 mm
Double shredded bark mulch	1800	3000	3300
Wood chips	1800	2100	3600
Fine sand	1500	1500	2700
Fine gravel	1800	2100	3000

However, it should be recognised that all injuries due to falls cannot be prevented, no matter what surfacing material is used.

It is recommended that a shock absorbing material extend a minimum of 1 800 mm in all directions from the perimeter of stationary equipment such as climbing frames and slides. However, because children may deliberately jump from a moving swing, the shock absorbing material should extend in the front and rear of a swing a minimum distance of twice the height of the pivot point measured from a point directly beneath the pivot on the supporting structure.

This information is intended to assist in comparing the relative shock-absorbing properties of various materials. No particular material is recommended over another. However, each material is only effective when properly maintained. Materials should be checked periodically and replenished to maintain correct depth as determined necessary for the equipment in question. The choice of a material depends on the type and height of the playground equipment, the availability of the material in a particular area, and its cost.

This information has been extracted from the CPSC publications "*Playground Surfacing — Technical Information Guide*" and "*Handbook for Public Playground Safety*".

The Kosciusko Play Set (MPS149)

Thank you for purchasing the Kosciusko Playset (MPS149).

Warning: Only for domestic outdoor use.

PLEASE READ THESE INSTRUCTIONS CAREFULLY.

This cubby satisfies all the requirements of the Australian Standard AS/NZ ISO 8127 and has been certified by an independent laboratory. To guarantee safety, please give special attention to the assembly, safety and care instructions detailed in this document.

- This product must be assembled by adults.
- Once assembly has been completed, keep the instructions in a safe place for future reference. This can be particularly handy for identification of parts if after sales service is required.

PRE ASSEMBLY :

- Before commencing assembly, use parts list as a checklist to ensure that none of the parts are missing. If you find that you are missing a part, please contact our after sales service department.
- Retain extra parts to use as spares in the future if necessary.
- **PRE-DRILL TIMBER** before fixing with screws to avoid cracks in the timber.

The dimensions given in the instructions are indicative only, they may vary according to the assembly method.

SAFETY ADVICE :

- Warning: This product is only to be used by children between the ages of 3 and 12.
- Warning: Choking hazard-small parts can be dangerous for children.
- Warning: This play set must be used under adult supervision.
- This product is for private use at home only. Under no circumstances is it to be used in parks, schools, camp sites, hotels, public leisure areas etc.
- The play set should be set up on a flat surface and 2 meters away from any structures or obstacles (walls, fences, trees, washing lines, cables etc.)
- The play set should be installed over impact absorbing surfaces such as sand, wood-bark chips, rubber and foam and must NOT be set up on a hard surface (concrete, tarmac, etc.) For detailed information about surfaces please refer to the attached consumer information sheet.
- Please note this is a natural product and as such should be checked for any rough surfaces before use, if required these should be lightly sanded in order to prevent injury.
- Dispose of packaging thoughtfully.
- Do not allow children to play with packaging.

CAUTION! This product includes timber and/or fabric . PLEASE KEEP AWAY FROM FIRE.

IMPORTANT! Wait until the concrete is set before using and check anchorages regularly.

MAINTENANCE :

- All parts should be checked at least once a month.
- Check all screws for tightness and tighten when required.
- The ground on which the play center is set up should be cleared regularly. All objects such as stones or anything else could cause injury in the case of fall should be removed.
- It is recommended that during the winter period when the equipment is not in use, all apparatus are removed to prevent deterioration due to bad weather.
- Modifications to the original activity toy should only be carried out under instructions from the manufacturer.
- Defective parts should only be replaced in accordance with the manufacturer's instruction.
- As timber is a natural product, it will deteriorate in the weather over time. For maximum longevity of your timber, it is highly recommended to apply an initial 3 coats of a timber protectant such as paint, lacquer or an exterior grade oil before first use of the play set.

FIXING INTO THE GROUND

IMPORTANT! For safety reasons, your playset must be embedded into the ground.

- Place your playset in the desired position and mark a square area 350mm x 350mm around each of the feet. Dig holes 350mm deep. (The feet must be in the center of the square)
- Fill the holes with concrete. Do not exceed the ground level. Fit the embedding piece into the center of the concrete so that fixtures for screwing the posts into place rise out of the concrete.
- When the concrete is dry, screw the posts to the embedding pieces.
- Anchors shall be placed level with or under ground in order to reduce tripping hazards.

IMPORTANT! Wait until the concrete is set before using and check anchorages regularly.

TIMBER CARE :

As timber is a natural product, it will deteriorate in the weather over time. For maximum longevity of your timber, it is highly recommended to apply an initial 3 coats of a timber protectant such as paint, lacquer or an exterior grade oil before first use of the play set.

Minor twisting, warping, cracking and any other natural occurring property of wood will occur. PLEASE NOTE: These occurrences are cosmetic and will not affect the strength or integrity of the product, if you have any concerns or queries please contact the after sales service for further assistance.

At regular intervals, the application of a penetrating oil based sealer stain to all wooden components is essential. Please consult your local hardware or home improvement store for recommendation of an appropriate product.

All outdoor wooden products require routine inspection and regular maintenance. After installation, a follow-up inspection should take place after one week and twice a month thereafter for the remaining life of your play products.

Maintenance should be performed at any time it is deemed necessary. As a general rule, major maintenance (wood refinishing) should be performed at six month intervals from the date of installation. Inspect and performance based on the following checklist.

Major wooden parts: Inspect for splintering and structure defects at regular intervals. For very minor splinters or chipping, lightly sanding and refinish with an exterior water repellent stain can assist. If timber has cracked or split significantly, replacement parts may be required, please contact national customer service center for any replacement requirements.

IMPORTANT: If living in an area prone to termites, please ensure any timber is treated with termite protection. Please keep receipts as proof of purchase of the termite protection product used on this set.

