

BOSE652X

60cm, 5 function, Built In Electric Oven

BLANCO



Model Code
BOSE652X

Description
60cm, 5 Function, Electric Oven

Included Accessories

- 1 x telescopic runner
- 2 x safety anti-tip shelves
- 1 x baking dish
- 1 x grill insert

Made In Italy
Designed and Manufactured in Italy

Warranty
4 year warranty

Features

Benefits

Large oven capacity

At 72 litres, this larger capacity oven will accommodate even the biggest meals.

Triple Glazed Thermo-reflective Door

The triple layered door with thermo-reflective glass offers not only a cooler to touch surface but also increases the energy efficiency as the heat is retained within the oven.

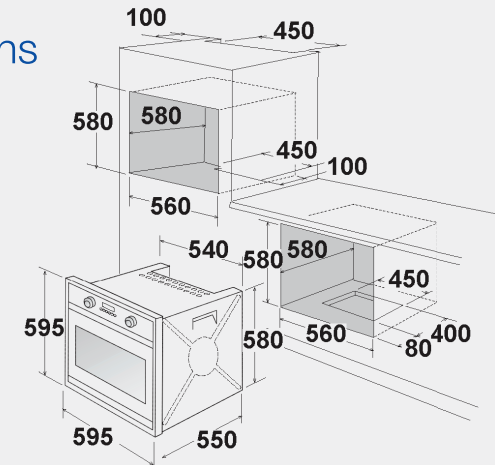
Fully Programmable Timer

The fully programmable touch control operation enables you to set the start and finish time of your cooking where the oven will automatically switch off when finished.

Black Enamelled Interior

Hard wearing enamel cavity that is easy to clean.

Specifications



Product Dimensions:	H595 x W595 x D550mm
Cut-out size (proudmount):	H580 x W560 x D580mm
Cut-out size (flushmount):	H598 x W598 x D580mm
Power Requirement:	220-240V – 50Hz
Electrical connection:	10 amp- 3 pin plug supplied
Oven volume:	72 litre capacity
Oven Functions:	Fan Forced, Full Grill, Fan Grill, Defrost, Light
Lighting:	25 W

Oven Elements:

Fan forced element:	2300 W
Hot air fan motor:	20-25 W
Cooling fan motor:	25 W

NOTE: It is advisable to check dimensions of physical product when measuring for installation and before doing any cut outs.

*Due to continual product development the information provided is not final and may be subject to change.