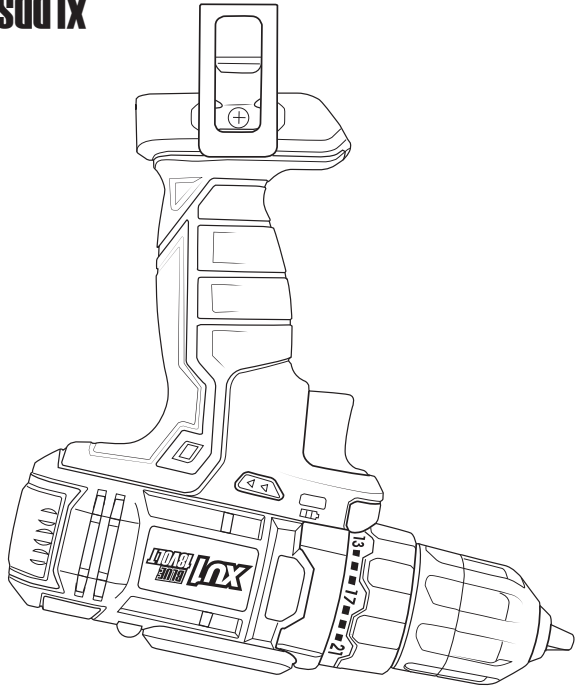


REPLACEMENT WARRANTY
12 MONTHS HOME USE

Operating Instructions

XLDDS-018



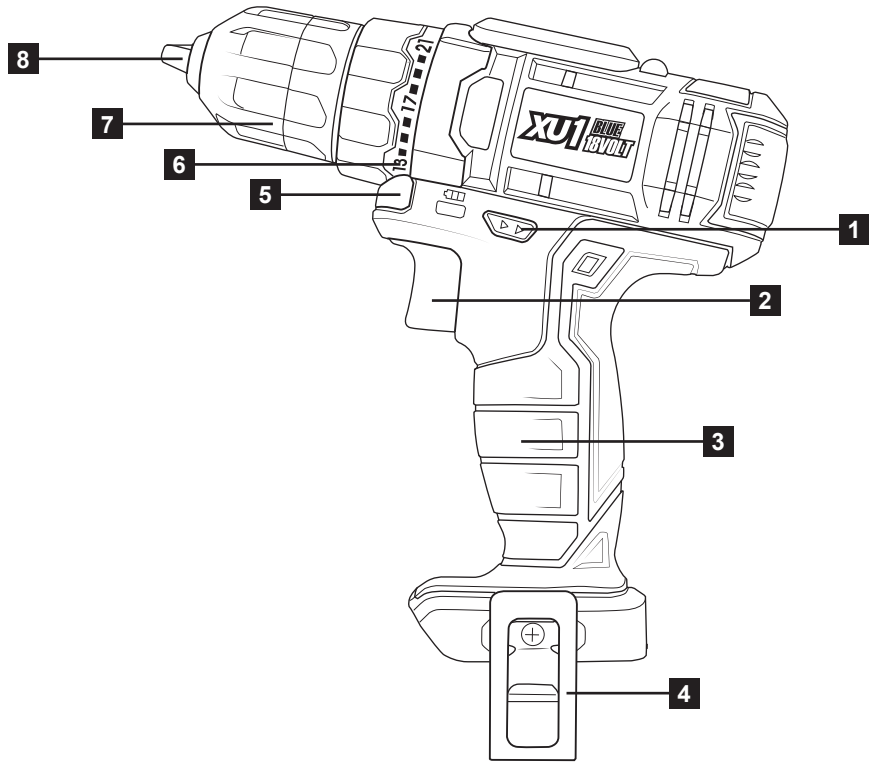
18V
Cordless
Drill Driver

BLUE
XU1
18VOLT

XU1 Power tools

1-23 Letcon Drive, Bangholme, Victoria, Australia 3175

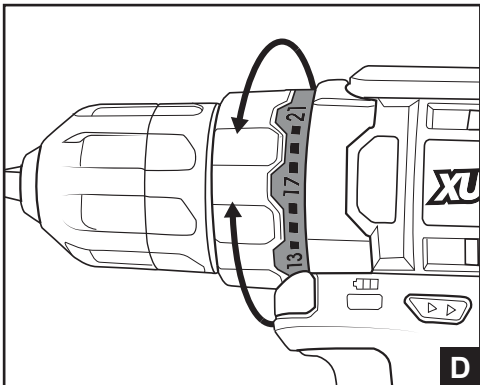
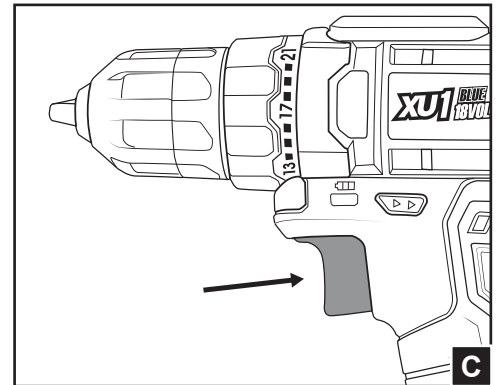
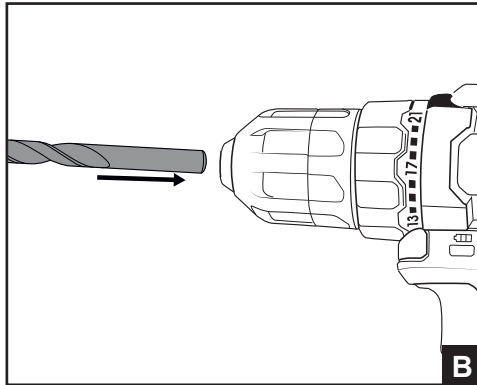
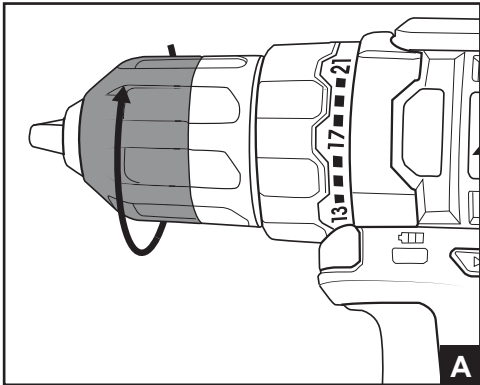
Telephone: 1800 069 486



1 Forward/Reverse Selector
 2 Variable Speed Trigger
 3 Soft Grip Handle

4 Belt Clip
 5 LED Worklight
 6 Torque Adjustment Collar

7 Chuck Collar
 8 10mm Keyless Chuck



SPECIFICATIONS

Voltage:	18V
No Load Speed:	0-700/min
Chuck Size:	10mm
Torque Settings:	21
Max. Torque:	16Nm
Tool Weight:	1.1kg

PROPER USE

This tool is intended for use in a DIY (Do It Yourself) context or for hobbyist purposes. It is not built for continuous daily use in a trade or professional capacity.

Before using the machine, carefully read these instructions, especially the safety rules to help ensure that your machine always operates properly.

Before attempting to operate the machine, familiarise yourself with the controls and make sure you know how to stop the machine quickly in an emergency.

Save these instructions and the other documents supplied with this machine for future reference.

SETUP



WARNING! Ensure the tool is turned off and disconnected from the power supply before performing any of the following operations.

Installing a Bit Into Your Drill

1. Rotate the Chuck Collar anti-clockwise to open the Chuck. **Fig. A**
2. Insert the drill bit, making sure it is centred in the Chuck. **Fig. B**
3. Tighten the Chuck by turning the Collar clockwise.
4. Pull on the bit to ensure it is firmly secured.

Removing a Drill Bit

1. Rotate the Chuck Collar anti-clockwise to open the Chuck
2. Remove the bit from the drill Chuck.



WARNING! Do not handle drill bits or other accessories without gloves as they are sharp and can become hot after use.

CONTROLS

Forward/Reverse Selector

1. For forward rotation, push the Forward/Reverse Selector towards the left side of the tool.
2. For reverse rotation, push the Forward/Reverse Selector towards the right side of the tool.

Variable Speed Trigger

1. To start drilling, squeeze the Variable Speed Trigger. **Fig C**

2. To stop drilling, release the Trigger.

NOTE: The more the Variable Speed Trigger is depressed, the faster the driver will rotate.

Drill Driver Torque Settings

1. Rotate the Torque Adjustment Collar on your drill driver to select the desired setting. **Fig. D**

NOTE: Selecting a higher torque setting will allow the drill to use more torque to drive the screw in or out. To prevent damaging the screw head, it is recommended to start at a low torque setting and increase when necessary.

OPERATION

Usage Tips

1. Depress and release the Variable Speed Trigger to ensure it is not locked.
2. Check the Forward/Reverse Selector is in the desired setting.
3. Ensure the workpiece is secured to stop it turning whilst fastening.
4. Hold the tool firmly and then press the Variable Speed Trigger.
5. Once complete, release the Variable Speed Trigger.

NOTE: Do not force the tool or apply side pressure to elongate the hole. Let the tool do all the work.

MAINTENANCE



WARNING! Ensure the tool is turned off and disconnected from the power supply before performing any of the following operations.

Cleaning

Your tool has been designed to operate over a long period of time with a minimum of maintenance. That said, continuous satisfactory operation depends upon proper tool care and regular cleaning.

1. Regularly clean the ventilation channels in the tool using a soft brush or cloth.
2. Keep ventilation slots of the tool clean at all times. If possible prevent foreign matter from entering the vents. After each use, blow air through the tool housing to ensure it is free from all dust particles that may build up.



WARNING! Excessive build up of dust particles may cause the tool to overheat and fail.

3. If the enclosure of the tool requires cleaning, use a soft, damp cloth only. Do not use solvents or abrasive cleaners..



WARNING! Never immerse any part of the tool in liquid.

Carbon Brushes

Carbon brushes will wear out after many uses. When the carbon brushes wear out the tool will spark and/or stop. Discontinue use as soon as this happens. They should be replaced prior to recommencing use of the tool.

Carbon brushes are a wearing component of the tool and are therefore not covered under warranty. Continuing to use the tool when carbon brushes need to be replaced may cause permanent damage to the tool. When the carbon brushes need to be replaced, take the tool to an electrician or a power tool repairer for a replacement. Always replace both carbon brushes at the same time.

Note: XU1 will not be responsible for any damage or injuries caused by the repair of a tool by an unauthorised person or by mishandling of the tool.

WARRANTY

YOUR WARRANTY FORM SHOULD BE RETAINED BY YOU AT ALL TIMES. IN ORDER TO MAKE A CLAIM UNDER THIS WARRANTY YOU MUST RETURN THE PRODUCT TO YOUR NEAREST BUNNINGS WAREHOUSE WITH YOUR BUNNINGS REGISTER RECEIPT. PRIOR TO RETURNING YOUR PRODUCT FOR WARRANTY. PLEASE TELEPHONE OUR CUSTOMER SERVICE HELPLINE:

Australia 1800 069 486

New Zealand 0508 069 486

TO ENSURE A SPEEDY RESPONSE PLEASE HAVE THE MODEL NUMBER AND DATE OF PURCHASE AVAILABLE. A CUSTOMER SERVICE REPRESENTATIVE WILL TAKE YOUR CALL AND ANSWER ANY QUESTIONS YOU MAY HAVE RELATING TO THE WARRANTY POLICY OR PROCEDURE.

The benefits provided under this warranty are in addition to other rights and remedies which are available to you at law.

Our goods come with guarantees that cannot be excluded at law. You are entitled to a replacement or refund for a major failure and for compensation for any other reasonably foreseeable loss or damage. You are also entitled to have the goods repaired or replaced if the goods fail to be of acceptable quality and the failure does not amount to a major failure.

Generally you will be responsible for all costs associated with a claim under this warranty, however, where you have suffered any additional direct loss as a result of a defective product you may be able to claim such expenses by contacting our customer service helpline above.

1 YEAR REPLACEMENT WARRANTY

Your product is guaranteed for a period of 12 months from the original date of purchase and is intended for DIY (Do It Yourself) use only. If a product is defective it will be replaced in accordance with the terms of this warranty. Warranty excludes consumable parts, for example: driver bits.

WARNING

The following actions will result in the warranty being void.

- Professional, Industrial or high frequency use.
- If the tool has been operated on a supply voltage other than that specified on the tool.
- If the tool shows signs of damage or defects caused by or resulting from abuse, accidents or alterations.
- Failure to perform maintenance as set out within the instruction manual.
- If the tool is disassembled or tampered with in any way.

XU1

Australia/New Zealand (Head Office)

1-23 Letcon Drive, Bangholme, Victoria, Australia 3175

SAFETY INSTRUCTIONS

DESCRIPTION OF SYMBOLS



Read instruction manual



Wear eye, breathing and hearing protection



Warning



Regulatory Compliance Mark (RCM)

CARING FOR THE ENVIRONMENT



Power tools that are no longer usable should not be disposed of with household waste but in an environmentally friendly way. Please recycle where facilities exist. Check with your local council authority for recycling advice.



Recycling packaging reduces the need for landfill and raw materials. Reuse of recycled material decreases pollution in the environment. Please recycle packaging where facilities exist.

Check with your local council authority for recycling advice.

GENERAL POWER TOOL SAFETY WARNINGS



WARNING! Read all safety warnings and all instructions. Failure to follow the warnings and instructions may result in electric shock, fire and/or serious injury.

Save all warnings and instructions for future reference. The term "power tool" in all of the warnings refers to your mains-operated (corded) power tool or battery-operated (cordless) power tool.

1) Work area safety

- a) **Keep work area clean and well lit.** Cluttered and dark areas invite accidents.
- b) **Do not operate power tools in explosive atmospheres, such as in the presence of flammable liquids, gases or dust.** Power tools create sparks which may ignite the dust or fumes.
- c) **Keep children and bystanders away while operating a power tool.** Distractions can cause you to lose control.

2) Electrical safety

- a) **Power tool plugs must match the outlet. Never modify the plug in any way. Do not use any adapter plugs with earthed (grounded) power tools.** Unmodified plugs and matching outlets will reduce risk of electric shock.
- b) **Avoid body contact with earthed or grounded surfaces such as pipes, radiators, ranges and refrigerators.** There is an increased risk of electric shock if your body is earthed or grounded.
- c) **Do not expose power tools to rain or wet conditions.** Water entering a power tool will increase the risk of electric shock.
- d) **Do not abuse the cord. Never use the cord for carrying, pulling or unplugging the power tool. Keep cord away from heat, oil, sharp edges or moving parts.** Damaged or entangled cords increase the risk of electric shock.
- e) **When operating a power tool outdoors, use an extension cord suitable for outdoor use.** Use of a cord suitable for outdoor use reduces the risk of electric shock.

3) Personal safety

- a) **Stay alert, watch what you are doing and use common sense when operating a power tool. Do not use a power tool while drugs, alcohol or medication.** A moment of inattention while operating power tools may result in serious personal injury.
- b) **Use personal protective equipment. Always wear eye protection.** Personal protective equipment such as dust mask, non-skid safety shoes, hard hat, or hearing protection used for appropriate conditions will reduce personal injuries.
- c) **Prevent unintentional starting. Ensure the switch is in the off-position before connecting to power source and/or battery pack, picking up or carrying the tool.** Carrying power tools with your finger on the switch or energising power tools that have the switch on invites accidents.
- d) **Remove any adjusting key or wrench before turning the power tool on.** A wrench

or a key left attached to a rotating part of the power tool may result in personal injury.

- e) **Do not overreach. Keep proper footing and balance at all times.** This enables better control of the power tool in unexpected situations.
 - f) **Dress properly. Do not wear loose clothing or jewellery. Keep your hair, clothing and gloves away from moving parts.** Loose clothes, jewellery or long hair can be caught in moving parts.
 - g) **If devices are provided for the connection of dust extraction and collection facilities, ensure these are connected and properly used.** Use of dust collection can reduce dust-related hazards.
 - h) **Do not let familiarity gained from frequent use of tools allow you to become complacent and ignore tool safety principles.** A careless action can cause severe injury within a fraction of a second.
- ### 4) Power tool use and care
- a) **Do not force the power tool. Use the correct power tool for your application.** The correct power tool will do the job better and safer at the rate for which it was designed.
 - b) **Do not use the power tool if the switch does not turn it on and off.** Any power tool that cannot be controlled with the switch is dangerous and must be repaired.
 - c) **Disconnect the plug from the power source and/or the battery pack from the power tool before making any adjustments, changing accessories, or storing power tools.** Such preventive safety measures reduce the risk of starting the power tool accidentally.
 - d) **Store idle power tools out of the reach of children and do not allow persons unfamiliar with the power tool or these instructions to operate the power tool.** Power tools are dangerous in the hands of untrained users.
 - e) **Maintain power tools. Check for misalignment or binding of moving parts, breakage of parts and any other condition that may affect the power tools operation. If damaged, have the power tool repaired before use.** Many accidents are caused by poorly maintained power tools.
 - f) **Keep cutting tools sharp and clean.** Properly maintained cutting tools with sharp cutting edges are less likely to bind and are easier to control.
 - g) **Use the power tool, accessories and tool bits etc. in accordance with these instructions and in the manner intended for the particular type of power tool, taking into account the working conditions and the work to be performed.** Use of the power tool for operations different from those intended could result in a hazardous situation.
 - h) **Keep handles and grasping surfaces dry, clean and free from oil and grease.** Slippery handles and grasping surfaces do not allow for safe handling and control of the tool in unexpected situations.
- ### 5) Service
- a) **Have your power tool serviced by a qualified repair person using only identical replacement parts.** This will ensure that the safety of the power tool is maintained.

ADDITIONAL SAFETY WARNINGS FOR DRILL DRIVERS



WARNING! Hold power tool by insulated gripping surfaces when performing an operation where the cutting accessory may contact hidden wiring or its own cord. Cutting a 'live' wire may make exposed metal parts of the power tool 'live' and could give the operator an electric shock.

Safety Warnings Common for Drilling Operations:

- a) **Before drilling into walls, ceilings, etc.,** ensure that there are no concealed power cables or pipes in the cavity.
- b) **Wear ear protectors when impact drilling.** Exposure to noise can cause hearing loss.
- c) **Use auxiliary handle(s), if supplied with the tool.** Loss of control can cause personal injury.

WARNING! Some dust created by power sanding, sawing, grinding, drilling and other construction activities contains chemicals known to cause cancer, birth defects or other reproductive harm.

Some examples of these chemicals are:

- Lead from lead-based paints;
- Crystalline silica from bricks, cement and other masonry products, and;
- Arsenic and chromium from chemically-treated timber.

The risk from such exposures vary depending on how often you do this type of work. To reduce your exposure to these chemicals; work in a well ventilated area, and work with approved safety equipment, such as those dust masks that are specifically designed to filter out microscopic particles.

WARNING! This appliance is not intended for use by persons (including children) with reduced physical, sensory or mental capabilities, or lack of experience and knowledge, unless they have been given supervision or instruction concerning use of the appliance by a person responsible for their safety.

Young children should be supervised to ensure that they do not play with the appliance.

Operating instructions

XLBP-015



18V
Battery
1.5Ah Lithium Ion
XU1 BLUE 18VOLT

12 MONTHS HOME USE
REPLACEMENT WARRANTY

XU1 Power tools

1–23 Letcon Drive, Bangholme, Victoria, Australia 3175

Telephone: 1800 069 486


XLBP-015 0219

SAFETY INSTRUCTIONS

DESCRIPTION OF SYMBOLS

-  Read instruction manual
-  Indoor use only
-  Do not incinerate
-  Do not use or store battery in temperatures exceeding 40°C
-  Do not get battery wet
-  Do not put in the rubbish
-  Regulatory Compliance Mark (RCM)

ELECTRICAL SAFETY

 **WARNING!** When using mains-powered tools, basic safety precautions, including the following, should always be followed to reduce risk of fire, electric shock, personal injury and material damage.

Read the whole manual carefully and make sure you know how to switch the tool off in an emergency, before operating the tool. Save these instructions and other documents supplied with this tool for future reference.

Note: The supply of 230V and 240V on Ozito tools are interchangeable for Australia and New Zealand.



This tool's charger is double insulated, therefore no earth wire is required.

1. If the supply cord is damaged, it must be replaced by the manufacturer, its service agent or similarly qualified persons in order to avoid hazard.

Note: Double insulation does not take the place of normal safety precautions when operating this tool. The insulation system is for added protection against injury resulting from a possible electrical insulation failure within the tool.

2. Using an Extension Lead
Always use an approved extension lead suitable for the power input of this tool. Before use, inspect the extension lead for signs of damage, wear and ageing. Replace the extension lead if damaged or defective.
When using an extension lead on a reel, always unwind the lead completely. Use of an extension lead not suitable for the power input of the tool or which is damaged or defective may result in a risk of fire and electric shock.
3. To reduce the risk of electric shock, we recommend the use of a residual current device (rated 30mA or less).
4. This appliance is not intended for use by persons (including

children) with reduced physical, sensory or mental capabilities, or lack of experience and knowledge, unless they have been given supervision or instruction concerning use of the appliance by a person responsible for their safety.

5. Children should be supervised to ensure that they do not play with the appliance.

BATTERY PACK SAFETY WARNINGS

THIS MANUAL CONTAINS IMPORTANT SAFETY AND OPERATING INSTRUCTIONS FOR YOUR BATTERY.

1. Before using the charger read all instructions and cautionary markings on the charger, battery pack and the product using the battery pack.
2. This charger is not intended for any uses other than charging rechargeable batteries. Any other use may result in risk of fire, electric shock or electrocution.
3. Only use the compatible XU1 charger to recharge this XU1 battery.
4. Do not place any object on top of the charger or place the charger on a soft surface that may result in excessive internal heat. Place the charger in a position away from any heat source.
5. To reduce risk of damage to the electric plug and cord, pull by the plug rather than the cord when disconnecting the charger.
6. Make sure the cord is located so that it will not be stepped on, tripped over, or otherwise subjected to damage or stress.
7. An extension cord should not be used unless absolutely necessary. Use of an improper extension cord could result in the risk of fire, electric shock or electrocution.
8. Do not operate the charger if it has received a sharp blow, been dropped or otherwise damaged in any way. Have it checked by an electrician or power tool repairer.
9. Do not disassemble charger. Take it to an electrician or power tool repairer when service or repair is required. Incorrect reassembly may result in a risk of electric shock, electrocution or fire.
10. To reduce risk of electric shock, unplug the charger from the outlet before attempting any cleaning. Removing the battery pack will not reduce this risk.
11. Never attempt to connect 2 chargers together.
12. DO NOT store or use the tool and battery pack in locations where the temperature may reach or exceed 40°C (such as inside sheds or metal buildings in summer).
13. The charger is designed to operate on standard household electrical power (240 volts). Do not attempt to use it on any other voltage!
14. The battery pack is not fully charged out of the carton. First read the safety instructions and then follow the charging notes and procedures.
15. The longest life and best performance can be obtained if the battery pack is charged when the air temperature is between 18 - 24°C. Do not charge the battery pack in an air temperature below 10°C or above 40°C. This is important and will prevent damage to the battery pack.
16. Do not incinerate the battery pack even if it is seriously damaged or is completely worn out. The battery can explode in a fire.
17. Never attempt to open the battery pack for any reason. If the plastic housing of the battery pack breaks or cracks, immediately discontinue use and do not recharge.
18. During charging, the battery must be placed in a well ventilated area.

SPECIFICATIONS

Input Voltage:	18V
Battery Capacity:	1.5Ah Li-Ion
Power Consumption:	27Wh
Tool Weight:	0.350kg

PROPER USE



ALWAYS WEAR EYE, FACE AND EAR PROTECTION

This tool is intended for use in a DIY (Do It Yourself) context or for hobbyist purposes. It is not built for continuous daily use in a trade or professional capacity.

Before using the machine, carefully read these instructions, especially the safety rules to help ensure that your machine always operates properly.

Before attempting to operate the machine, familiarise yourself with the controls and make sure you know how to stop the machine quickly in an emergency.

Save these instructions and the other documents supplied with this machine for future reference.



WARNING! Ensure the tool is turned off and disconnected from the power supply before performing any of the following operations.

SETUP

Charging Your Battery

1. Insert the power plug of the charger into the mains socket outlet.
2. To charge the battery, slide the battery pack onto the port in the charger. Make sure the release latch on the rear of the battery snaps into place and the battery is secure before charging.
3. Remove the battery from the charger once fully charged by pressing the battery release latch and pulling the battery pack from the charger at the same time.
4. Disconnect the charger from the power supply.

CONTROLS

Battery Capacity Indicator

There are battery capacity indicators on the battery pack. Check the charge capacity of your battery before use and charge if necessary.

1. To check the battery capacity, press the button to the side of the indicator LEDs.
2. Indicator Status:
 - 3 lit LEDs: Battery fully charged.
 - 2 lit LEDs: Battery 60% charged.
 - 1 lit LED: Battery almost discharged.

OPERATION

Fitting the Battery Pack

1. Slide the battery into the base of the tool until it clicks into place.
2. To remove the battery, press and hold the battery release tab down then remove the battery.

CARING FOR THE ENVIRONMENT



Power tools that are no longer usable should not be disposed of with household waste but in an environmentally friendly way. Please recycle where facilities exist. Check with your local council authority for recycling advice.



Recycling packaging reduces the need for landfill and raw materials. Reuse of recycled material decreases pollution in the environment. Please recycle packaging where facilities exist.

Check with your local council authority for recycling advice.

WARRANTY

YOUR WARRANTY FORM SHOULD BE RETAINED BY YOU AT ALL TIMES. IN ORDER TO MAKE A CLAIM UNDER THIS WARRANTY YOU MUST RETURN THE PRODUCT TO YOUR NEAREST BUNNINGS WAREHOUSE WITH YOUR BUNNINGS REGISTER RECEIPT. PRIOR TO RETURNING YOUR PRODUCT FOR WARRANTY. PLEASE TELEPHONE OUR CUSTOMER SERVICE HELPLINE:

Australia 1800 069 486

New Zealand 0508 069 486

TO ENSURE A SPEEDY RESPONSE PLEASE HAVE THE MODEL NUMBER AND DATE OF PURCHASE AVAILABLE. A CUSTOMER SERVICE REPRESENTATIVE WILL TAKE YOUR CALL AND ANSWER ANY QUESTIONS YOU MAY HAVE RELATING TO THE WARRANTY POLICY OR PROCEDURE.

The benefits provided under this warranty are in addition to other rights and remedies which are available to you at law.

Our goods come with guarantees that cannot be excluded at law. You are entitled to a replacement or refund for a major failure and for compensation for any other reasonably foreseeable loss or damage. You are also entitled to have the goods repaired or replaced if the goods fail to be of acceptable quality and the failure does not amount to a major failure.

Generally you will be responsible for all costs associated with a claim under this warranty, however, where you have suffered any additional direct loss as a result of a defective product you may be able to claim such expenses by contacting our customer service helpline above.

1 YEAR REPLACEMENT WARRANTY

Your product is guaranteed for a period of 12 months from the original date of purchase and is intended for DIY (Do It Yourself) use only. If a product is defective it will be replaced in accordance with the terms of this warranty. Warranty excludes consumable parts, for example: driver bits.

WARNING

The following actions will result in the warranty being void.

- Professional, Industrial or high frequency use.
- If the tool has been operated on a supply voltage other than that specified on the tool.
- If the tool shows signs of damage or defects caused by or resulting from abuse, accidents or alterations.
- Failure to perform maintenance as set out within the instruction manual.
- If the tool is disassembled or tampered with in any way.

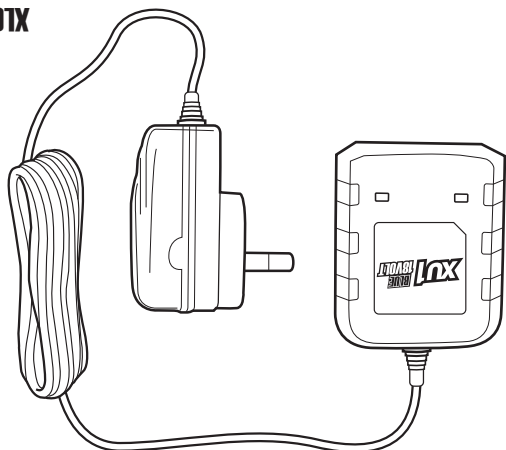
XU1

Australia/New Zealand (Head Office)

1-23 Letcon Drive, Bangholme, Victoria, Australia 3175

Operating instructions

XLG-035



18V
Standard
Charger
XU1
BLUE
18VOLT

REPLACEMENT WARRANTY
12 MONTHS HOME USE

XU1 Power tools








1–23 Letcon Drive, Bangholme, Victoria, Australia 3175

Telephone: 1800 069 486


XLG-035 0219

SAFETY INSTRUCTIONS

DESCRIPTION OF SYMBOLS

-  Read instruction manual
-  Indoor use only
-  R.C.M. Regulatory compliance mark
-  Double insulated
-  Transformer energy rating (MEPS)
-  Polarity
-  Warning

ELECTRICAL SAFETY

 **WARNING!** When using mains-powered tools, basic safety precautions, including the following, should always be followed to reduce risk of fire, electric shock, personal injury and material damage.

Read the whole manual carefully and make sure you know how to switch the tool off in an emergency, before operating the tool. Save these instructions and other documents supplied with this tool for future reference.

Note: The supply of 230V and 240V on Ozito tools are interchangeable for Australia and New Zealand.



This tool's charger is double insulated, therefore no earth wire is required.

1. If the supply cord is damaged, it must be replaced by the manufacturer, its service agent or similarly qualified persons in order to avoid hazard.

Note: Double insulation does not take the place of normal safety precautions when operating this tool. The insulation system is for added protection against injury resulting from a possible electrical insulation failure within the tool.

2. Using an Extension Lead

Always use an approved extension lead suitable for the power input of this tool. Before use, inspect the extension lead for signs of damage, wear and ageing. Replace the extension lead if damaged or defective.

When using an extension lead on a reel, always unwind the lead completely. Use of an extension lead not suitable for the power input of the tool or which is damaged or defective may result in a risk of fire and electric shock.

3. To reduce the risk of electric shock, we recommend the use of a residual current device (rated 30mA or less).
4. This appliance is not intended for use by persons (including children) with reduced physical, sensory or mental capabilities, or lack of experience and knowledge, unless they have been

given supervision or instruction concerning use of the appliance by a person responsible for their safety.

5. Children should be supervised to ensure that they do not play with the appliance.

CHARGER SAFETY WARNINGS

THIS MANUAL CONTAINS IMPORTANT SAFETY AND OPERATING INSTRUCTIONS FOR YOUR CHARGER.

1. Before using the charger read all instructions and cautionary markings on the charger, battery pack and the product using the battery pack.
2. This charger is not intended for any uses other than charging rechargeable batteries. Any other use may result in risk of fire, electric shock or electrocution.
3. Only use the compatible XU1 charger to recharge XU1 batteries.
4. Do not place any object on top of the charger or place the charger on a soft surface that may result in excessive internal heat. Place the charger in a position away from any heat source.
5. To reduce risk of damage to the electric plug and cord, pull by the plug rather than the cord when disconnecting the charger.
6. Make sure the cord is located so that it will not be stepped on, tripped over, or otherwise subjected to damage or stress.
7. An extension cord should not be used unless absolutely necessary. Use of an improper extension cord could result in the risk of fire, electric shock or electrocution.
8. Do not operate the charger if it has received a sharp blow, been dropped or otherwise damaged in any way. Have it checked by an electrician or power tool repairer.
9. Do not disassemble charger. Take it to an electrician or power tool repairer when service or repair is required. Incorrect reassembly may result in a risk of electric shock, electrocution or fire.
10. To reduce risk of electric shock, unplug the charger from the outlet before attempting any cleaning. Removing the battery pack will not reduce this risk.
11. Never attempt to connect 2 chargers together.
12. DO NOT store or use the tool and battery pack in locations where the temperature may reach or exceed 40°C (such as inside sheds or metal buildings in summer).
13. The charger is designed to operate on standard household electrical power (240 volts). Do not attempt to use it on any other voltage!
14. The battery pack is not fully charged out of the carton. First read the safety instructions and then follow the charging notes and procedures.
15. The longest life and best performance can be obtained if the battery pack is charged when the air temperature is between 18 - 24°C. Do not charge the battery pack in an air temperature below 10°C or above 40°C. This is important and will prevent damage to the battery pack.
16. Do not incinerate the battery pack even if it is seriously damaged or is completely worn out. The battery can explode in a fire.
17. Never attempt to open the battery pack for any reason. If the plastic housing of the battery pack breaks or cracks, immediately discontinue use and do not recharge.
18. During charging, the battery must be placed in a well ventilated area.

SPECIFICATIONS

Charge Time:	4.7hours (1.5Ah)
	5.8hours (2.0Ah)
	11.7hours (4.0Ah)
Input:	100-240V ~ 50Hz, 15W
Output:	21V DC, 370mA
Protection Class:	II
Tool Weight:	0.105kg

PROPER USE



ALWAYS WEAR EYE, FACE AND EAR PROTECTION

This tool is intended for use in a DIY (Do It Yourself) context or for hobbyist purposes. It is not built for continuous daily use in a trade or professional capacity.

Before using the machine, carefully read these instructions, especially the safety rules to help ensure that your machine always operates properly.

Before attempting to operate the machine, familiarise yourself with the controls and make sure you know how to stop the machine quickly in an emergency.

Save these instructions and the other documents supplied with this machine for future reference.



WARNING! Ensure the tool is turned off and disconnected from the power supply before performing any of the following operations.



CONTROLS

Power Supply Indicator

There is a LED light on the power supply adaptor. This will light up and remain on when the charger is plugged into a working power source.

Charge Status Indicators

There are green and red LED lights on the battery that will indicate the charging status of the battery.

- Red light ON:** Battery is CHARGING.
 - Green light ON:** Battery is FULLY CHARGED.
 - Green & Red light ON:** The surrounding temperature is too high or too low. Try again when the temperature is between 10°C & 40°C.
-   **Green & Red light FLASHING:** The battery is DAMAGED. Do not continue charging.

OPERATION

Charging Your Battery

1. Insert the power plug of the charger into the mains socket outlet.
2. To charge the battery, slide the battery pack onto the port in the charger. Make sure the release latch on the rear of the battery snaps into place and the battery is secure before charging.
3. Remove the battery from the charger once fully charged by pressing the battery release latch and pulling the battery pack from the charger at the same time.
4. Disconnect the charger from the power supply.

CARING FOR THE ENVIRONMENT



Power tools that are no longer usable should not be disposed of with household waste but in an environmentally friendly way. Please recycle where facilities exist. Check with your local council authority for recycling advice.



Recycling packaging reduces the need for landfill and raw materials. Reuse of recycled material decreases pollution in the environment. Please recycle packaging where facilities exist.

Check with your local council authority for recycling advice.

WARRANTY

YOUR WARRANTY FORM SHOULD BE RETAINED BY YOU AT ALL TIMES. IN ORDER TO MAKE A CLAIM UNDER THIS WARRANTY YOU MUST RETURN THE PRODUCT TO YOUR NEAREST BUNNINGS WAREHOUSE WITH YOUR BUNNINGS REGISTER RECEIPT. PRIOR TO RETURNING YOUR PRODUCT FOR WARRANTY. PLEASE TELEPHONE OUR CUSTOMER SERVICE HELPLINE:

Australia 1800 069 486

New Zealand 0508 069 486

TO ENSURE A SPEEDY RESPONSE PLEASE HAVE THE MODEL NUMBER AND DATE OF PURCHASE AVAILABLE. A CUSTOMER SERVICE REPRESENTATIVE WILL TAKE YOUR CALL AND ANSWER ANY QUESTIONS YOU MAY HAVE RELATING TO THE WARRANTY POLICY OR PROCEDURE.

The benefits provided under this warranty are in addition to other rights and remedies which are available to you at law.

Our goods come with guarantees that cannot be excluded at law. You are entitled to a replacement or refund for a major failure and for compensation for any other reasonably foreseeable loss or damage. You are also entitled to have the goods repaired or replaced if the goods fail to be of acceptable quality and the failure does not amount to a major failure.

Generally you will be responsible for all costs associated with a claim under this warranty, however, where you have suffered any additional direct loss as a result of a defective product you may be able to claim such expenses by contacting our customer service helpline above.

1 YEAR REPLACEMENT WARRANTY

Your product is guaranteed for a period of 12 months from the original date of purchase and is intended for DIY (Do It Yourself) use only. If a product is defective it will be replaced in accordance with the terms of this warranty. Warranty excludes consumable parts, for example: driver bits.

WARNING

The following actions will result in the warranty being void.

- Professional, Industrial or high frequency use.
- If the tool has been operated on a supply voltage other than that specified on the tool.
- If the tool shows signs of damage or defects caused by or resulting from abuse, accidents or alterations.
- Failure to perform maintenance as set out within the instruction manual.
- If the tool is disassembled or tampered with in any way.

XU1

Australia/New Zealand (Head Office)

1-23 Letcon Drive, Bangholme, Victoria, Australia 3175