

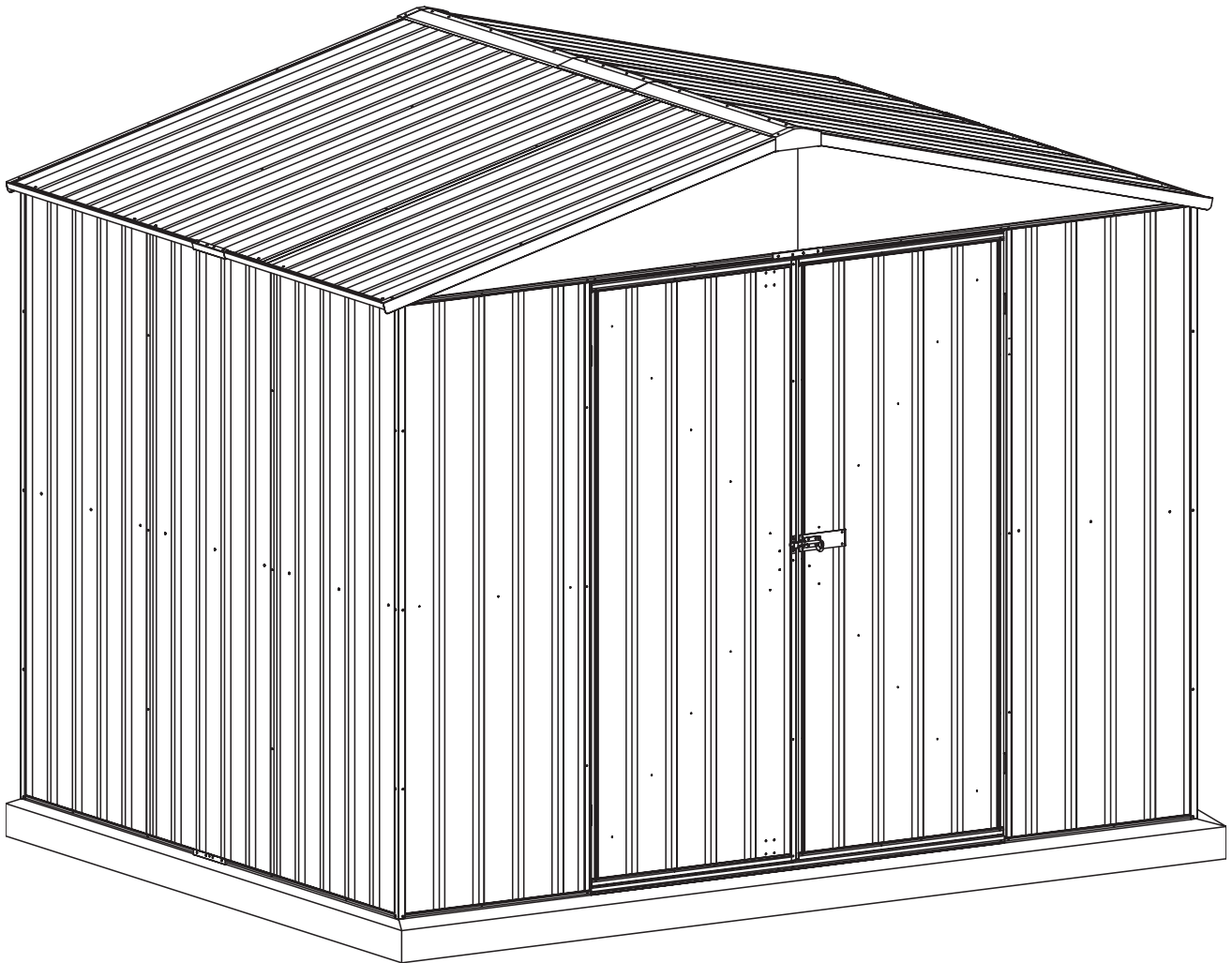
# GardenShed



3.0W x 2.3D x 2.4Hm

3.0m Gable Series

Assembly instructions



**Congratulations** on purchasing your new Pinnacle garden shed. Before assembling, we recommend you read the instructions thoroughly. Your new shed comes with pre-drilled holes to make assembly quicker. We recommend you assemble the shed using a trestle table or sawhorses and planks. This will ensure that you are working off the ground and make it easier for you. Assembly is a two-person job and should not be attempted in windy conditions.

## SAFETY TIP:

When assembling or installing this product wear protective gloves and eyewear.

**Tools required:** Drill, measuring tape, Phillips-head screw driver, rivet gun, rubber mallet, sturdy ladder, shifting spanner, 2 saw horses, 3mm steel drill bit, 4mm steel drill bit and a 9mm masonry drill bit.

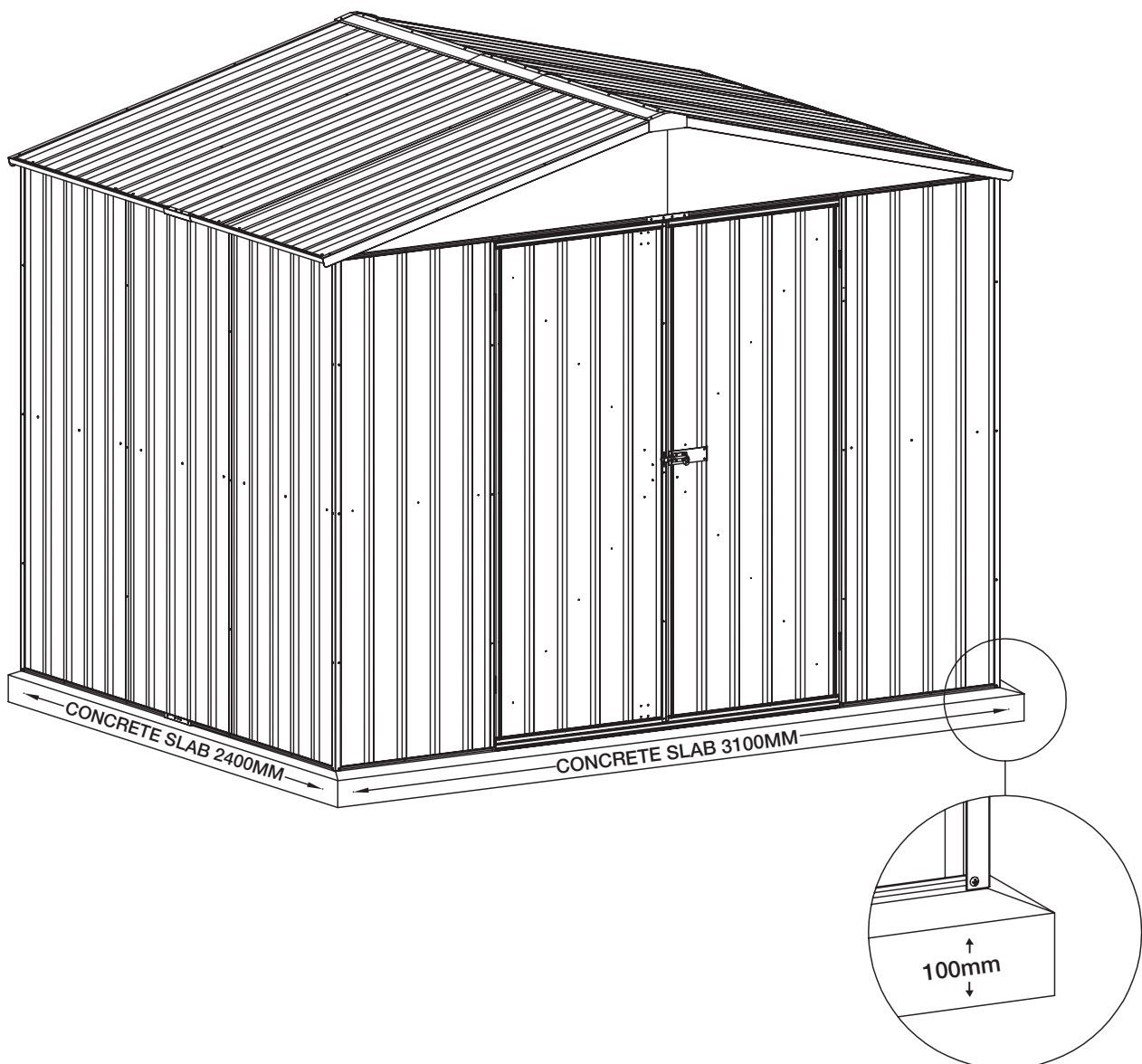
# GardenShed 3.0 x 2.3 x 2.4m

## Build your garden shed in 7 easy steps!

- Step 1:** Check all parts against the component list
- Step 2:** Assemble the rear wall panels
- Step 3:** Assemble the side wall panels
- Step 4:** Assemble the roof panels
- Step 5:** Assemble the front wall panel
- Step 6:** Assemble the front door
- Step 7:** Fit the panels together







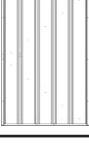




**IMPORTANT:** *It is recommended that your new shed is secured to a concrete slab as per the specifications in this manual.*

**Concrete slab:** Please ensure that your site is level. It is recommended that your slab is 100mm thick and you use builder's plastic and F52 reinforcing mesh. We recommend that you make your slab approximately 100mm bigger than the base dimensions of your shed. This will allow for a 50mm edge around your shed. We recommend that you slope the 50mm edges downward by 10mm so that rain water can drain away from your shed.























**Step 1:** Check all parts against the component list

Lay out all parts with number facing outwards and check off against parts list.




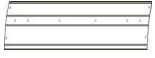
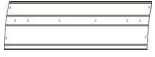



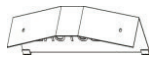



Picture	Description	Component	Location	Part No.	QTY	Box No.	Check
	Sheet	Sheet 2000x770	Rear wall side wall	9F	10	1	
	Sheet	Sheet 1579x770	Roof	S30	2	2	
	Sheet	Sheet 1579x770	Roof	S31	2	2	
	Sheet	Sheet 1579x770	Roof	S32	2	2	
	Sheet	Sheet 2000x717	Front	13A	1	2	
	Sheet	Sheet 2000x717	Front	13B	1	2	
	Door Sheet	Sheet 1943x770	Door	5K	1	2	
	Door Sheet	Sheet 1943x770	Door	5J	1	2	
	Channel	Channel 1943	Door	24H	1	1	
	Channel	Channel 1943	Door	24J	2	1	
	Channel	Channel 768	Door	M26	2	2	


# GardenShed 3.0 x 2.3 x 2.4m

Picture	Description	Component	Location	Part No.	QTY	Box No.	Check
	Channel	Channel 764	Door	M27	1	2	
	Channel	Channel 764	Door	M28	1	2	
	Jamb	Jamb 1943	Door	J21	1	1	
	Brace	Brace 1075	Door	U4	4	2	
	Channel	Channel 1124	Side wall roof	26A	4	2	
	Channel	Channel 1124	Side wall roof	26B	4	2	
	Channel	Channel 1494	Rear wall	27C	1	1	
	Channel	Channel 1494	Rear wall	27D	1	1	
	Channel	Channel 1124	Roof	26E	2	1	
	Channel	Channel 1124	Roof	26F	2	1	
	Channel	Channel 1494	Rear wall	27H	1	1	
	Channel	Channel 1494	Rear wall	27I	1	1	
	Channel	Channel 1124	Side wall	26J	2	1	





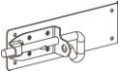






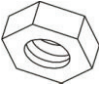






Picture	Description	Component	Location	Part No.	QTY	Box No.	Check
	Channel	Channel 1124	Side wall	26K	2	1	
	Channel	Channel 1494	Front	27L	1	1	
	Channel	Channel 1494	Front	27M	1	1	
	Channel	Channel 1494	Front	27N	1	1	
	Channel	Channel 1494	Front	27P	1	1	
	Channel	Channel 1549	Front	28	1	2	
	Channel	Channel 674	Front	33R	1	2	
	Channel	Channel 674	Front	33L	1	2	
	Channel	Channel 1098	Side wall	34R	2	2	
	Channel	Channel 1098	Side wall	34L	2	2	
	Channel	Channel 1468	Rear wall	35R	1	2	
	Channel	Channel 1468	Rear wall	35L	1	2	
	Jamb	Jamb 1998	Front	41L	1	1	
	Jamb	Jamb 1998	Front	41K	1	1	

# GardenShed 3.0 x 2.3 x 2.4m

Picture	Description	Component	Location	Part No.	QTY	Box No.	Check
	Jamb	Jamb 1549	Front	43	1	2	
	Bracing	Corner bracing 1998	Corners	Z23	4	2	
	Lip	Lip 1582	Roof	L4	4	2	
	Gable cap	Gable cap 1125	Roof	E2	2	2	
	Connector	Gable cap connector 450	Roof	E3	1	2	
	Ridge beam	Ridge beam 1125 zinc	Roof	62	2	1	
	Gable R/H	Gable 1470	Roof	G7	2	2	
	Gable L/H	Gable 1470	Roof	G8	2	2	
	Logo cap	Logo cap	Roof	95	2	2	
	Roof brace	Roof brace zinc	Roof	96	2	1	
	Ridge beam connector	Ridge beam connector 450mm zinc	Roof	67	1	1	
	Channel connector	Channel connector 188mm	Side wall	66	11	2	

Picture	Description	Component	Location	Part No.	QTY	Box No.	Check
	Joining brace	Brace	Door	W	2	2	

**Fittings part list:**

Picture	Component	QTY	Picture	Component	QTY	
	Self-tapping screws(10mm)	400		Self-tapping screws (16mm)	35	
	4 x 10mm Rivet	20		3 x 10mm Rivet	70	
	Pad bolt (part 70)	1		Keeper (part 71)	2	
	65 x 65mm barrel bolt plate (part 75)	1		60mm barrel bolt (part 74)	2	
	Mid wall brace bracket (part 72)	4		Base bracket	11	
	5/16" x 19mm Hexagonal bolt	11		5/16" Hexagonal nut	11	
	Mid wall channel connector	3		Self tapper safety cover	40	
	Channel safety cover (L type)	1		Channel safety cover (R type)	1	
	Plastic stopper	8		Sleeve anchor bolt	11	

Note: All fittings are placed inside box 2.

Qty checking date: \_\_\_ / \_\_\_ / \_\_\_

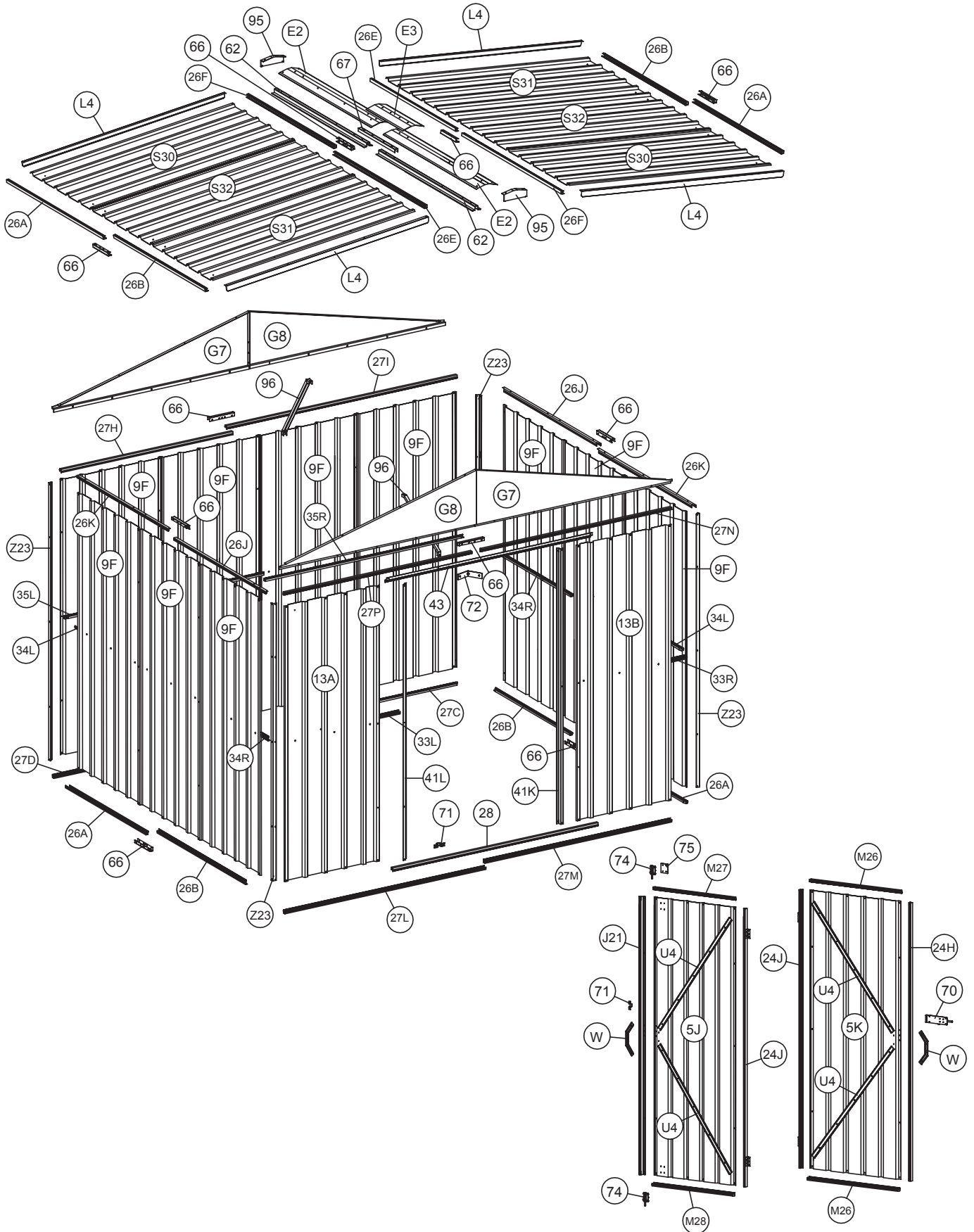
Qty checking personal badge number: \_\_\_\_\_

Signature: \_\_\_\_\_

In the unlikely event that you find you are missing a part, please contact Pinnacle at 1800 349 776. A copy of proof of purchase may be requested.

# GardenShed 3.0 x 2.3 x 2.4m

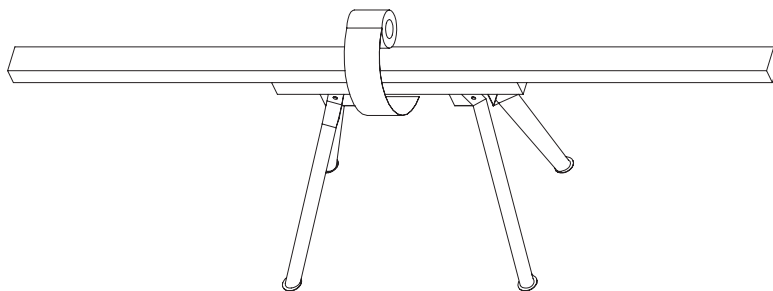
## Shed overview:



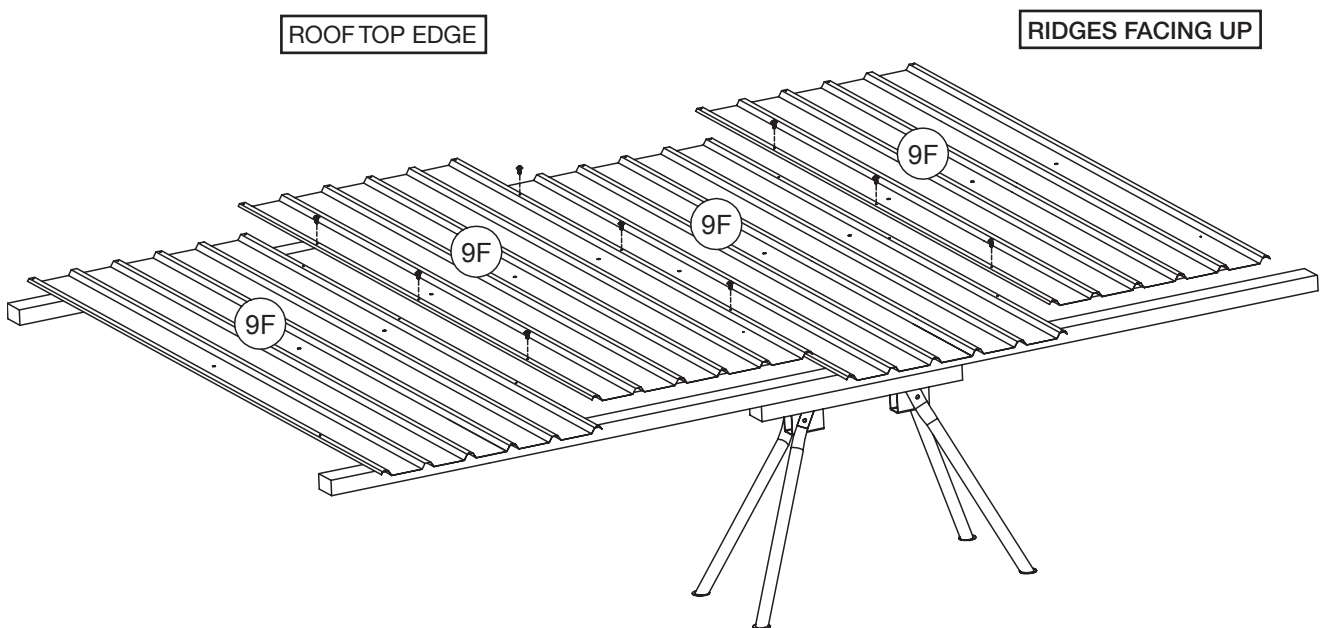


**Step 2:** Assemble the rear wall panels

You will find it easier to assemble your shed using sawhorses with timber studs attached (timber needs to be the same length as the shed (3.0 M)) or alternatively, a trestle table.



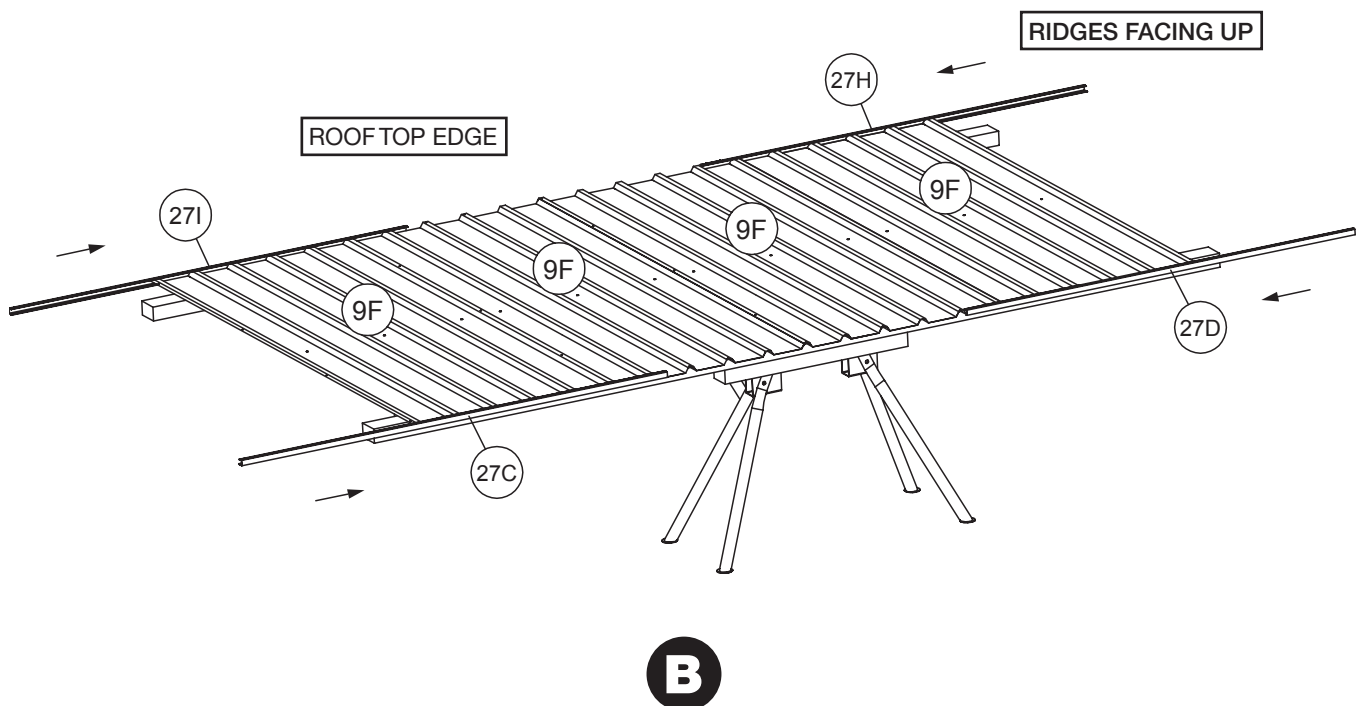
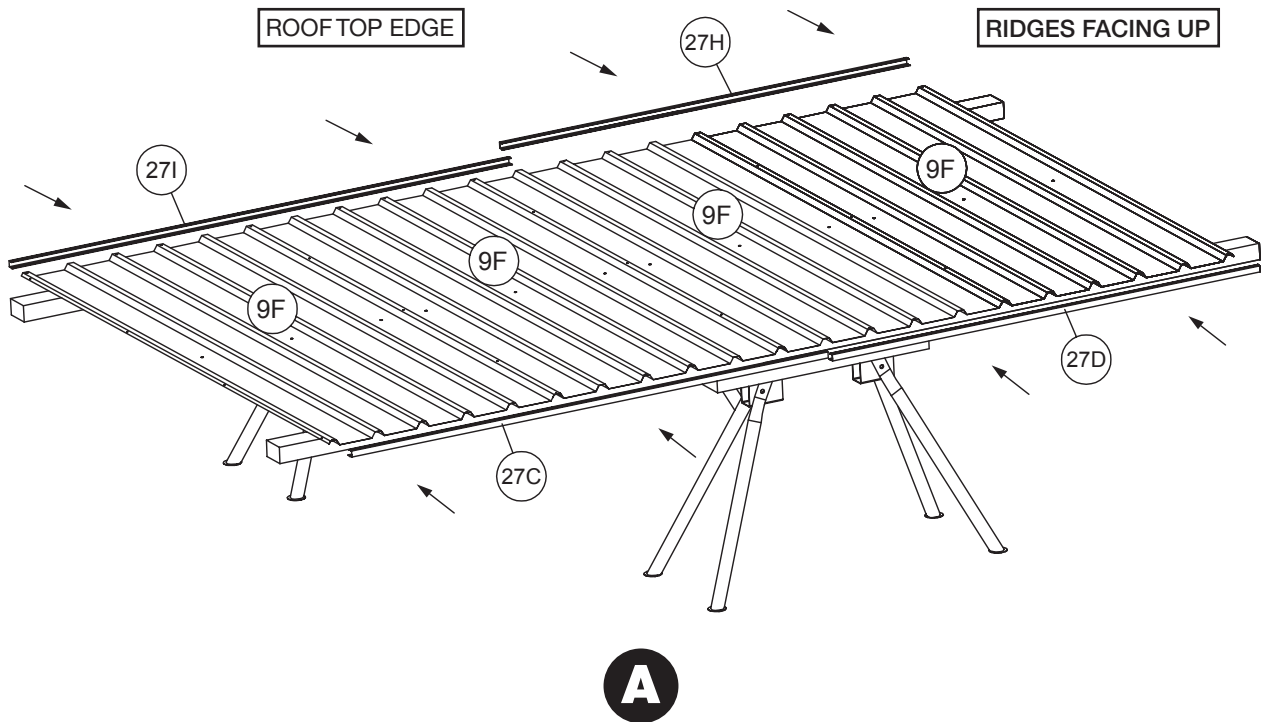
Place 4 x part 9F (sheeting) on your worktable and join together with the self-tapping screws as per the diagram below.



# GardenShed 3.0 x 2.3 x 2.4m

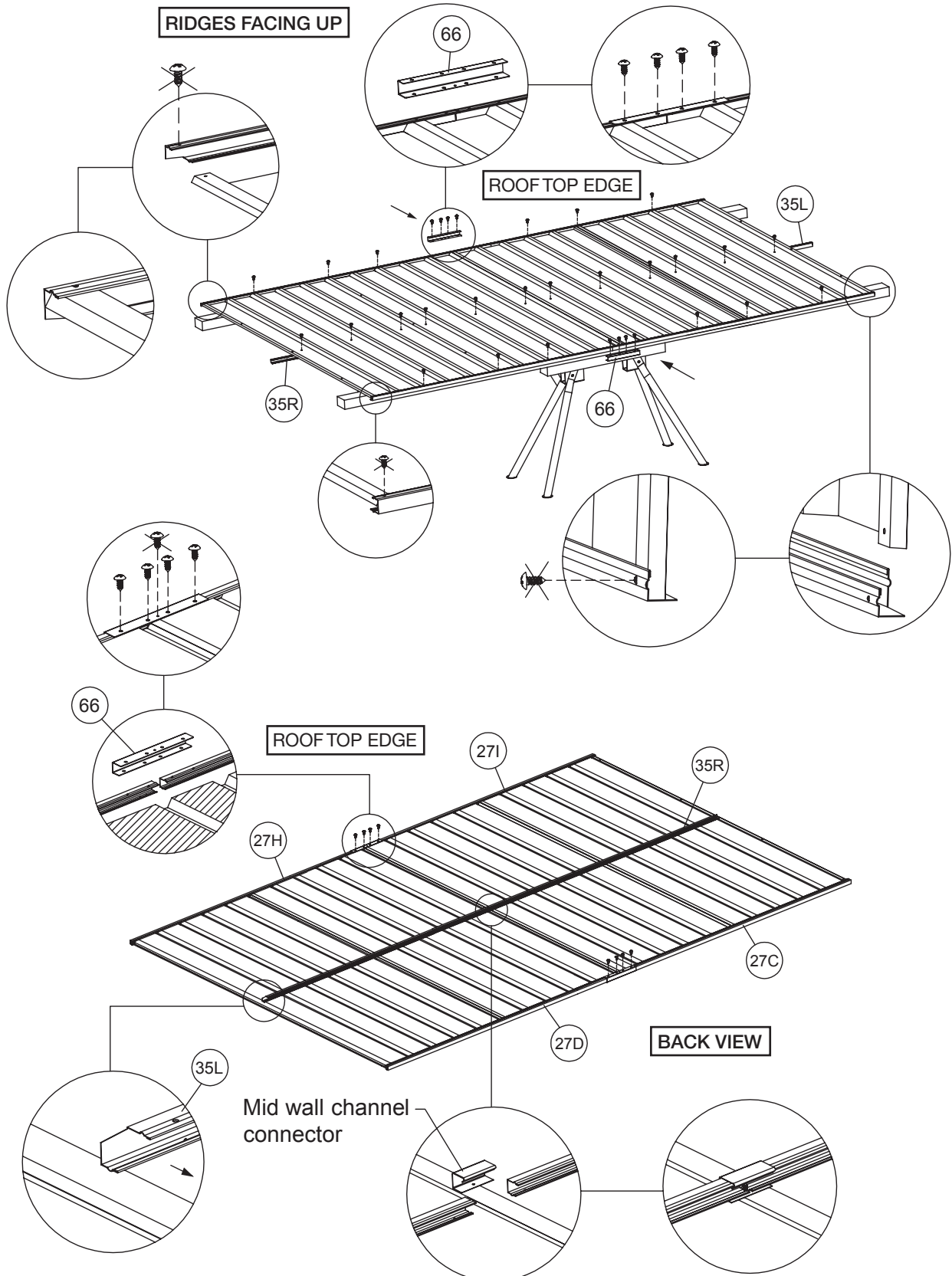
## Step 2: Assemble the rear wall panels (continued)

Now fit parts 27I, 27H (top channel) and parts 27C, 27D (bottom channels) to the sheeting by tapping it in (diagram A) or sliding it in (diagram B). Make sure the small lip of the channel is always facing out. This ensures rainwater cannot build up inside your shed. Make sure parts 27I and 27H are used as top side channels.



**Step 2:** Assemble the rear wall panels (continued)

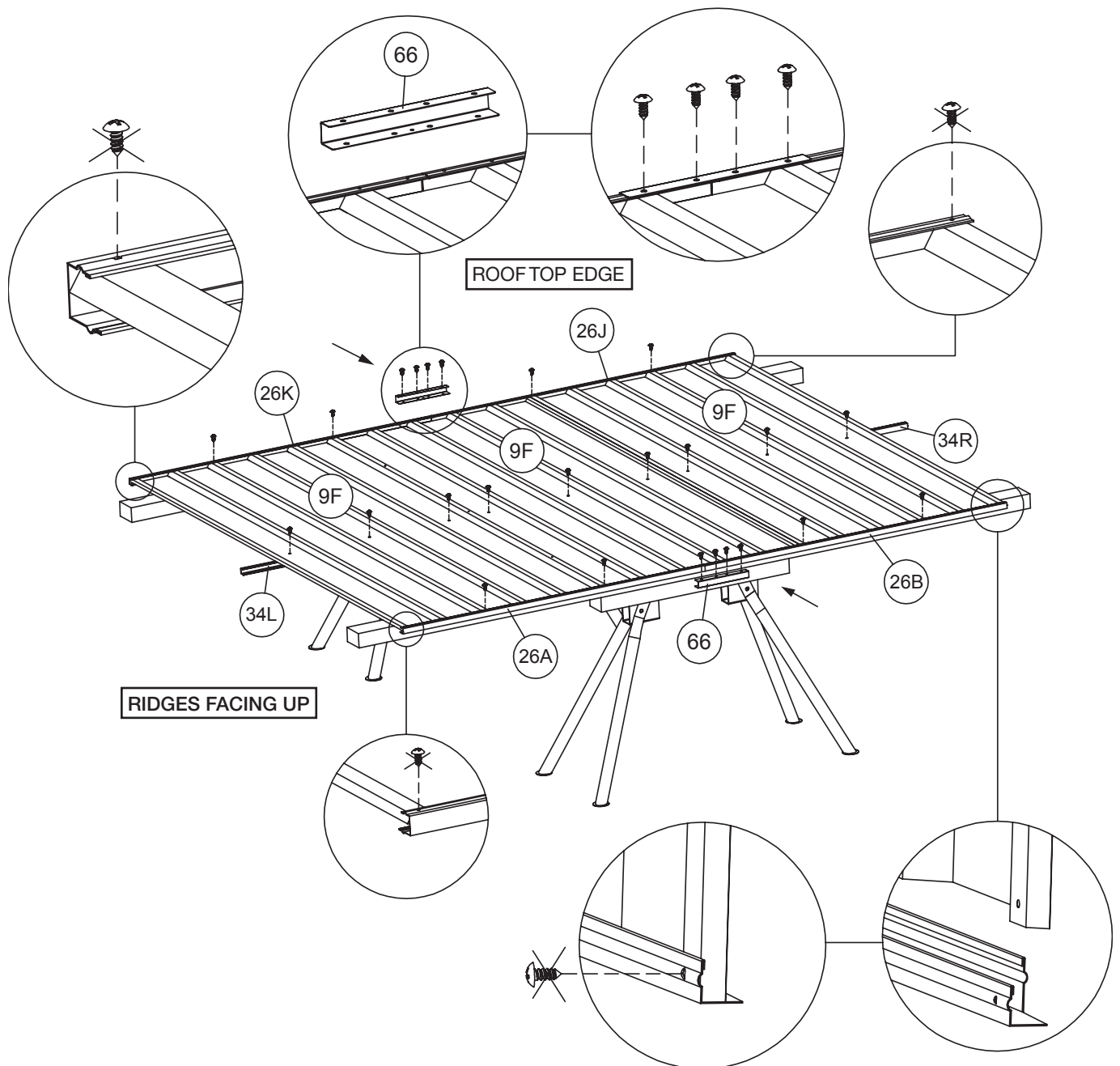
Now fix parts 35R and 35L (mid wall channels) joined by a mid wall channel connector to the sheeting with self-tapping screws. Please note that the groove should face downwards. Fix other channels with self-tapping screws. Apply part 66 (channel connector) on top and bottom channels to enhance the strength. **NOTE:** Screws are applied to both sides of the connectors. All screws marked with a cross should not be fixed at this stage.



# GardenShed 3.0 x 2.3 x 2.4m

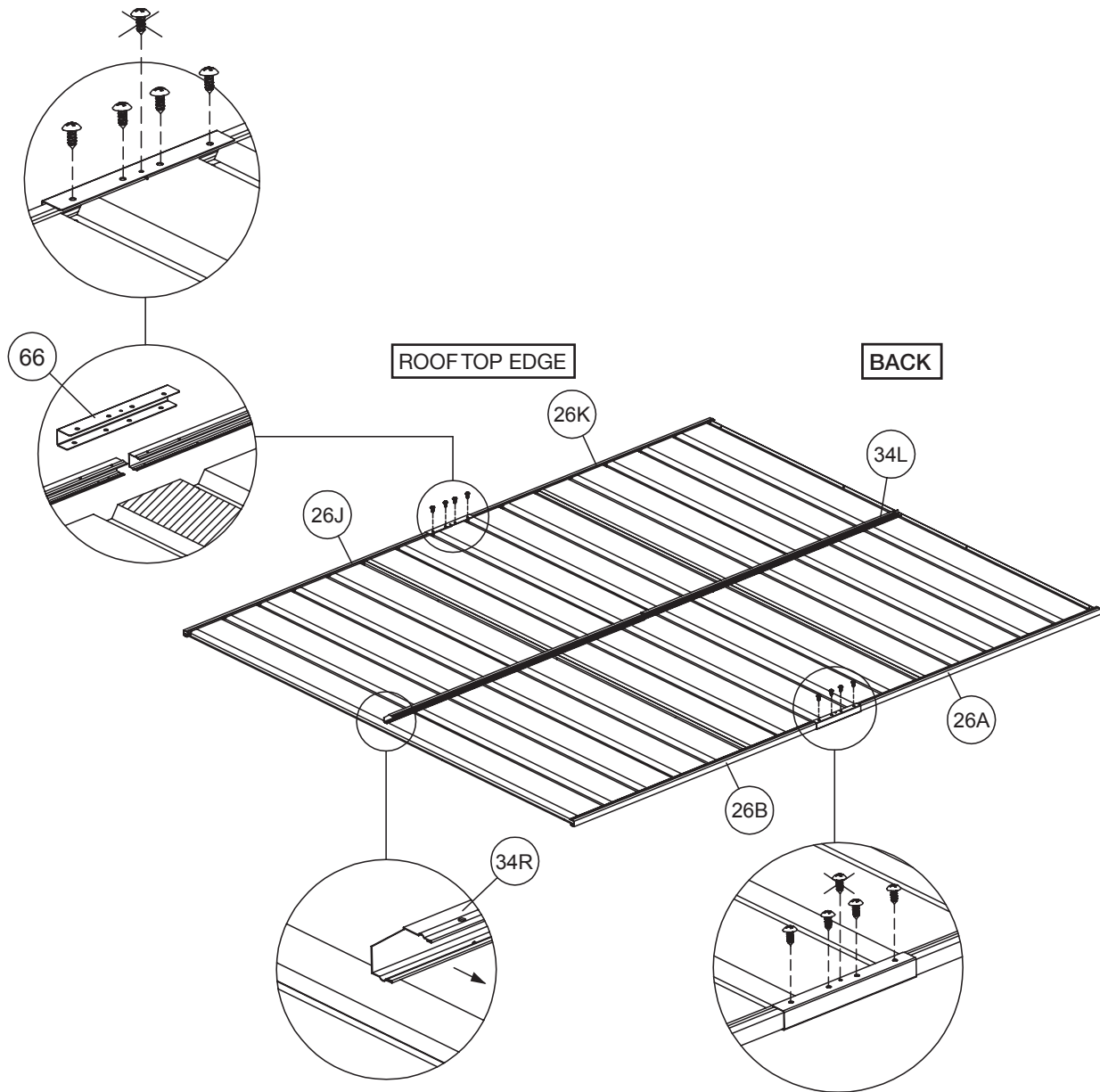
## Step 3: Assemble side wall panels

Place 3 x parts 9F (sheeting) on your worktable and join together with the self-tapping screws as per the diagram below. Now fit parts 26K, 26J (top channels) and parts 26A, 26B (bottom channels) to the sheeting by tapping or sliding it in. Make sure the small lip on the channels is always facing out. This ensures rainwater cannot build up inside your shed. Make sure parts 26K and 26J are used as top side channels. Now fix parts 34R and 34L (mid wall channels) to the sheeting with self-tapping screws. Please note the groove should face downwards. Fix other channels using self-tapping screws. Enhance the structural strength by applying part 66 (channel connector).  
**NOTE:** Screws are applied to both sides of the connectors. All screws marked with a cross should not be fixed at this stage.



**Step 3:** Assemble side wall panels (continued)

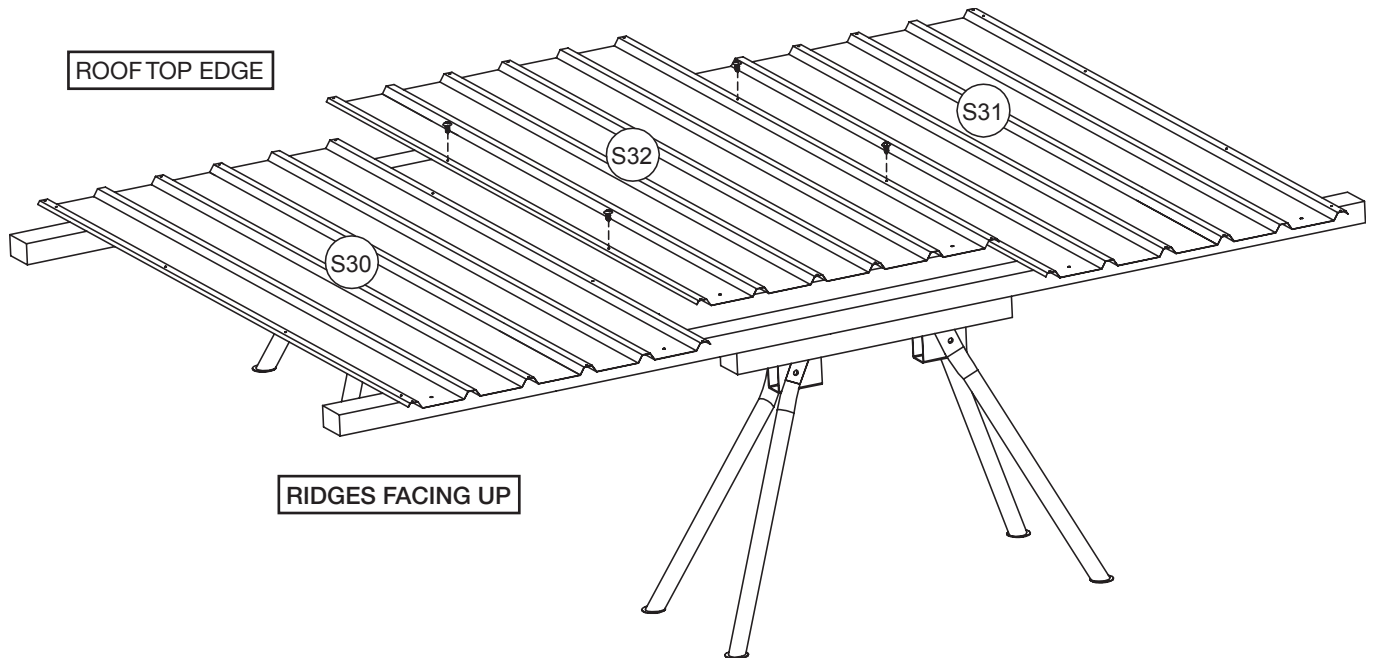
Repeat the same steps for the other side. **NOTE:** All screws marked with a cross should not be fixed at this stage.



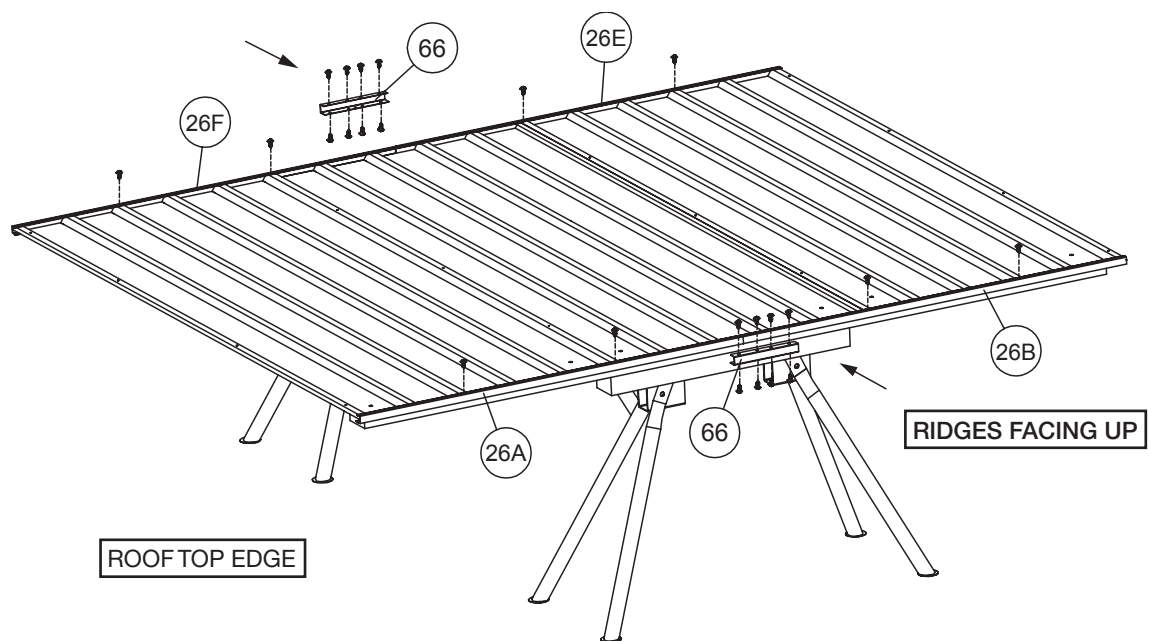
# GardenShed 3.0 x 2.3 x 2.4m

## Step 4: Assemble the roof panels

Place parts S30, S31 and S32 (sheeting) on your worktable and join together with the self-tapping screws as per the diagram below.



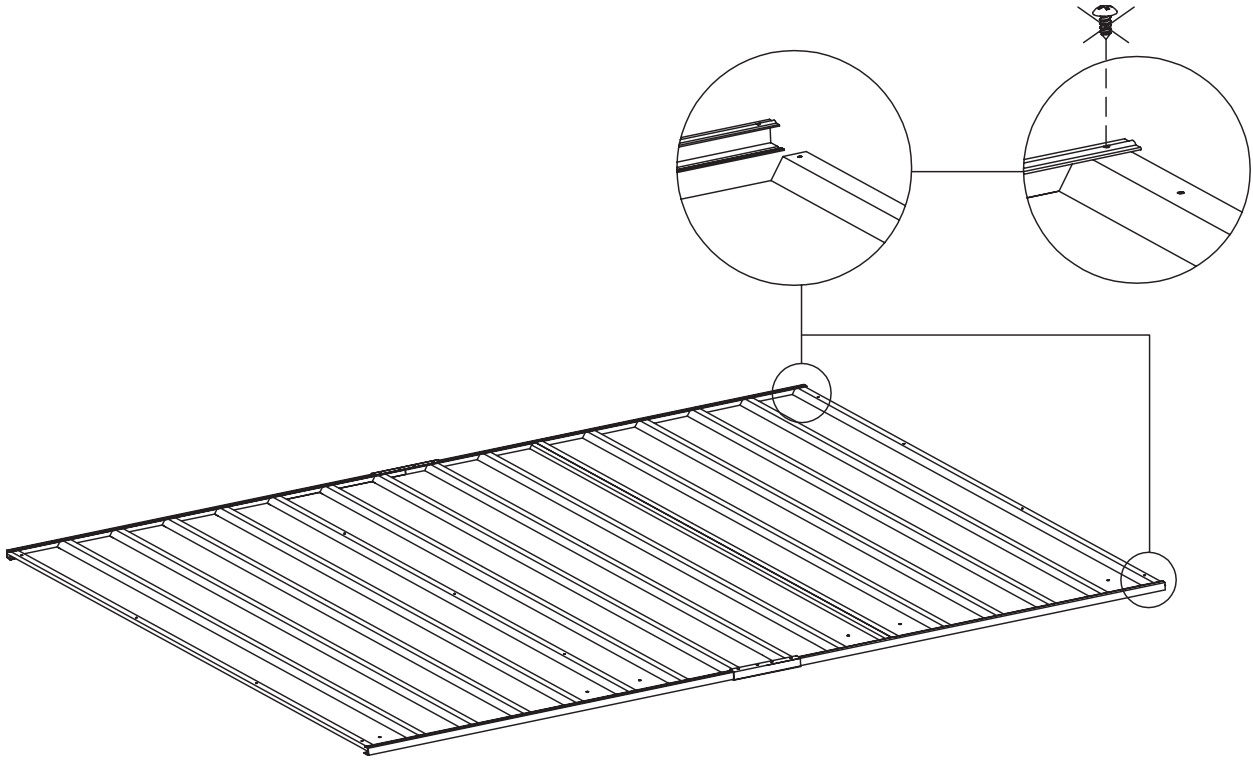
Fix parts 26F, 26E, 26A and 26B (channels) using self-tapping screws as per the diagram below. Please ensure parts 26A and 26B are attached to the side of sheeting which has pre-punched holes as per the diagram below. Make sure the small lip on the channel is always facing out. This ensures rainwater cannot build up inside your shed.



Enhance the structural strength by applying part 66 (channel connector). Note that screws are applied to both sides of the connectors.

**Step 4:** Assemble the roof panels (continued)

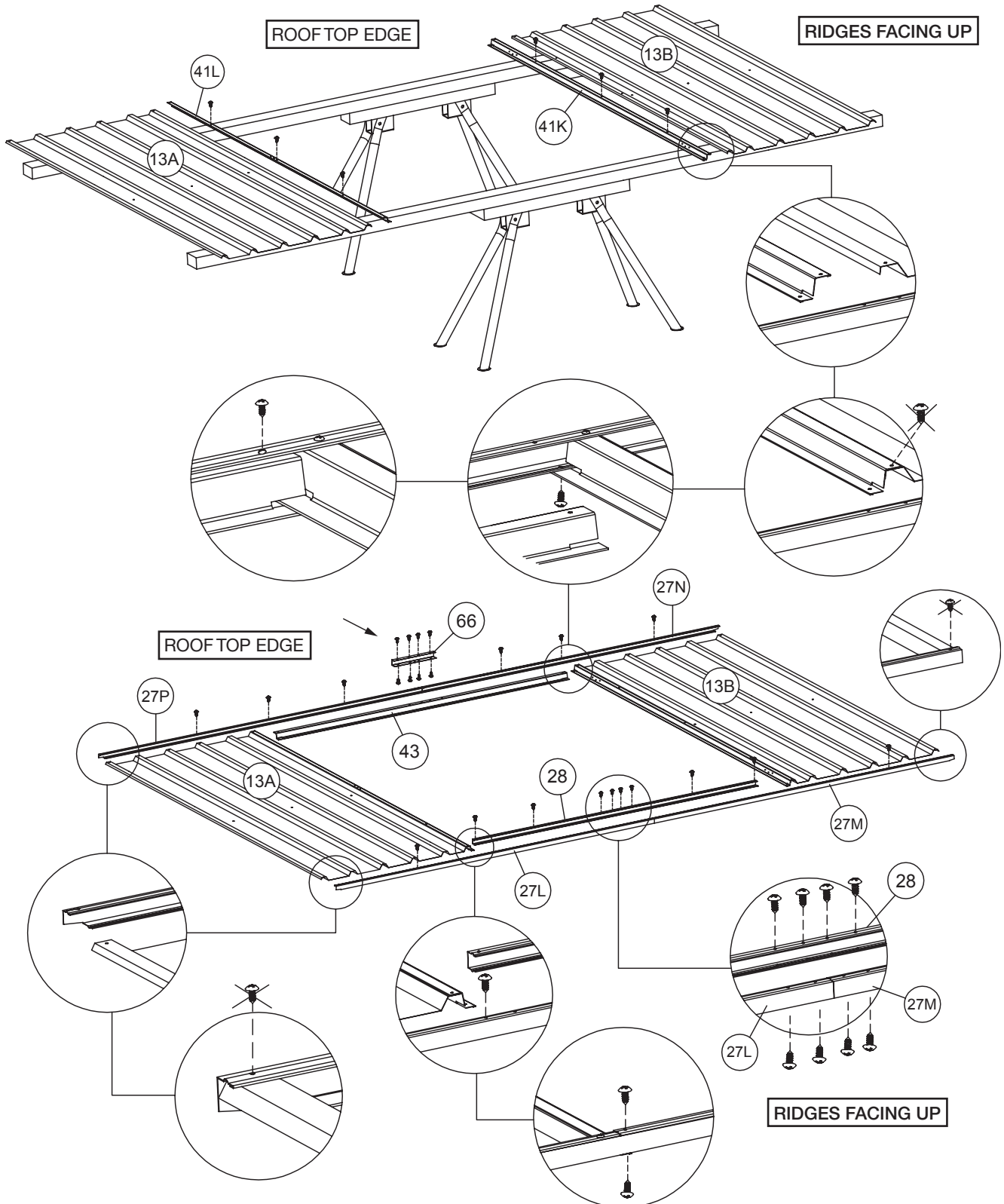
Leave 4 corners unfixed in this stage. Repeat the same steps for the other roof panel.



# GardenShed 3.0 x 2.3 x 2.4m

## Step 5: Assemble the front wall panels

Fix parts 41L and 41K (jamb) to parts 13A and 13B (sheeting) with self-tapping screws. Make sure the small lip on the channel is always facing out. This ensures rainwater cannot build up inside your shed. **NOTE:** All screws marked with a cross should not be fixed at this stage.

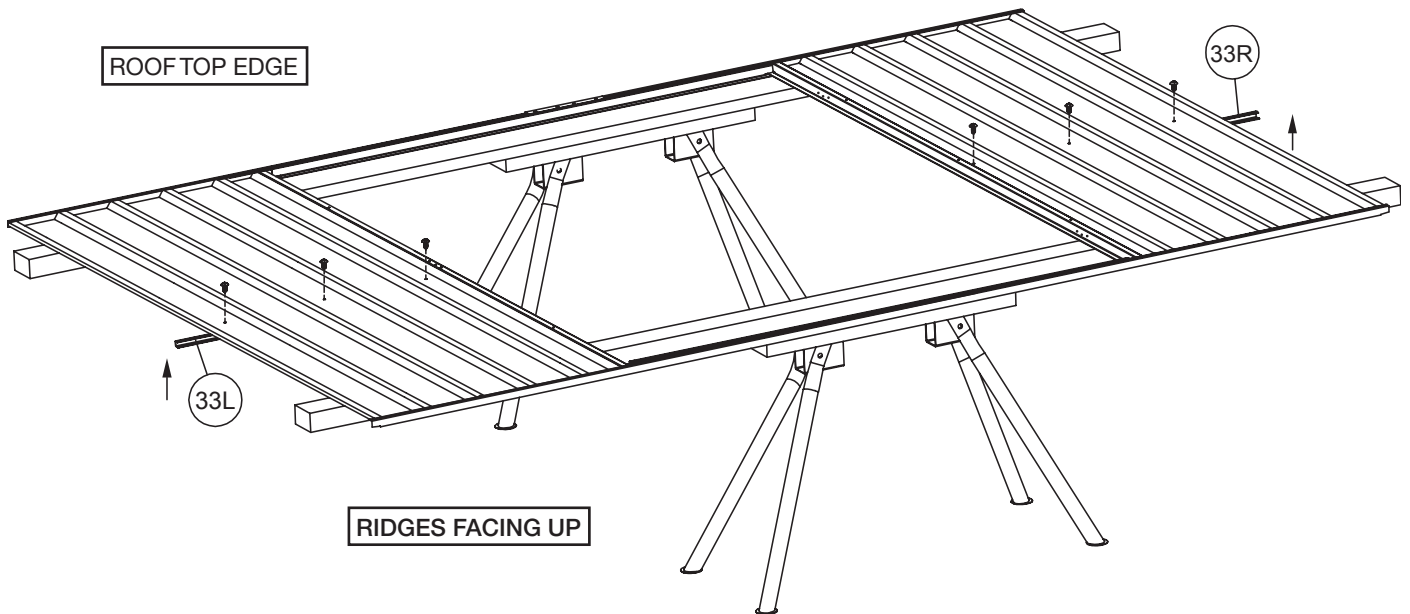


Fix parts 27P, 27N (top channels), 43 (jamb), 27L, 27M, and part 28 (bottom channels) with self-tapping screws. Make sure the small lip on the channels is always facing out. This ensures rainwater cannot build up inside your shed. Enhance the top channels by applying part 66 (channel connector).



**Step 5:** Assemble the front wall panels (continued)

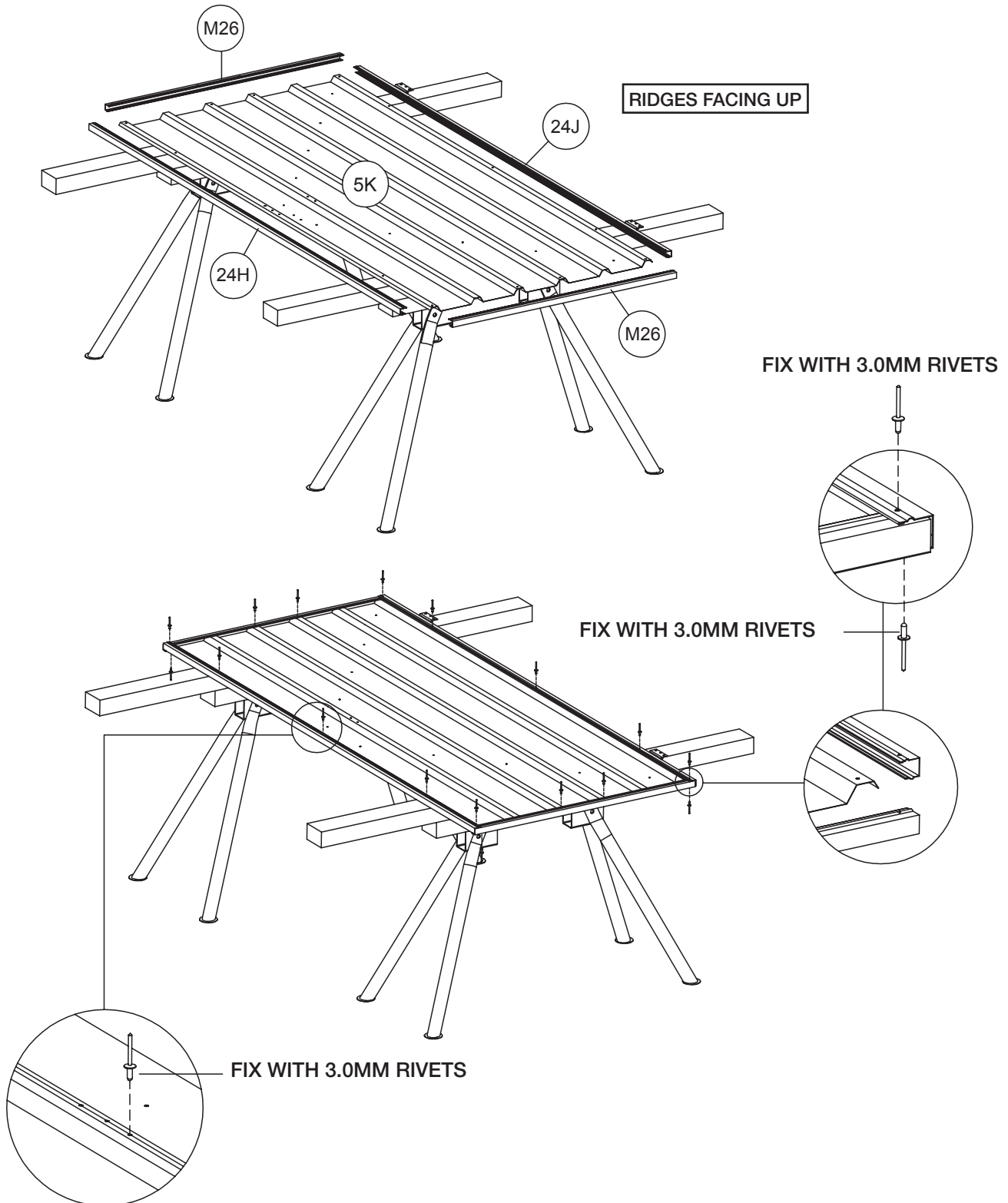
Now fix parts 33R and 33L (mid wall channels) to the sheeting with self-tapping screws. Make sure the small lip on the channel is always facing out. This ensures rainwater cannot build up inside your shed.



# GardenShed 3.0 x 2.3 x 2.4m

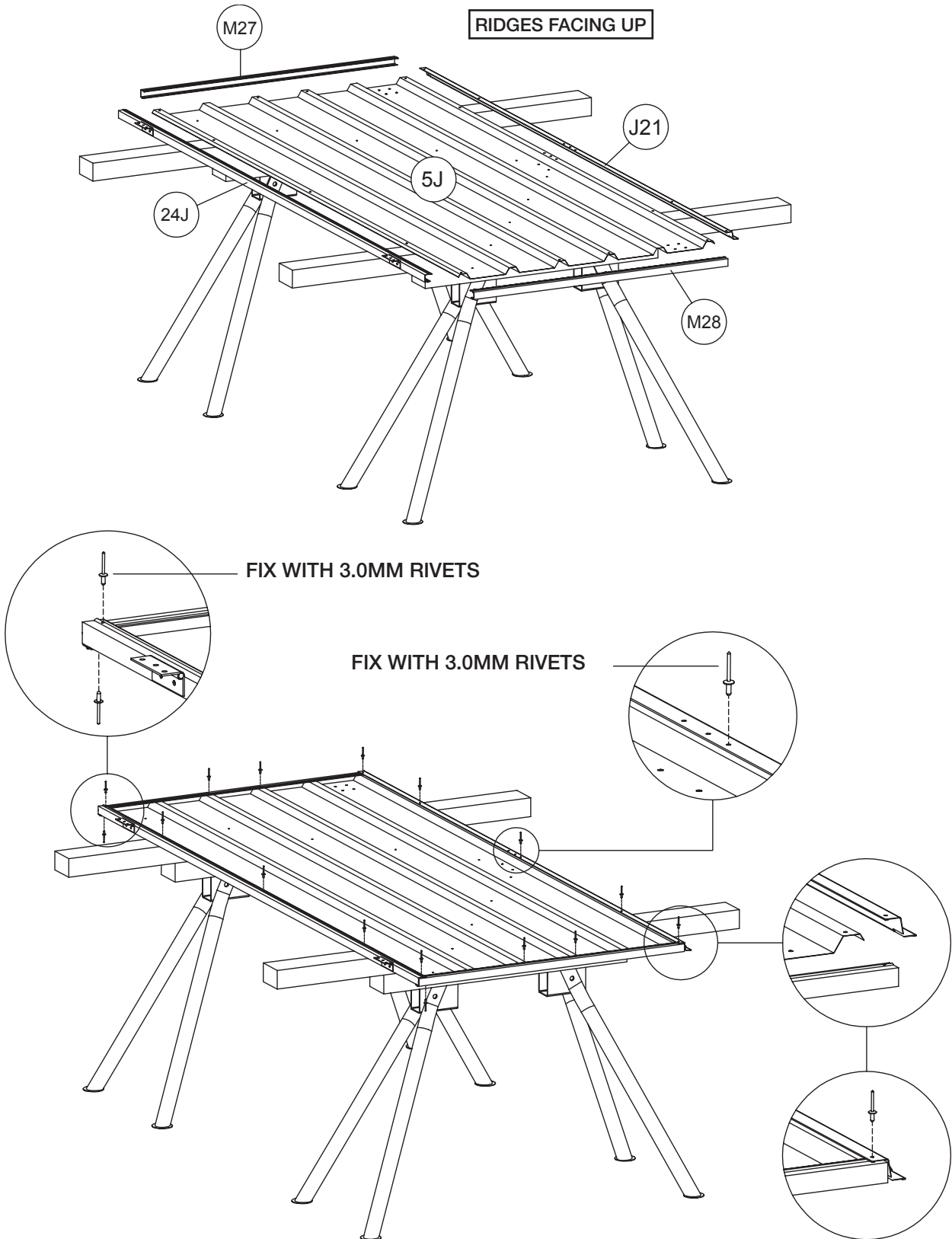
## Step 6: Assemble the front doors

Place part 5K (door sheet) on the worktable. Fit 2 x parts M26, 24J, 24H (channels) to the door and fix them with 3.0 x 10mm rivets. Make sure the small lip on the channel is always facing out. This ensures rainwater cannot build up inside your shed.



**Step 6:** Assemble the front doors (continued)

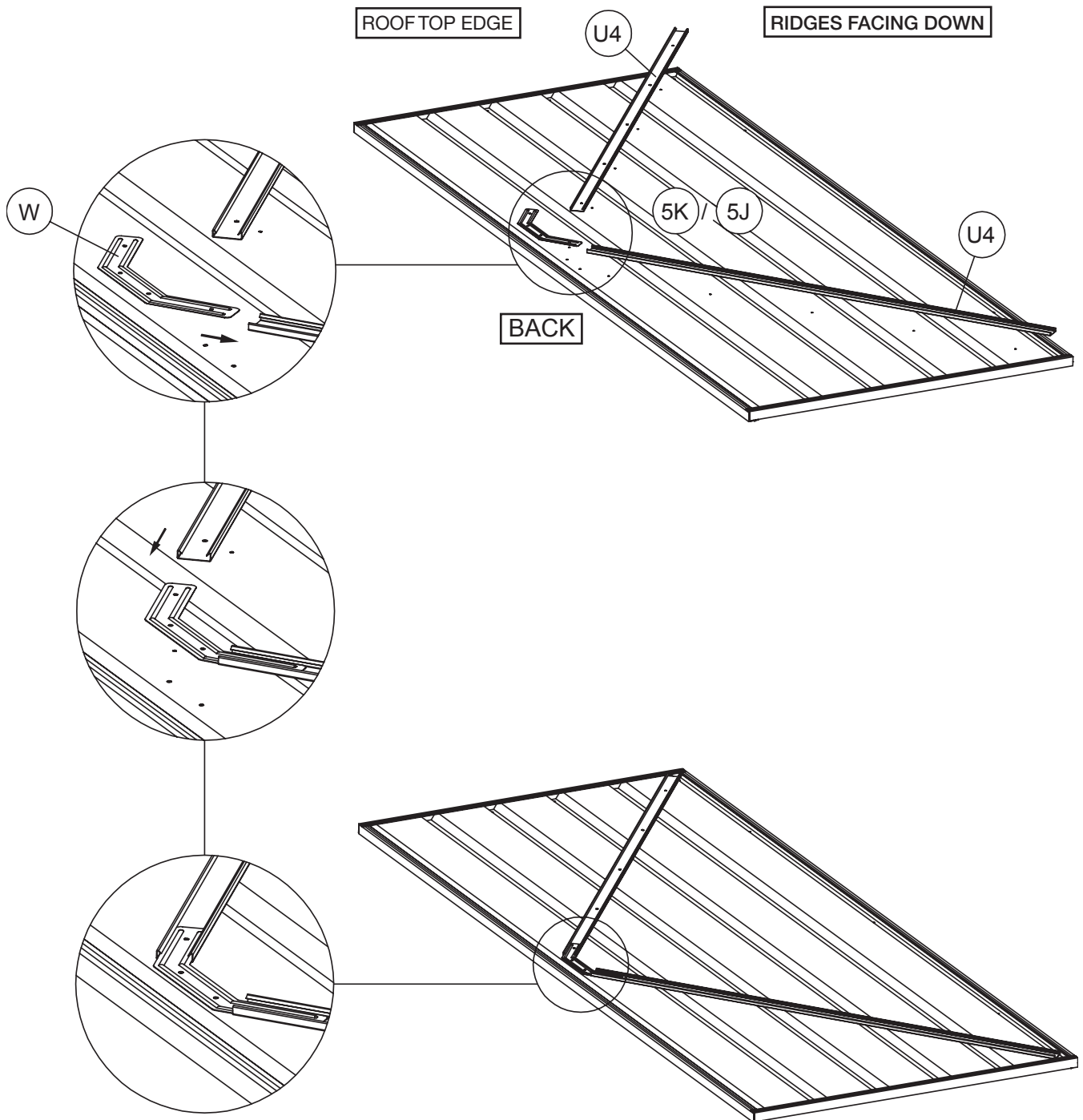
Place part 5J (door sheet) on the worktable. Fit parts M27, M28, 24J (channels), part J21 (jamb) to the door and fix them with 3.0 x 10mm rivets. Make sure the small lip on the channel is always facing out. This ensures rainwater cannot build up inside your shed.



# GardenShed 3.0 x 2.3 x 2.4m

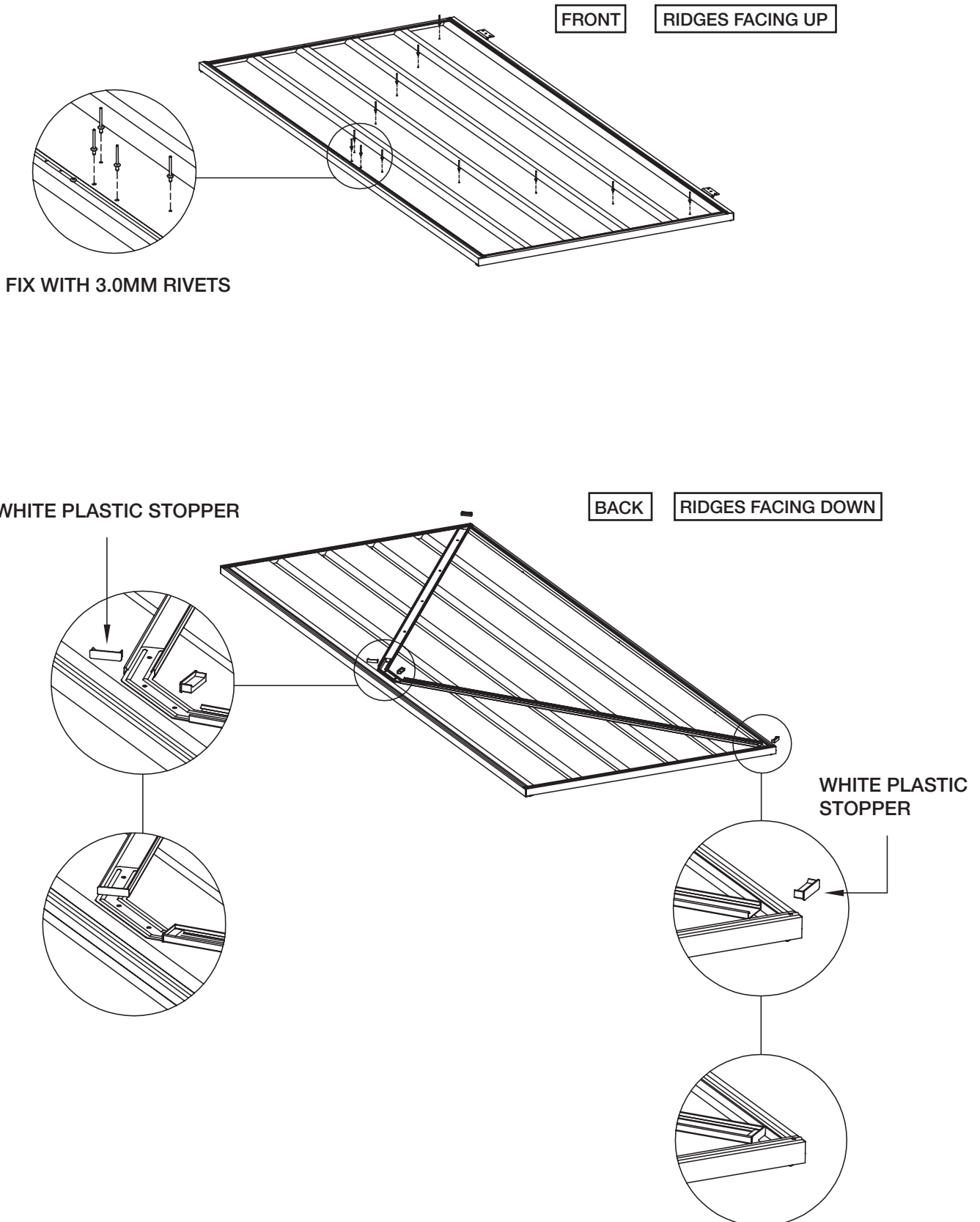
## Step 6: Assemble the front doors (continued)

Once channels are fitted to both doors, align 2 x part U4 (brace) and part W (joining brace) with holes on the back of the door and position temporarily with some tape or simply hold in place.



**Step 6:** Assemble the front doors (continued)

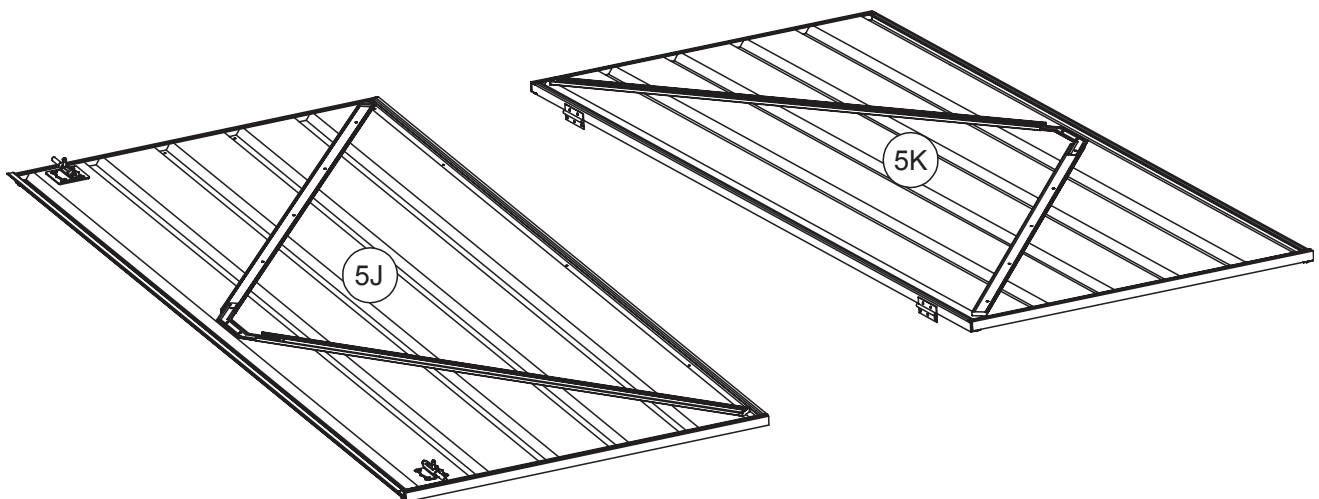
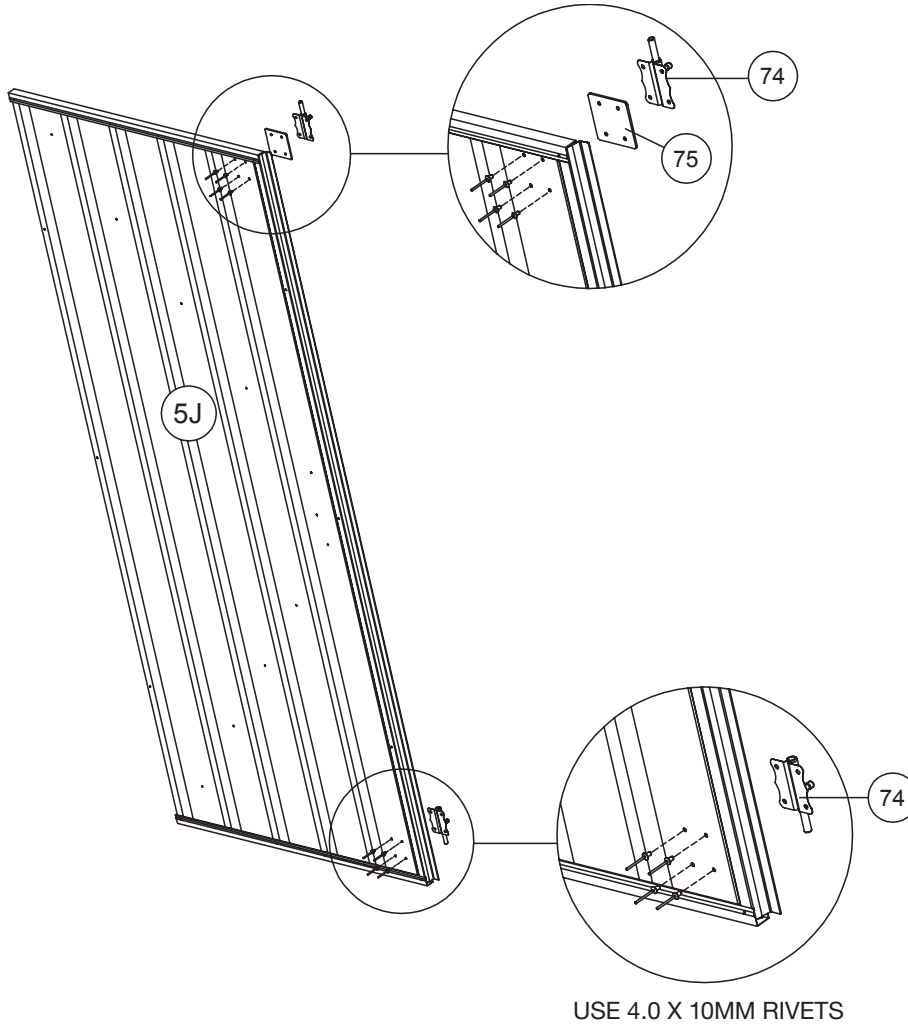
Turn door over with bracing aligned with holes (make sure the ridges of the door are facing up) and fix the bracing with the provided 3.0 x 10mm rivets through the front of the panel. Then turn door over and insert plastic stoppers at the ends of braces as shown below.



# GardenShed 3.0 x 2.3 x 2.4m

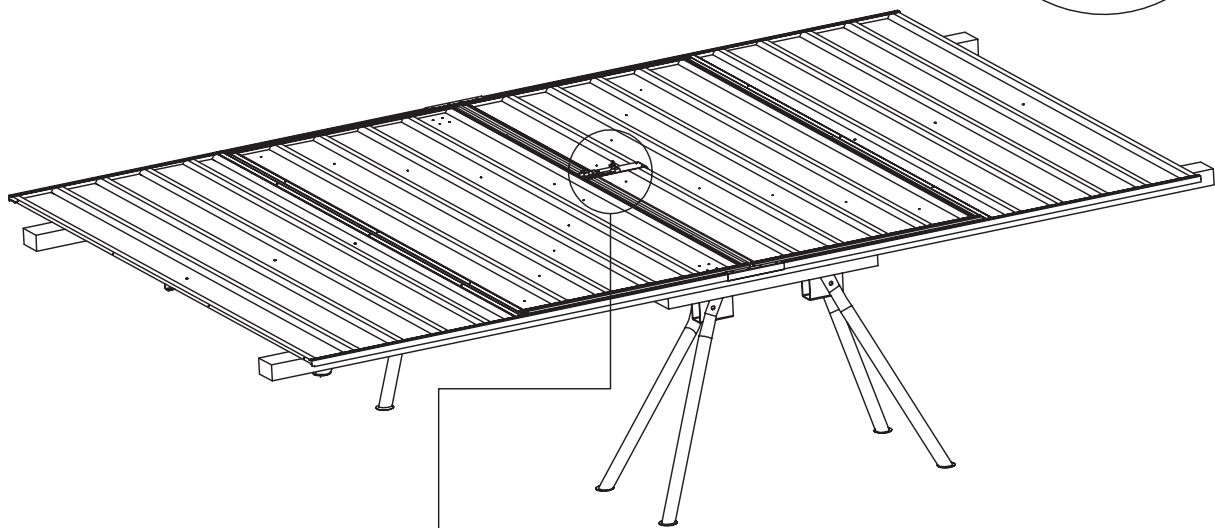
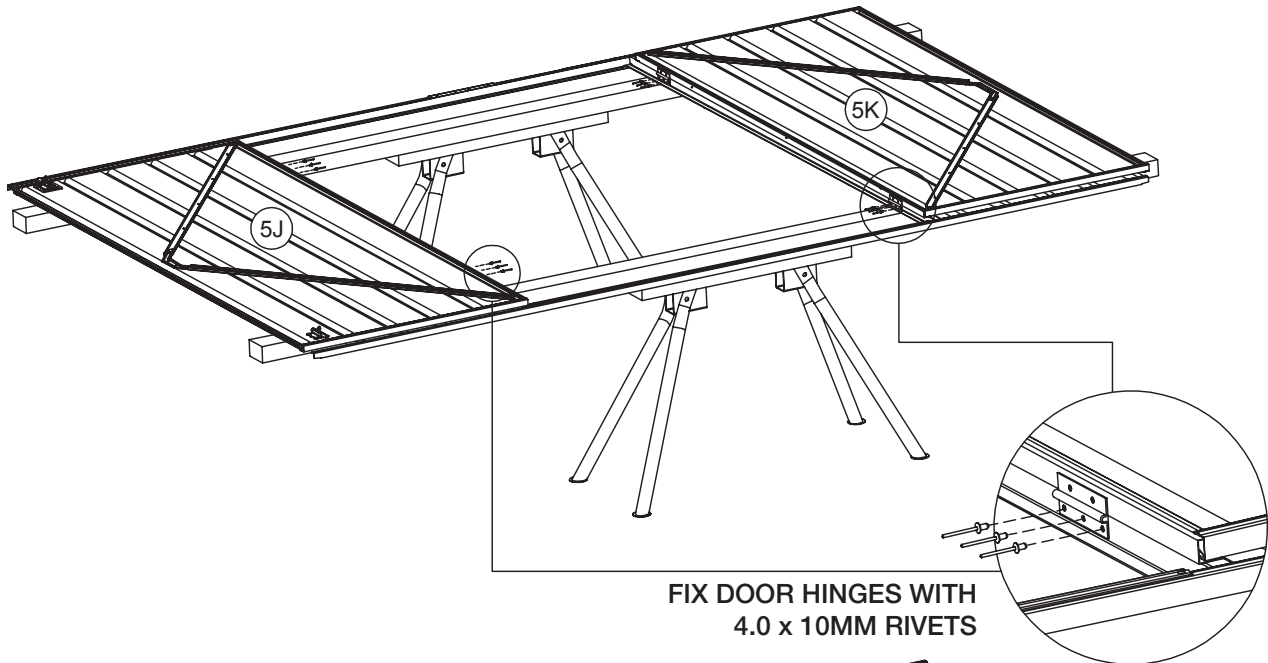
## Step 6: Assemble the front doors (continued)

Fix parts 74 (barrel bolt) and 75 (plate) onto part 5J (door) using rivets. Ensure you rivet through the front panel of the door with the Pad bolt on the inside as per the diagram below.

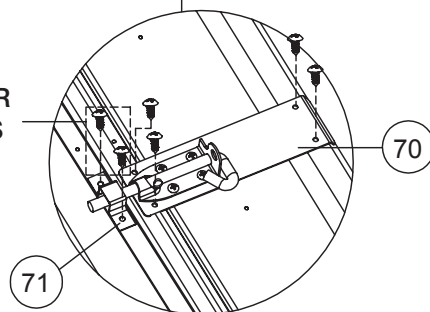


**Step 6:** Assemble the front doors (continued)

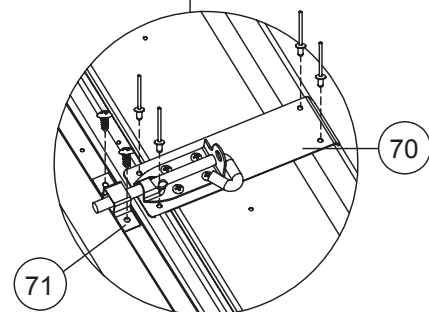
Fit parts 5J and 5K (assembled doors) to the front wall panel as per the diagram below. Use rivet gun to fix the door using the pre-drilled holes. Fix parts 70 (pad bolt) and 71 (keeper) using the pre-drilled holes with the 16mm self-tapping screws (or rivets) provided (see diagram A or B below).



**FIX PAD BOLT KEEPER  
WITH 16MM SCREWS**



**A**



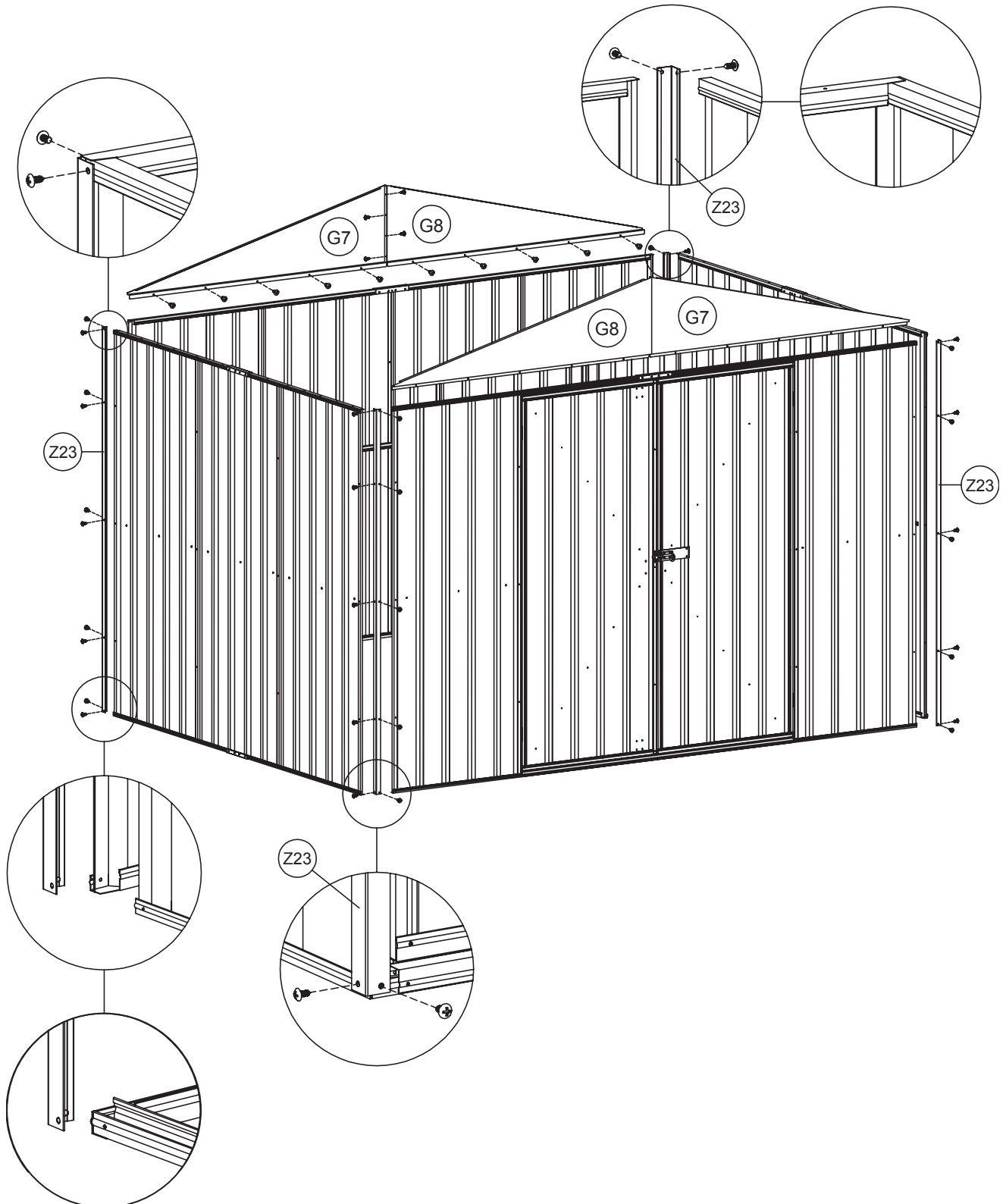
**B**

**FIX PAD BOLT WITH  
3.0 x 10MM RIVETS**

# GardenShed 3.0 x 2.3 x 2.4m

## Step 7: Fit the panels together

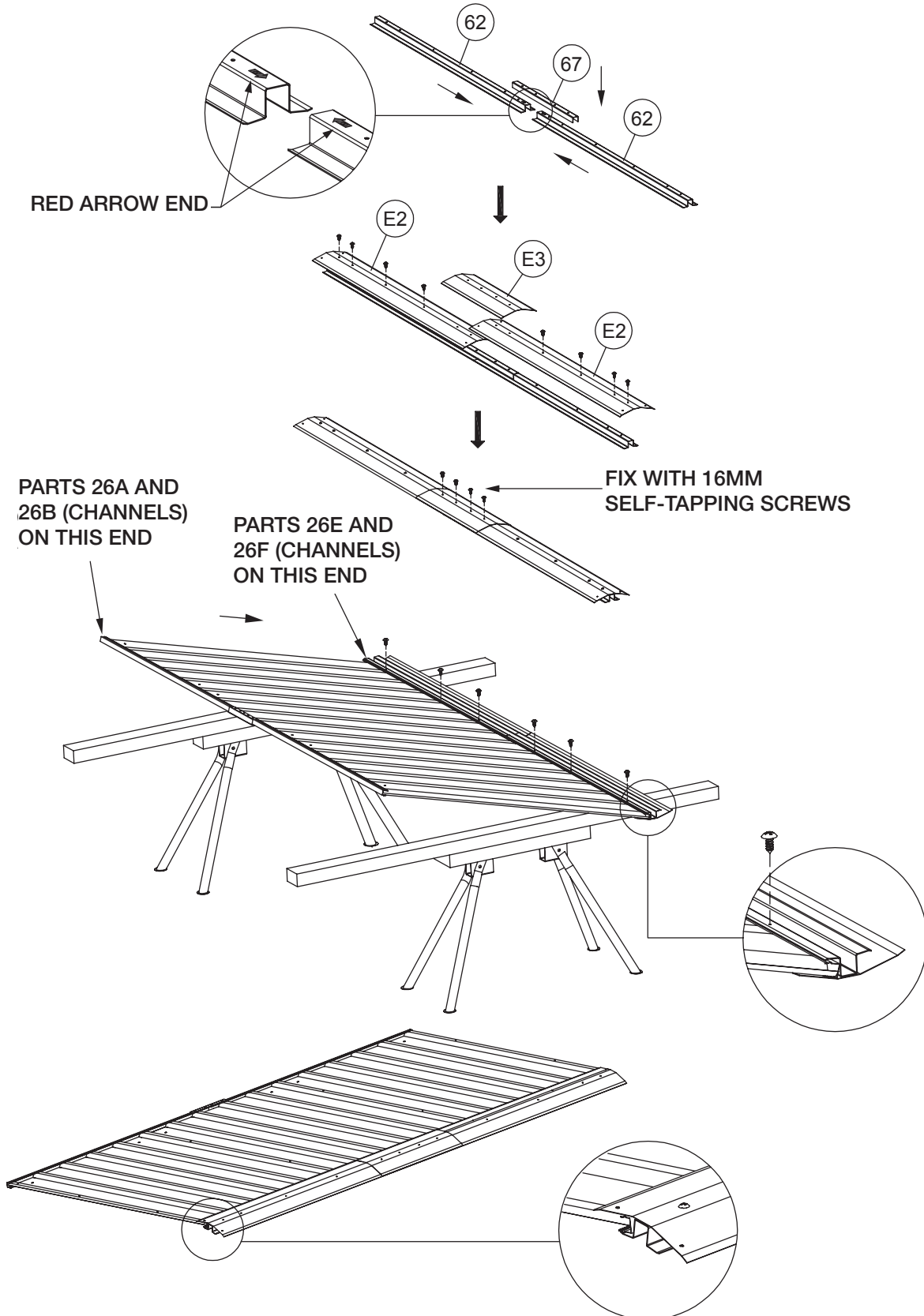
Now fix the front, side and rear panels and 2 x parts G7, 2 x parts G8 (gable) together using the holes provided and then attach the pad bolt keeper using the self-tapping screws. Also attach part Z23 (corner brace) to each corner using the provided self-tapping screws.





**Step 7:** Fit the panels together (continued)

Join part 62 (ridge beams) with the end marked with red arrow using part 67 (ridge beam connector). Put on part E2 (gable cap) and join them using part E3 (gable cap connector). Fix this structure using the provided 16mm self-tapping screws. Fix this structure using the provided 16mm self-tapping screws.



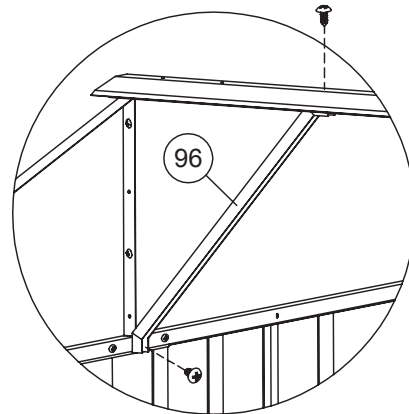
Slide the side of the roof panel with channels 26E and 26F into the ridge beam.

# GardenShed 3.0 x 2.3 x 2.4m

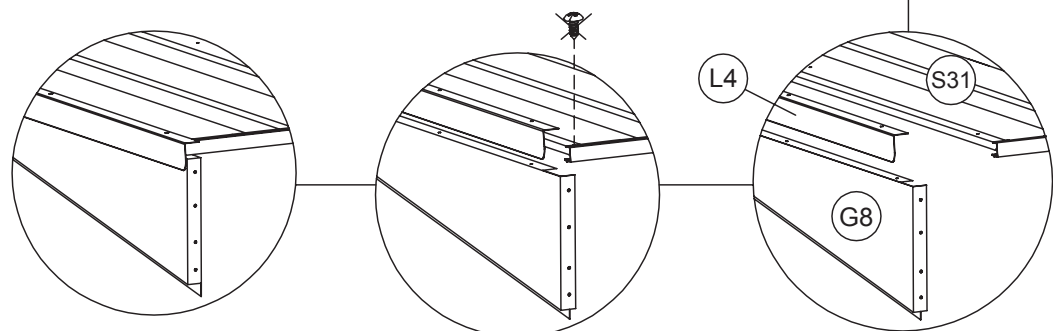
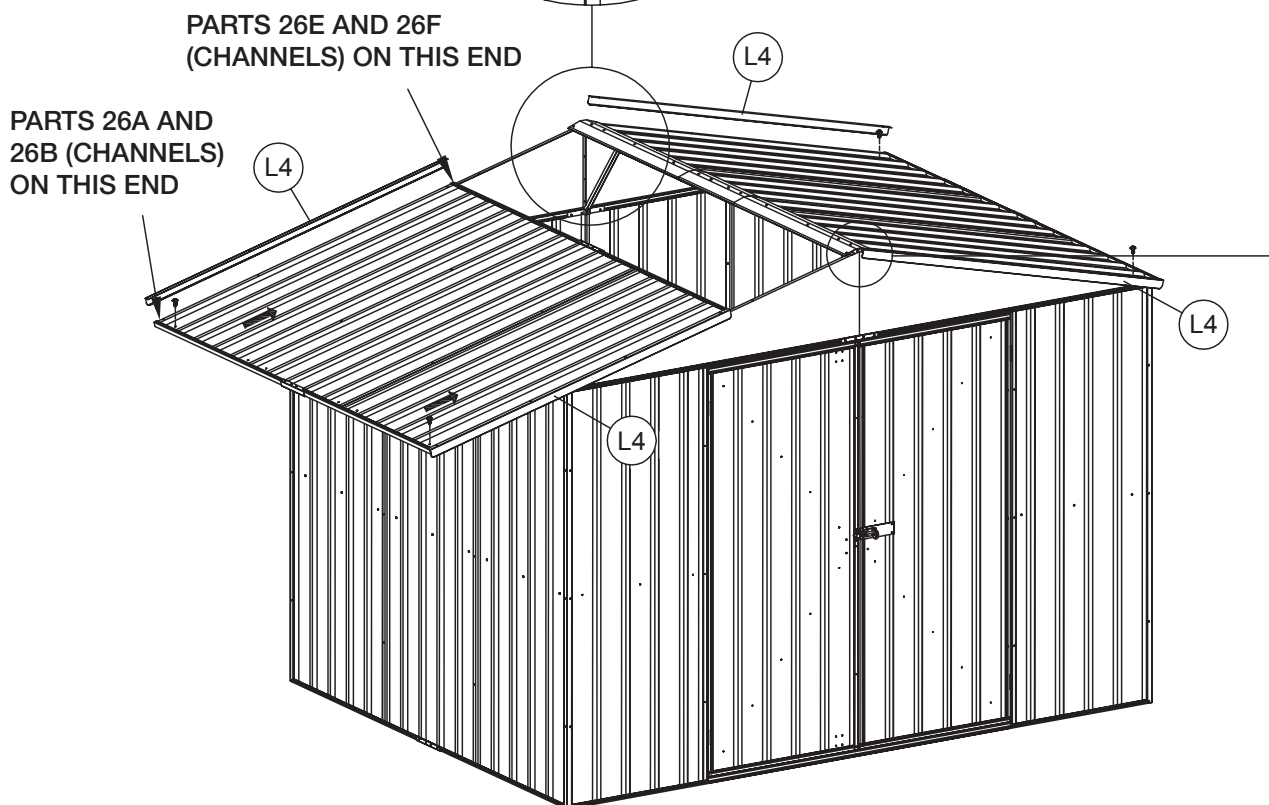
## Step 7: Fit the panels together (continued)

Repeat the same step for the other assembled roof panel. Drill holes for roof brace using 3mm drill bit. Then fix the roof brace as per diagram below. Join the sheeting and the gable using part L4 (lip) and then fix the 4 corners using 16mm self-tapping screws.

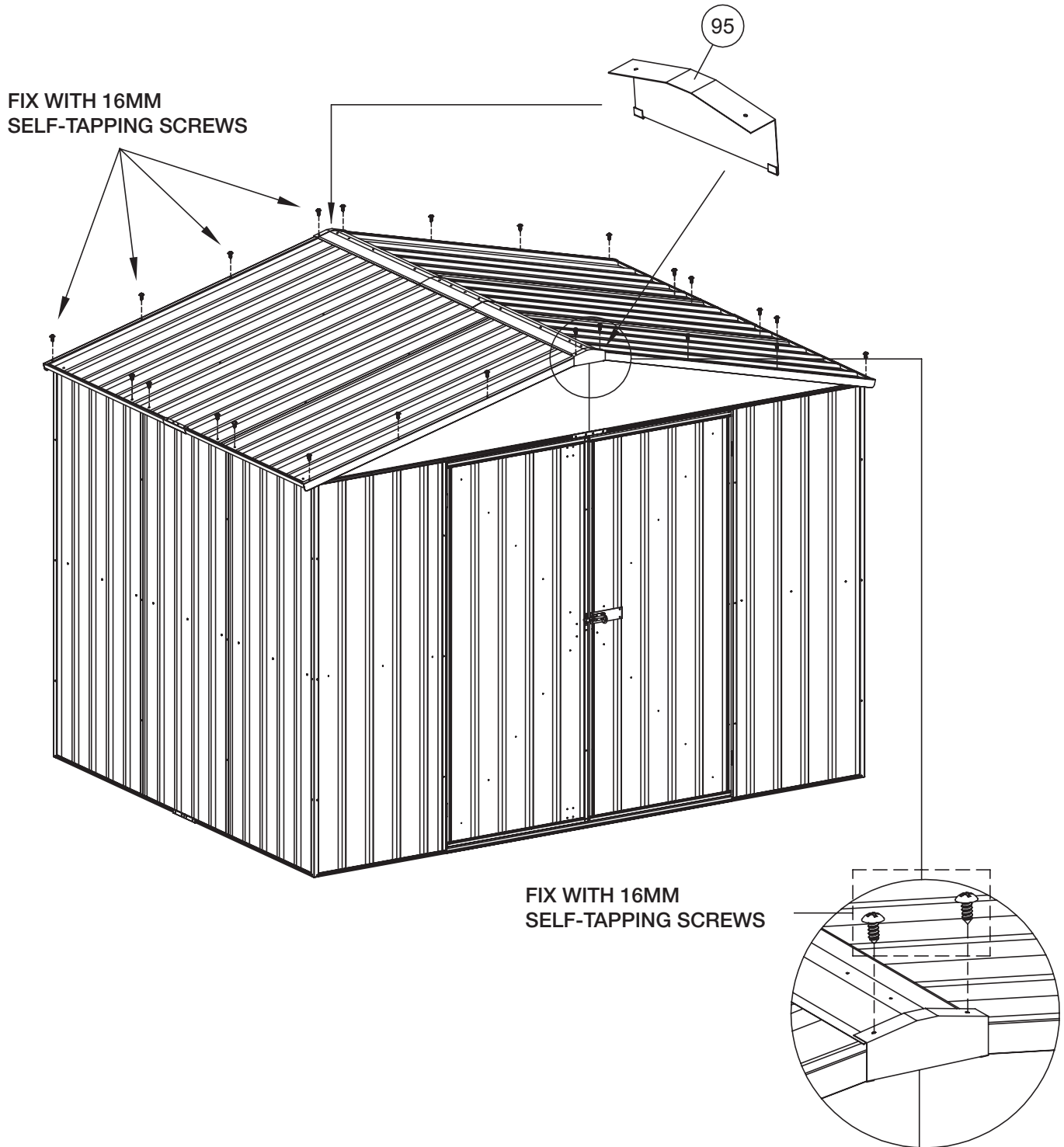
**Note:** Do not fix central screws marked with a cross at this stage).



After attaching both roof panels to the walls, Drill holes through the roof brace using a 3mm drill bit and fix brace to the ridge beam and channel above doors as per the diagram on the left. Repeat this step for the rear wall roof brace.

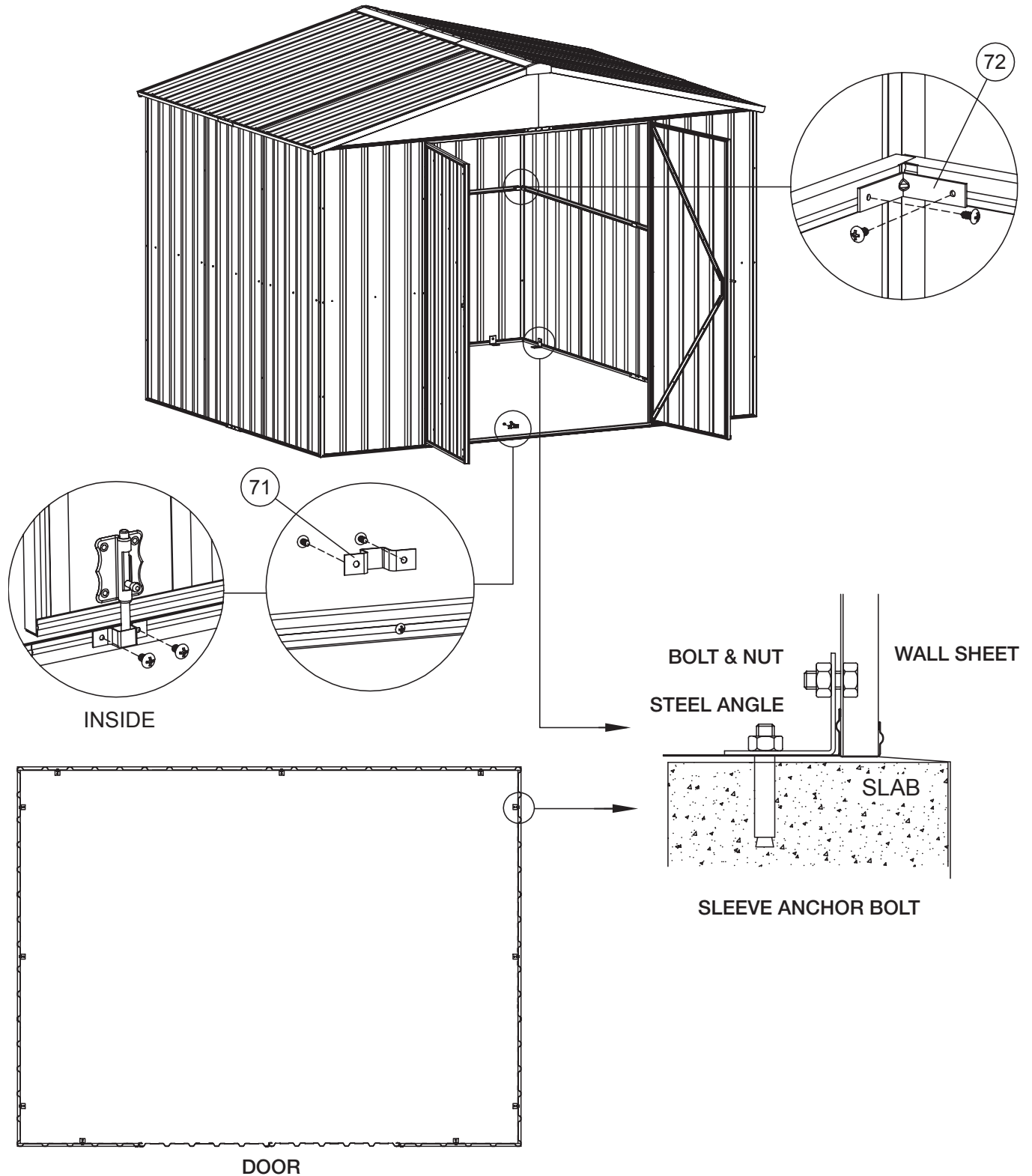


Attach 2 x part 95 (logo cap) and fix the roof panels using 16mm self-tapping screws as per diagram below.

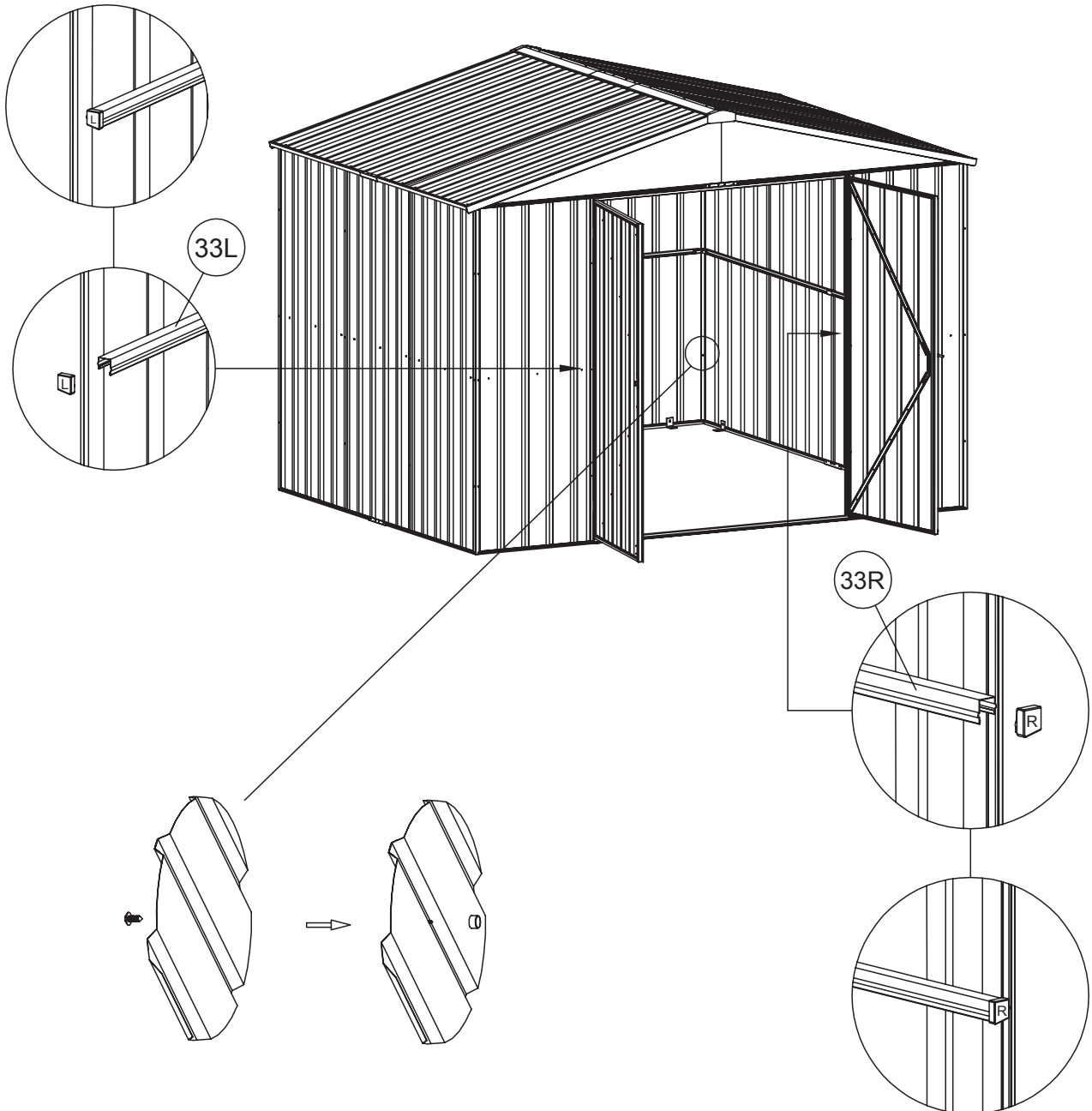


# GardenShed 3.0 x 2.3 x 2.4m

Now fit the bolt down kit as per the below diagram. Strengthen your mid wall brace by applying part 72 (mid wall brace bracket) to each corner if necessary. Fix part 71 (keeper) and align with barrel bolt on the inside of the door.



Apply channel safety cover L type to channel 33L and R type to channel 33R for safety. Also apply the self-tapper covers to screw ends visible in walls on the inside of the shed.



# GardenShed 3.0 x 2.3 x 2.4m

## Warranty statement:

This warranty against defects is given by:

Pinnacle Hardware.

Business Address: 28 Hudson Court, Keysborough VIC 3173

Ph: 1800 349 776

Email: support@pinnacle.net.au

## New Zealand customers please contact:

HARCO (Harkness & Young Ltd)

Ph: 09 276 4071

Email: sales@harknessyoung.co.nz

## Details of Manufacturer's Warranty

This product comes with a 15 year limited structural warranty ("the Warranty Period") from the date of purchase. This warranty also applies where there are missing or damaged parts identified in the parts list referred to in the instruction kit within the product packaging.

Please ensure that you keep this warranty form in a safe place along with your proof of purchase.

Product: .....

Place of purchase & Postcode: .....

Date of Purchase: ..... /..... /.....

The benefits of this warranty are in addition to your rights under the Australian Consumer Law (ACL) and in particular, the guarantees implied under the ACL and any other rights and remedies of the consumer under a similar law in relation to the goods and services to which this warranty relates.

## Process of claiming warranty:

To make a claim under the warranty within the warranty period, you will need to contact the manufacturer directly by phone or email:

Claims Department contact number: 1800 349 776

Claims Department email: support@pinnacle.net.au

You will be required to produce proof of purchase (this is at discretion of the manufacturer) at the time of the claim.

The manufacturer bears the cost of replacing the products or spare parts or repairing the products and reasonable direct expenses of claiming under this warranty:

– Where parts are replaced, the manufacturer will bear the cost of sending the spare part and will endeavour to deliver it to the customer's nearest reseller within 10 working days for the customer to pick up. At such time the customer may be required to return the alleged faulty parts.

– Where assessment is required in case of replacing or repairing the product, the manufacturer will appoint an assessor within 10 working days to identify the alleged defect. The manufacturer will bear the repair costs by appointing a local tradesman. The manufacturer may choose to replace the product if the repair or the cost of repair is not feasible. The replacement product will be available for collection from the nearest reseller within 10 working days. The customer will bear the cost of assembly for the replacement product.

## **IMPORTANT**

### **1. Manufacturer's Disclosure**

This warranty against defects shall not apply in the following situations:

- A) Where the product is not assembled in accordance with the instructions provided in the product kit.
- B) Where the product is used to store corrosive materials such as fertilizer, chlorine etc;
- C) Where the damage to the product is caused by storms.

### **2. Notes**

This product is weatherproof to a certain level; however driving windy rain may cause the product to leak. Condensation may also occur in some weather conditions such as extreme heat or cold. The product should only be used for storing items such as gardening equipment and should not be used for articles that may be prone to damage if they come into contact with moisture.

We strongly recommend you use a waterproof sealant to fill any gaps or joins in order to minimise the risk of water entering.

### **3. Major Defects**

If the manufacturer is satisfied that the defect is a major defect, the purchase price may be refunded in lieu of providing a replacement product or repairing the product.

Our goods come with guarantees that cannot be excluded under the Australian Consumer Law. You are entitled to a replacement or refund for a major failure and for compensation for any other reasonably foreseeable loss or damage. You are also entitled to have the goods repaired or replaced if the goods fail to be of acceptable quality and the failure does not amount to a major failure.