

Euro Corner Entry

Shower Screen

Installation Instructions

Corner Entry
Space Saving
Design

Dual Sliding
Doors, magnetic
seals

Silver Frame

6mm Clear Safety
Glass

Can be installed
on shower base
or tiled floor



Available to suit the following base size

Screen Height 2000mm

To suit 900 x 900mm Base
Front width adjusts: 850 – 870mm
Return width adjusts: 850 – 870mm
Screen height: 2000mm
I/N: 4890310

To suit 1000 x 1000mm Base
Front width adjusts: 950 – 970mm
Return width adjusts: 950 – 970mm
Screen height: 2000mm
I/N: 4890583

IMPORTANT TO READ BEFORE INSTALLING

Please inspect this product for damage, manufacturing fault or missing parts prior to commencing the process of installation, no warranty will be applied after installation has begun.

Prior to installation, please ensure there are no pipes or cables hidden in the wall where you intend to drill.

All of our Shower Screens must be handled with extreme care as glass is fragile and can shatter if handled incorrectly. Glass is not covered by warranty. You will notice through-out the installation process that the corners of any glass that is frameless or semi frameless have a protective cover. Please try to leave these protective covers on any panels that have them until after you have moved panels into position.

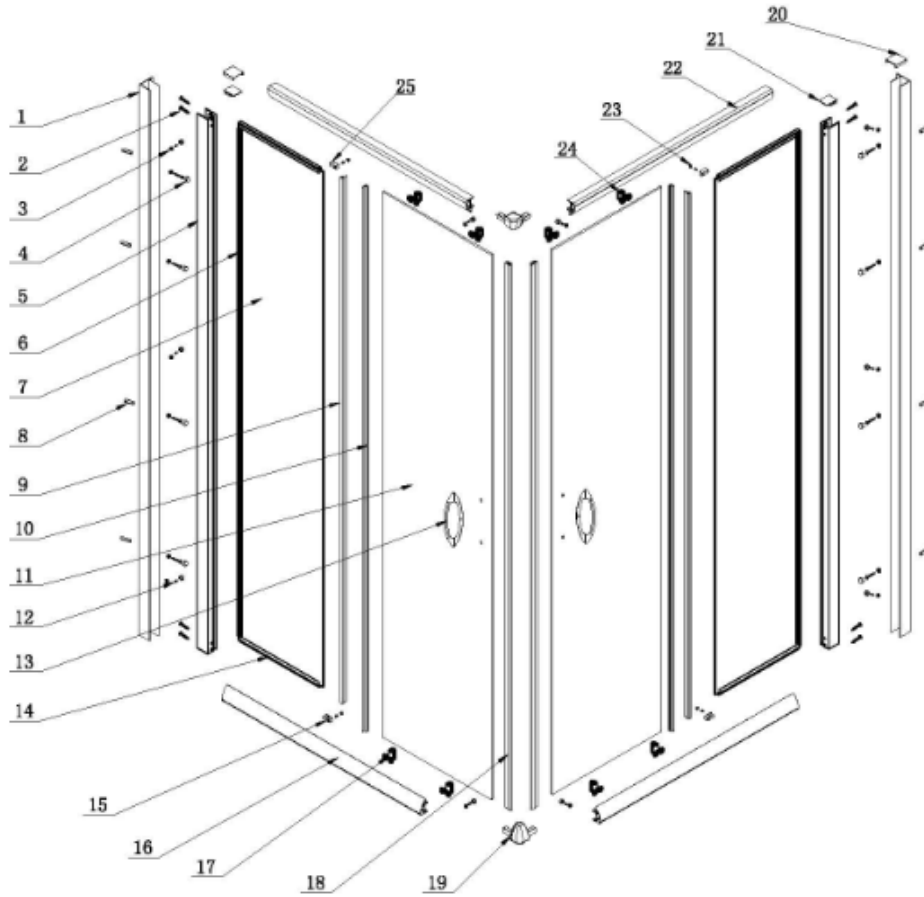
Throughout the entire installation process please ensure that the washers and grommets supplied are inserted correctly so that metal and glass do not make contact. Failure to do so will void warranty and may cause glass to break.

Flat packed DIY shower screens are heavy and may require two people to install.

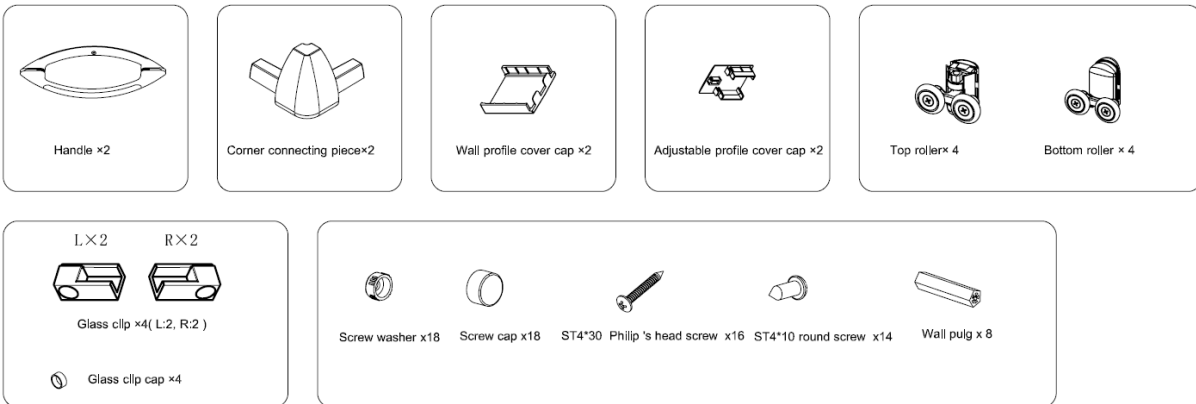
Please refer to the supplied installation instructions to guide you through the installation process. Before you commence installation, refer to the Components List within the instructions along with the list of tools required to execute the installation.

We highly recommend that you cover the shower base area with a protective cloth through-out the installation process to avoid damage to your shower base.

Components List



No.	Description	QTY	No.	Description	QTY
1	Wall Profile	2	14	Fixed Panel Water Seal	4 Installed onto Fixed Panels
2	ST4*30 Screw	16	15	Glass Clip R	2
3	Screw Washers	18	16	Bottom Track	2
4	Screw Cover Caps	18	17	Spring Loaded Bottom Roller	4
5	Adjust Profile	2 Installed onto Fixed Panels	18	Magnetic Seal	2 Installed onto doors
6	Plastic Strip	2 Installed onto Fixed Panels	19	Corner Connecting Piece	2
7	Fixed Panel	2	20	Wall Profile Cover Cap	2
8	Wall Plug	8	21	Adjust Profile Cover Cap	2
9	Long Model Water Seal	2	22	Top Track	2
10	Short Model Water Seal	2	23	Glass Clip Cap	4
11	Glass Door	2	24	Adjustable Top Roller	4
12	ST4*10 Screw	14	25	Glass Clip L	2
13	Handle	2	26	Vaseline for rollers	1



Tools Required

- Level
- Drill
- Mallet
- Silicone
- Silicone gun
- Pencil
- Screw driver
- Tape measure
- Chisel
- Stanley Knife
- Drill bit 3.2mm & 6mm

Step 1 Level and Measure

- a) Place cloth down to protect base
- b) Ensure that installation occurs with a level base or shower area.
- c) Measure your Base or Shower area. Check minimum and Maximum Measurements ensuring that the screen will fit the desired area. The outside measurement should be within the Min & Max area of the screen size.

NOTE: When using minimum measurement, make sure you allow for walls that are out of plumb. If your walls are leaning forward by 10mm, you must reduce your screen size area by this amount.

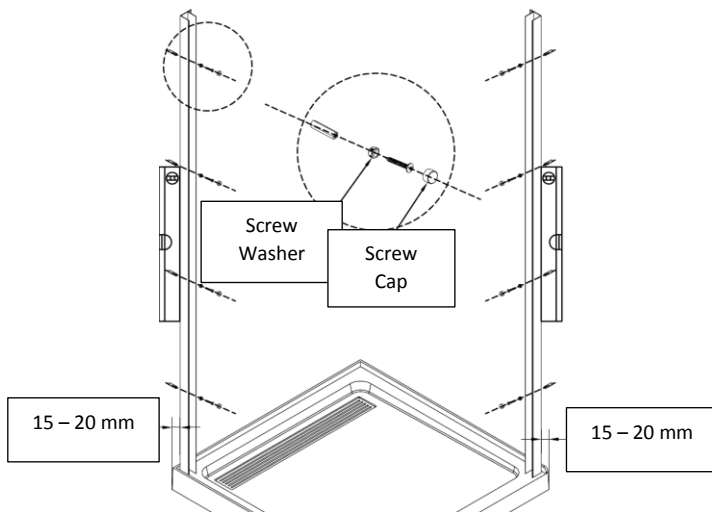
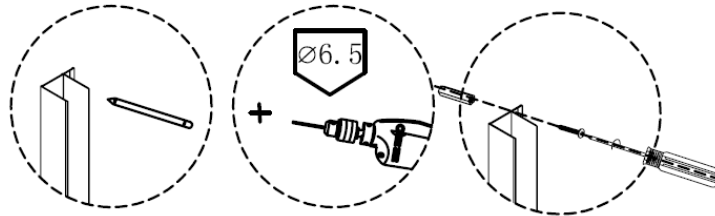
List Min and max Measurements

900 x 900 Screen Min 850mm Max 870mm

1000 x 1000 Screen Min 950mm max 970mm

Step 2 Mark and Drill

- With a level, position **Wall profile (Part 1)** against wall vertically at desired measurement, within min and max measured area.
- With a pencil, mark the pre drilled holes inside of the level **Wall Profile (Part1)**. Remove wall profile and drill a 6mm hole with drill bit. Insert Wall plugs provided.
- With **Screw (ST4*30)** fix **wall profile (part 1)** to wall ensuring wall profile is level and fixed tightly.

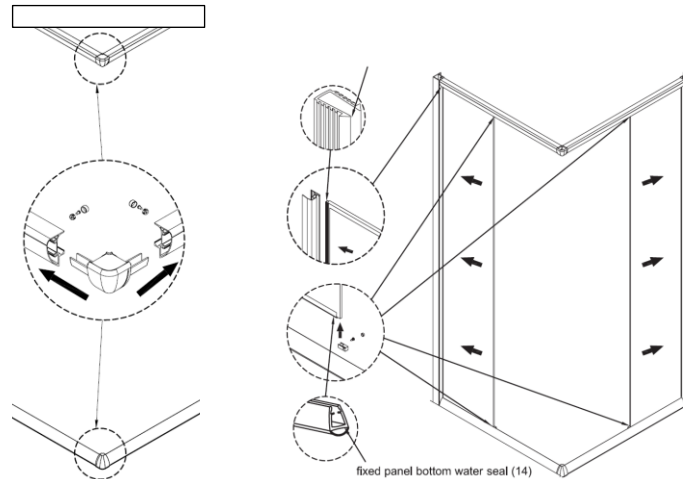


Note: Wall jamb must be Plumb / Level and set in side of tile flange of base or within min and max measurements. Use correct or most suitable fixings for the surface area you are fixing to.

Step 3 Assembling Panels

- Apply **Fixed panel water seal (part 14)** to the top and bottom of both fixed panels
- Connect **Top track (part 22)** to the **Fixed panel (Part 7)** with Screws Provided (**Part 2 ST4*30 screw**)
- Turn the **Fixed panel (part 7)** upside down and connect **bottom track (Part 16)**
- Insert assembled fixed panel in to **the wall profiles (P1)**. Do not fix yet, adjustment may be needed.
- Repeat process with second fixed panel.
- Insert **Glass clip (Part 15)** to top and bottom of **fixed panels (part 7)** on both sides.
- Fix **glass clips (part 15)** to top and bottom rails and fit cover caps provided. Locking glass to bottom and top tracks.

- h) Fix the **Corner connecting piece (Part 19)**, joining both **top tracks (Part 22)** and joining both **bottom tracks (P16)** using screws provided (use the **smallest screws supplied St4*8 x 2**)

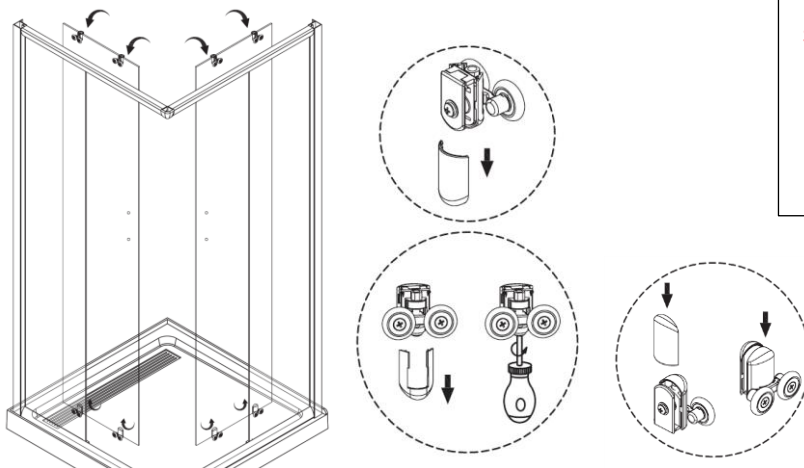


Step 4 Assembly of Door Rollers (Note: You must work out which is top & bottom of both Door panels before applying rollers)

- Connect the adjustable **Top rollers (part 24)** in to the holes on top of **Glass door (part 11)**
- Install the spring loaded **Bottom rollers (part 17)** into the holes on bottom of **Glass door (part 11)**.

Note: Ensure that the plastic washers are inserted correctly avoiding metal and glass making contact. Failure to do so will void your warranty and may cause glass to break.

- Hang the **Top rollers (part 24)** on the **Top track (part 22)** internal of screen and depress the spring loaded **bottom rollers (part 17)** under the **bottom track (part 16)**.
- Repeat above steps 4a - 4c for the second door



Note: To adjust door; remove roller cover & use Phillips head screw driver. Turn visible screw left or right on top roller allowing the door to lift or lower. Ensure both door hinges are aligned.

When one of the rollers is adjusted to its max & door still doesn't close squarely, stop adjusting roller to avoid damage and begin to adjust other rollers.

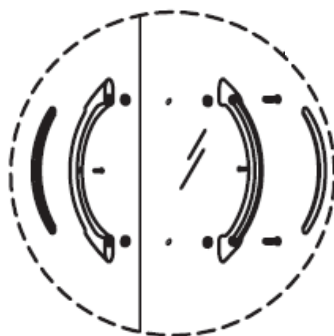
Step 5 Attaching water seals

- a) With hand pressure, Press on **Long model water seals (part 9)** onto both Glass fixed panels (Part 7).
- b) With hand pressure Press on **Short model water seals (Part 10)** onto the rear of both Glass doors (Part 11).

Step 6 Attaching Handles

- a) Separate cover plate from **handle (part 13)** using supplied Allan Key
- b) Insert the supplied screws to handle, place Plastic washer on glass,
- c) Place **Handle (part 13)** with screw on Plastic washer and glass,
- d) Screw to the opposing handle with Plastic washer on glass.
- e) Re attach the cover plate to handle using supplied Allan Key
- f) Repeat above steps for the second handle

Note: Ensure that the plastic washers are inserted correctly avoiding metal and glass making contact. Failure to do so will void your warranty and may cause glass to break.



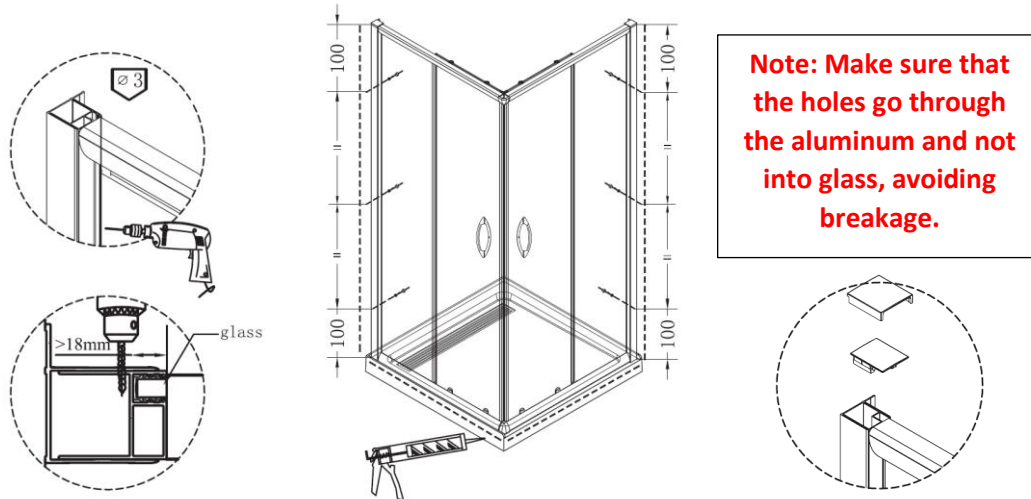
Step 7 Adjustment

Re-check levels and adjust screen accordingly. Move panels in or out to suit your shower base or shower area, ensuring all sides are level and straight.

Step 8 Fixing off and Sealing

- a) When screen is level and square, Fix off the extrusions of **fixed panels (part 7)** to the **wall profiles (Part 1)** by drilling 4 equally spaced 3.3mm holes on the inside of screen using **ST4*10 round screw** supplied.
- b) Attach **Wall profile cover strip (Part 27)** to the internal side of **Wall profile (Part 3)** using hand pressure

- c) Attach Part 21 & 22 Wall Profile and Adjust Profile Cover caps to top of the profiles
- d) Attach all Part 4 Screw Cover Caps over screws



- e) Using recommended bathroom purpose silicone. Apply a fine bead of silicone vertically and horizontally on the outside perimeter of screen only, sealing your shower screen. This will prevent water from leaking out of screen and will allow water to effectively drain back towards outlet. Do not use shower for 24 hours allowing for silicone to set.

Do not use silicone internal of screen. Doing so will void warranty.

Rick McLean's Designer Shower Screens (Aust) Pty Ltd

Trading as Rick McLean's Designer Bathware

WARRANTY

- Measured & Installed Products

Rick McLean's Designer Bathware will provide a 2 year Service Warranty on installation and componentry of measured & fitted Shower Screens, Mirrors & Sliding Robe Doors. Cracked, smashed or broken Glass, Splashbacks and Mirrors are NOT included. Warranty does not cover glass. Replacement glass is covered by the customer's house & contents insurance policy (if applicable) or at the customer's own expense.

- Supply Only Products

Rick McLean's Designer Bathware will provide a 2 year Warranty on our supply only products. Warranty does not cover glass. Replacement glass is covered by the customer's house & contents insurance policy (if applicable) or at the customer's own expense.

Rick McLean's Designer Bathware will supply a replacement product where faulty manufacture or faulty materials exists, only in accordance with correct installation procedure.

This warranty DOES NOT apply to other defects which may have arisen as a result of; accidental damage, misuse, abuse, maltreatment, wear & tear, incomplete return, abnormal stress or neglect of any kind.

This warranty DOES NOT include REMOVAL AND/OR INSTALLATION COSTS and any other associated expenses incurred, including those costs incurred from third party.

It is the responsibility of the recipient to inspect the product/s once received to ensure no transit damage has occurred, and/or missing parts or manufacturing faults are applicable.

Plumbing and Bathware products must be installed by a licensed plumber. Failure to do so will immediately void warranty.

Failure due to other causes, including the use of other than recommended installation procedures, may also void warranty.

Please ensure that plumbing and bathware products are installed in accordance with local by-laws.

Please ensure glass and fragile products are handled with care. Avoid knocks & shock to all sides of packaging when transporting.

Freestanding Baths are not designed to be installed hard up against bathroom walls. The sides of the baths taper, even if they appear to be straight edged. Installing freestanding baths up against tiled walls or recessing baths into walls and tiling down onto them is at the client's own discretion. This is not in accordance with correct installation procedure and will void warranty.

Sizes, Prices and Stock Availability of products are subject to change without notice.

Warranty does not cover glass.

Broken Glass or missing parts will not be replaced under warranty if the Shower Screen is in the process of being installed.

The safety glass featured in all Shower Screens cannot be cut, trimmed or altered in any way.

Manufactured sizes of Shower Screens, Shower Bases & Baths are nominal. Actual sizes may vary during manufacturing.

- [How to make a claim for Credit or Exchange of Goods for Supply Only Products](#)

Rick McLean's Designer Bathware will credit or exchange goods within 14 working days from time of purchase.

The customer will be deemed to have accepted the goods as being in accordance with its order unless it notifies Rick McLean's Designer Bathware of its claim within 14 days of receipt of the goods.

All returned goods will incur a 25% restocking fee on the total cost of goods.

The following conditions must be met however in order to accept returned goods:

- We have received prior notification by advising our office on 03 9331 6660 or in person
- Original tax invoice must be supplied
- Goods must still be in original condition
- Goods must still be in original packaging
- Customer is responsible for arranging return of goods and all transportation costs involved
- In the circumstance that a credit is issued, we will hold a credit for 30 days

Any goods authorised for return shall be returned at the customer's expense