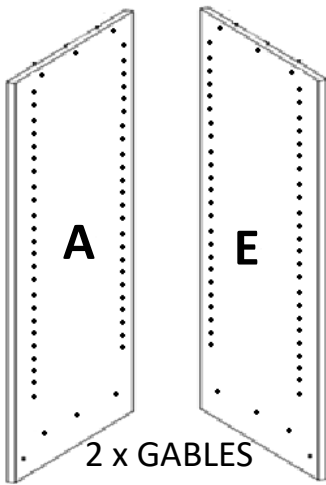




MULTISTORE

ASSEMBLY INSTRUCTION FOR MAXI ULTRA 450

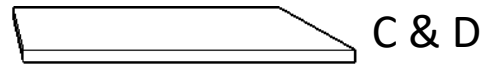


2 x GABLES

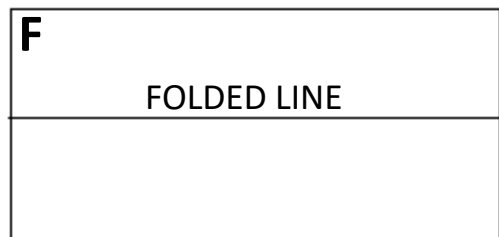
1 x BOTTOM KICK



2 x FIXED SHELVES



1 x FOLDED BACK

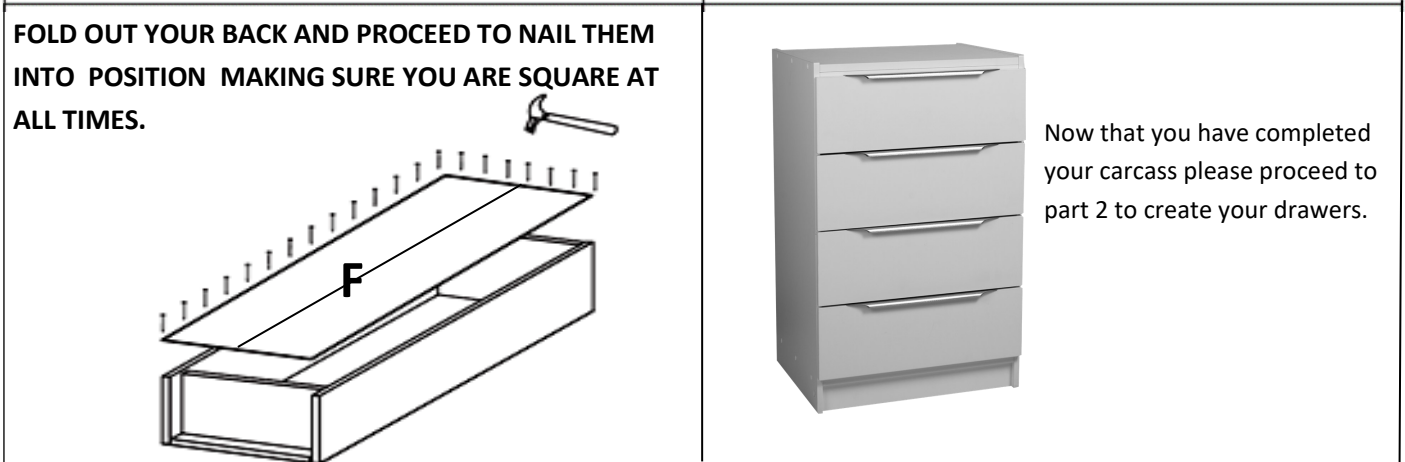
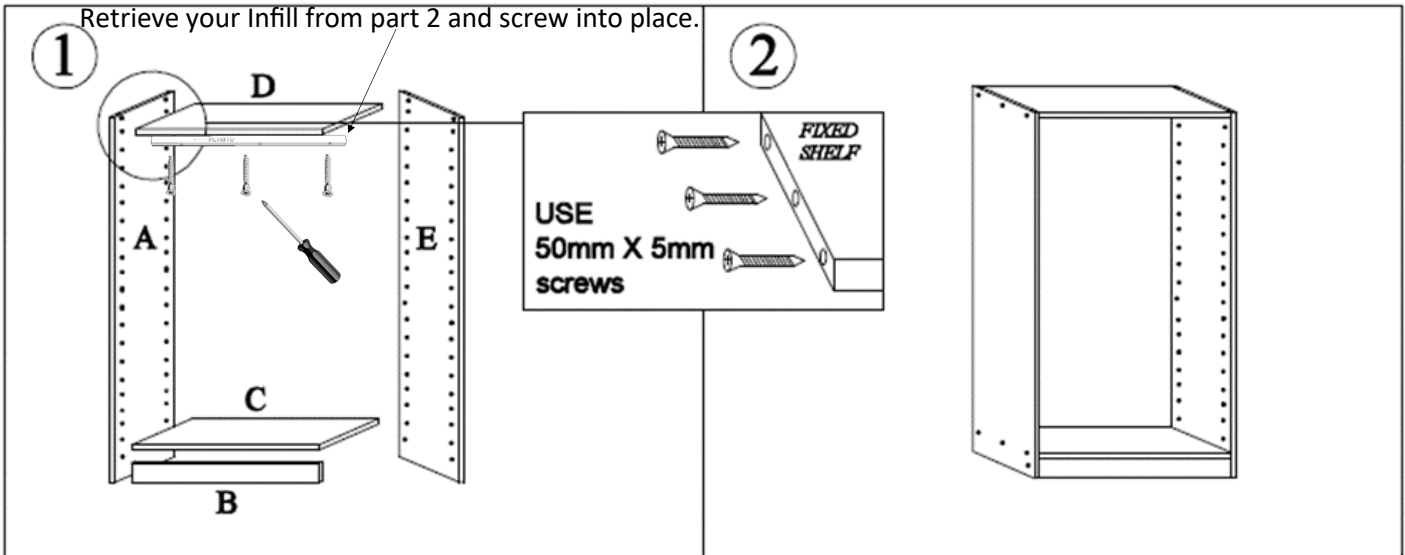


NO	MODEL	DESCRIPTION	QTY
1		CONFIRMAT SCREWS	10
2		CAPS	10
3		BACKING NAILS	60
4		WALL BRACKET	1
5		UNIT BRACKET SCREWS	1
6		WALL BRACKET SCREWS	1

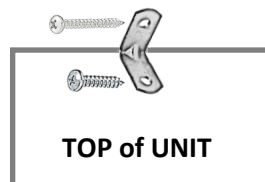


MULTISTORE

ASSEMBLY INSTRUCTION



	WARNING: Serious injury or death can be caused by toppling furniture
Help prevent tip-over:	
<ul style="list-style-type: none">Anchor this product to a wall or other suitable surfaceCheck anchors regularly	<ul style="list-style-type: none">Avoid placing TVs on top unless the TV is also anchoredUse drawer locks to prevent children climbing



When attaching unit to wall put safety bracket in middle of unit with 16mm pan head screw then 25mm pan head screw into wall. For plaster-board without a stud it is recommended to use a plug with screw (not provided).