

MORTISE EDITION

START HERE

QUICK START GUIDE

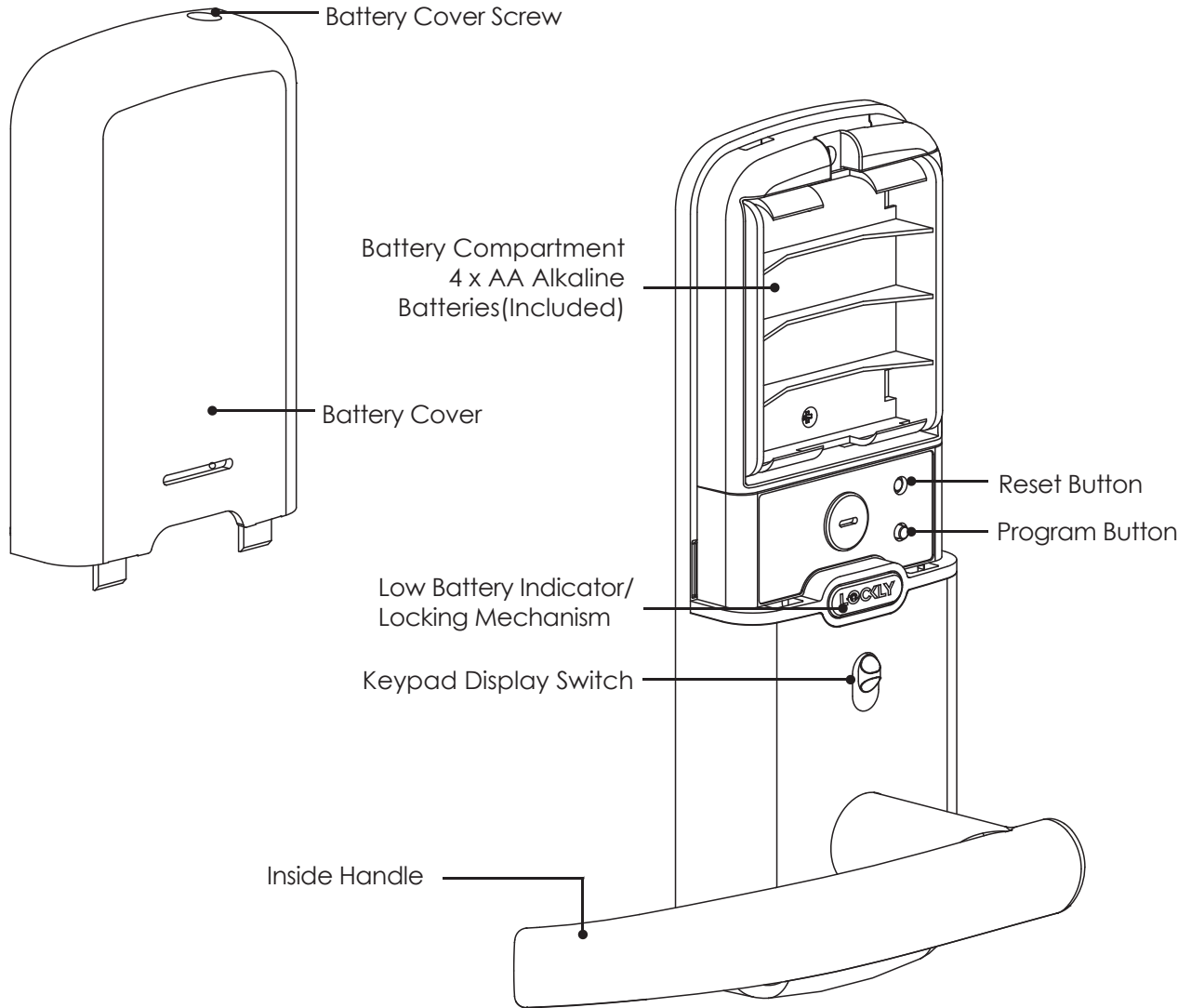
LOCKLY LUX COMPACT



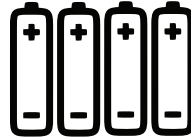
OVERVIEW - EXTERIOR



OVERVIEW - INTERIOR



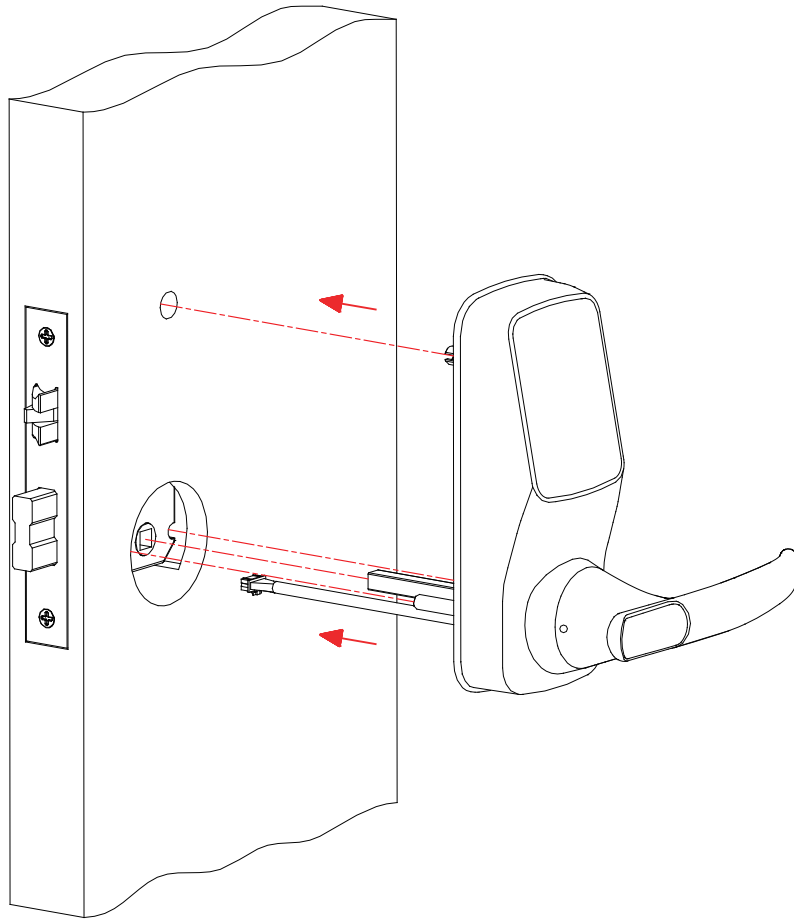
WHAT YOU NEED



- 1. Phillips Screwdriver**
- 2. 4 x AA Batteries (Included)**
- 3. Lockly Smart Lock**
- 4. Lockly Secure Link***

** Sold Separately. Enables live monitoring and voice assistant control.
Add a Secure Link Wifi Hub by visiting [Lockly.com](https://lockly.com).*

1. INSTALL LOCKLY LUX COMPACT



Follow the installation manual step by step to install the Lockly Smart Lock, Secure Link Wi-Fi Hub, and Door Sensor.

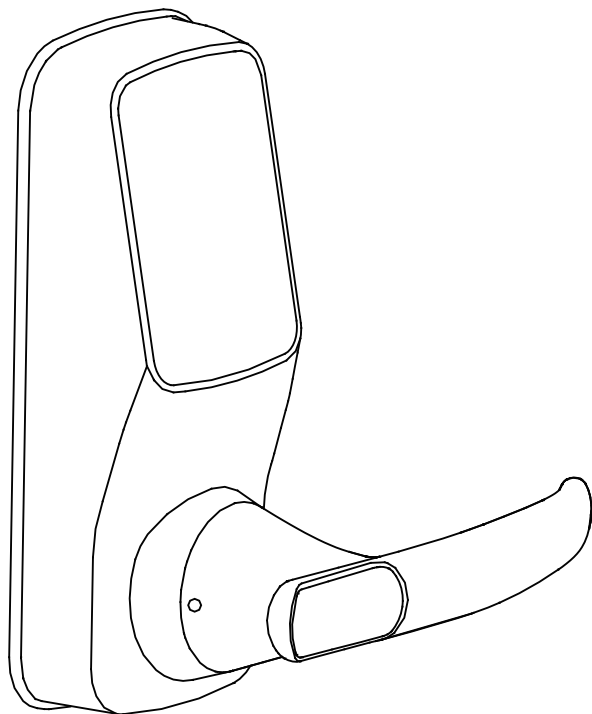
2. INSTALL THE APP

To enable history monitoring, Bluetooth locking/unlocking, the Google Home Assistant or Amazon Alexa voice commands, and OAC (Offline Access Code™), please install the latest version of the Lockly mobile App by visiting the appropriate app store.



Scan or visit [Lockly.com/app](https://lockly.com/app)

3. PAIR YOUR SMARTPHONE



After installing the app, open it and create an account. Once you have successfully created an account, add a new Lockly smart lock and follow on screen instructions to complete setup. You will need your Initial Code Card that was included in the Lockly smart lock box to proceed.

**ENJOY YOUR
LOCKLY SMART LOCK!**

Find us on Social

@meetlockly #lockly



We're Here to Help!



[Lockly.com/help](https://lockly.com/help)

