



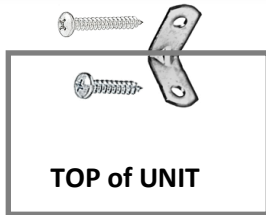
MULTISTORE

ASSEMBLY INSTRUCTION FOR ULTRA-ST

WARNING: Serious injury or death can be caused by toppling furniture

Help prevent tip-over:

- Anchor this product to a wall or other suitable surface
- Check anchors regularly
- Avoid placing TVs on top unless the TV is also anchored
- Use drawer locks to prevent children climbing



When attaching unit to wall put safety bracket in middle of unit with 5/8 pan screw then 25mm pan head screw into wall. For plasterboard without a stud it is recommended to use a plug with screw (not provided).

2 x SIDE GABLES—1 X LEFT HAND,
1 X RIGHT HAND



1 X BACK PANEL



4 X ADJUSTABLE SHELVES



1 x KICK



3 x FIXED SHELF



HARDWARE LIST

NO	MODEL	DESCRIPTION	QTY	NO	MODEL	DESCRIPTION	QTY
1		50 x 5mm CONFIRMAT SCREW	14	5		16mm PAN HEAD unit SCREWS	1
2		CAPS	14	6		25mm PAN HEAD wall SCREWS	1
3		SUPPORT PINS	16	7		"L" SAFETY BRACKET	1
4		BACKING NAILS	75				

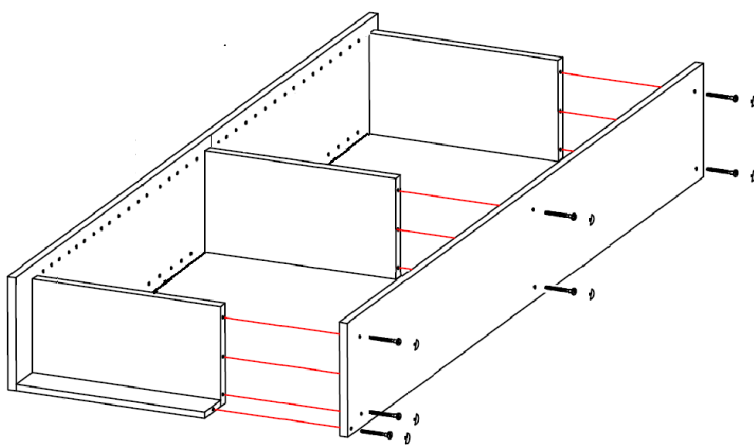
OPTIONAL: FOR ADDITIONAL SAFETY 1X L BRACKETS AND SCREWS ARE PROVIDED FOR SECURING UNIT TO WALL



MULTISTORE

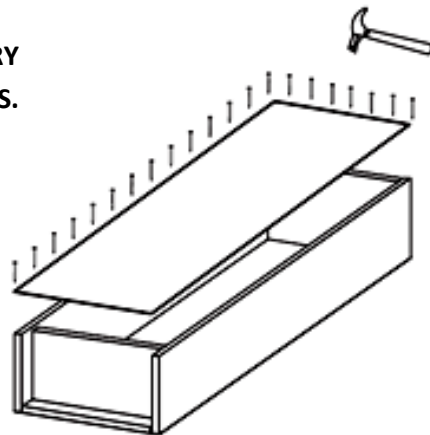


TAKE YOUR GABLES AND LAY THEM OUT FLAT, YOU SHOULD HAVE 1 X LEFT-HAND, 1 X RIGHT-HAND GABLES.



ALIGN YOUR SHELVES AND KICK TO THE LEFT HAND GABLE, SCREW THEM INTO PLACE ATTACH YOUR RIGHT-HAND GABLE AND DO THE SAME.

ADD YOUR BACK AND PROCEED TO NAIL APROX. EVERY 100mm MAKING SURE YOU ARE SQUARE AT ALL TIMES.



NEXT STEP:



GRAB THE SHELF PINS AND PUSH THEM INTO THE HOLES PROVIDED THESE WILL SUPPORT YOUR ADJUSTABLE SHELVING YOU MAY PUT THEM WHERE-EVER YOU LIKE.

YOU ARE NOW FINISHED.