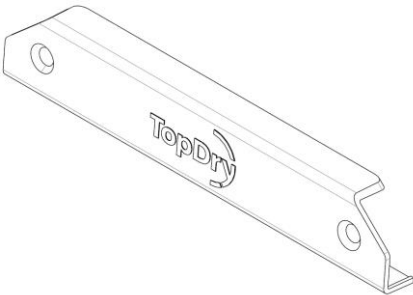
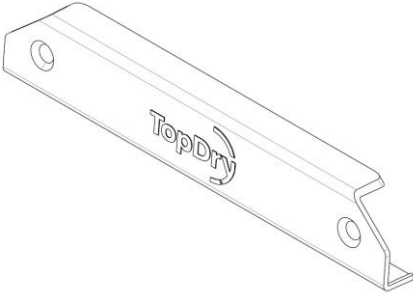
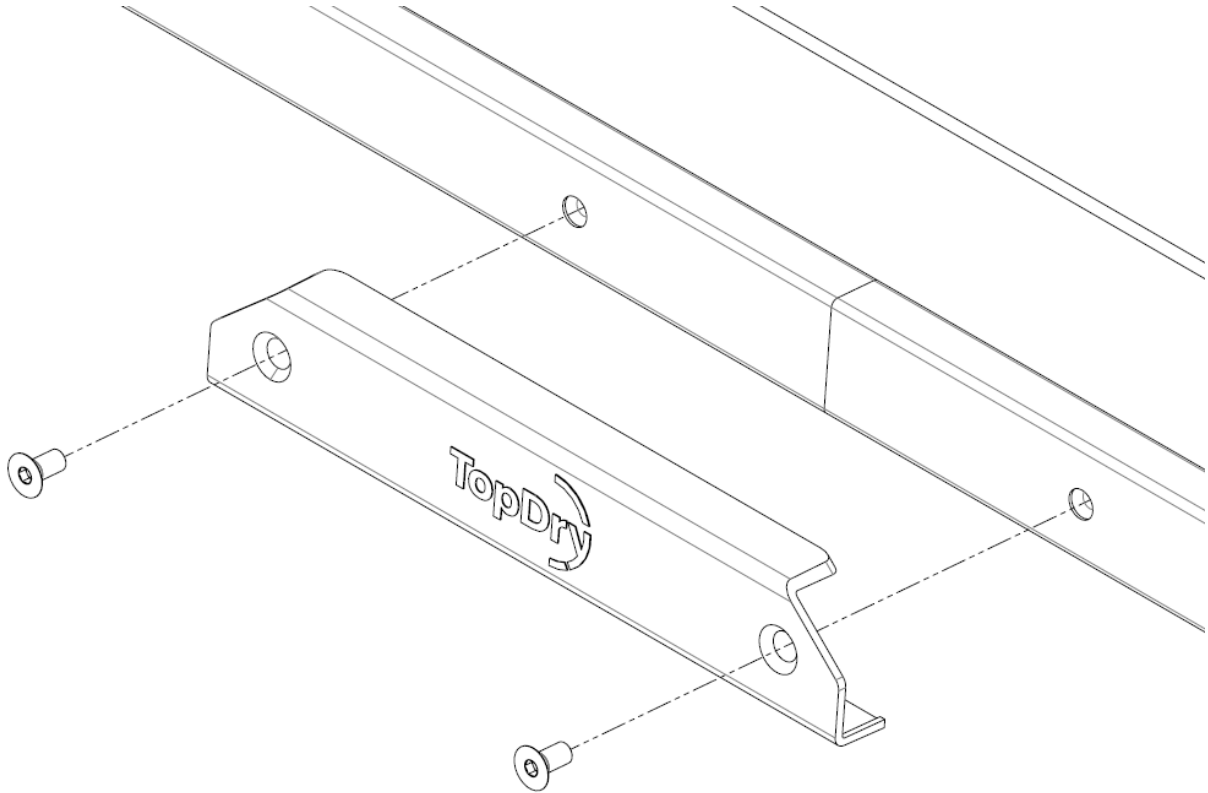


TOPDRY Folding Frame – Handle Replacement Installation Instructions

Parts List

AD05520	Handle - Smoke	
AD05521	Handle - Slate	

Remove the Handle to be Replaced



1. Undo the two screws using a 4mm hex key and remove the handle.
2. Position the new handle and secure by tightening the two screws using a 4mm hex key.