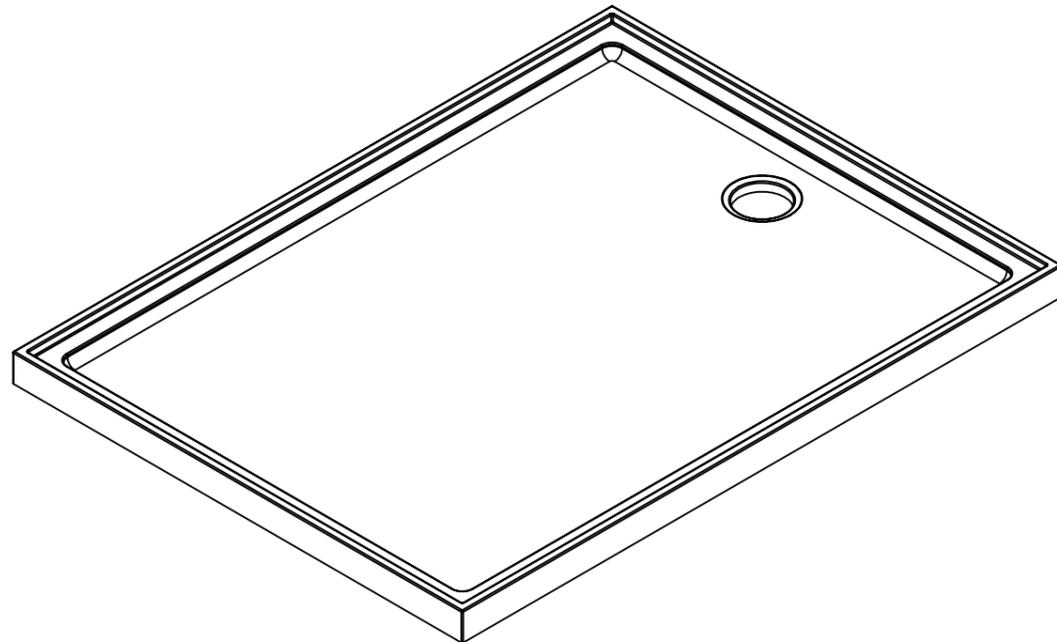
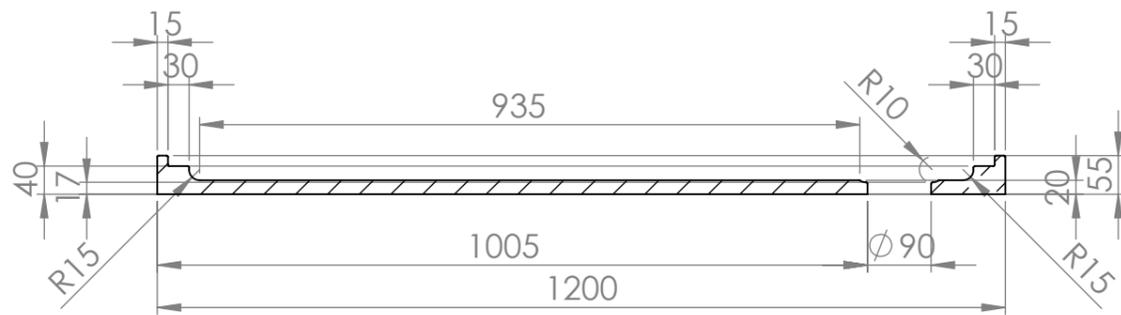
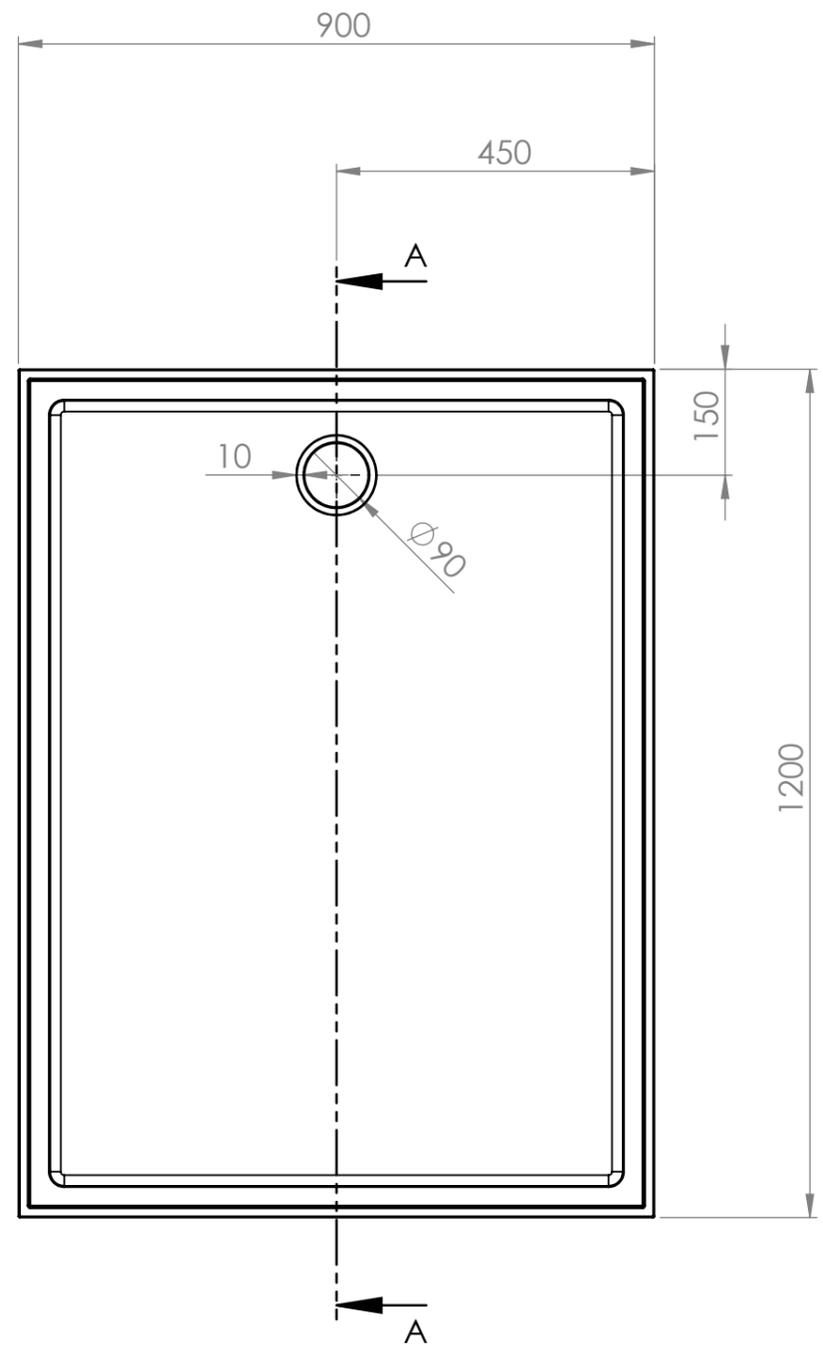


ITEM NO.	PART NUMBER	DESCRIPTION	QTY.
1	102.01.01.21	4Way 900x1200 Rear Outlet	1

CROSS SECTION VIEW  
SECTION A-A



ISOMETRIC VIEW



TOP VIEW

 Showerline 5 Kim Court North Geelong VIC 3215  Phone: 1800 688 745 Fax: n/a Email: n/a Website: www.showerline.com.au	Material: Poly Marble	DO NOT SCALE DRAWING		REVISION 1.1
	Part Number: 102.01.01.21	TITLE: 4Way 900x1200 Rear Outlet DRAWING rev1.1		
	UNLESS OTHERWISE SPECIFIED: DIMENSIONS ARE IN MILLIMETERS SURFACE FINISH: Gel coat, Fast cure ISO NPG Styrene Monomer TOLERANCES: 5mm ALL FILLETS 2mm UNLESS SPECIFIED	SIZE A	DWG NO. 26 of 50	A3 PAGE: 1
	Drawn and prepared by NAME: Jason Duong SIGNATURE: [Signature] DATE: 08/09/2017	SCALE: 1:10 This drawing and design belongs to Showerline. This technical drawing is a guide only, dimensions should be checked with actual shower base supplied.		

