

HIGHGROVE

GLASS SOLUTIONS



Shower Screen Instructions

STEP BY STEP GUIDE



www.highgroveglass.com.au

Available at
BUNNINGS
warehouse

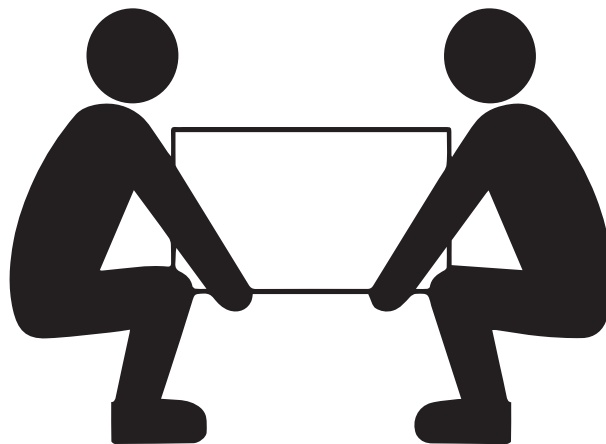


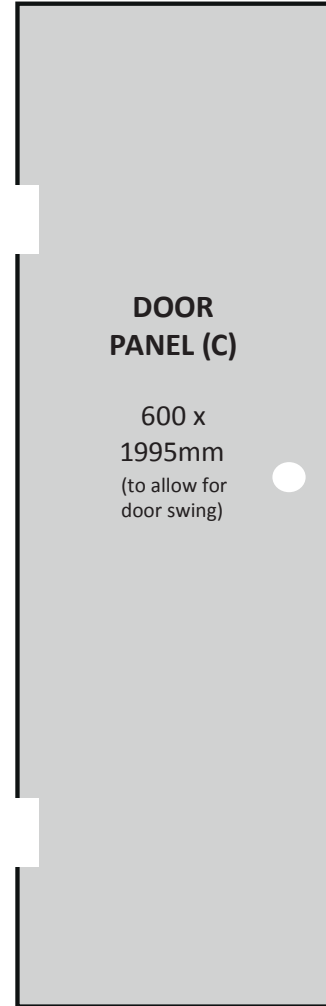
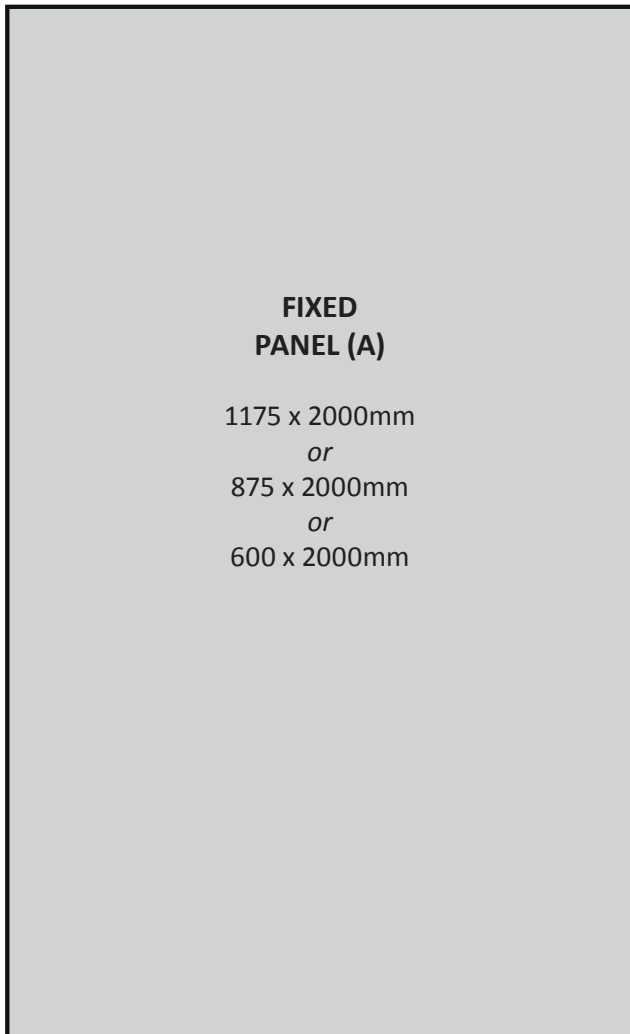
IMPORTANT - GLASS IS FRAGILE AND CAN SHATTER.
2 PEOPLE ARE REQUIRED FOR GLASS PANEL INSTALLATION
TO AVOID GLASS DAMAGE AND **SERIOUS INJURY**.

Ensure you read all instructions completely before commencing.

WARNING

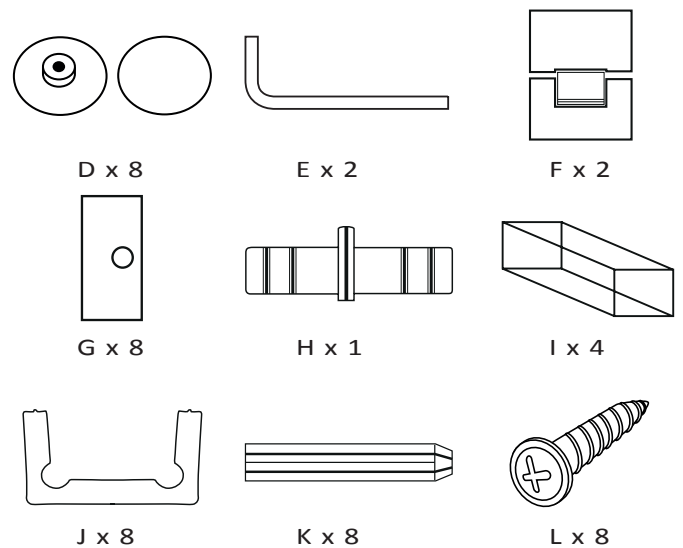
**STRICTLY
2 PERSON LIFT**





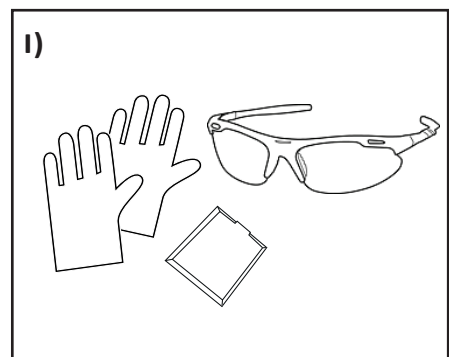
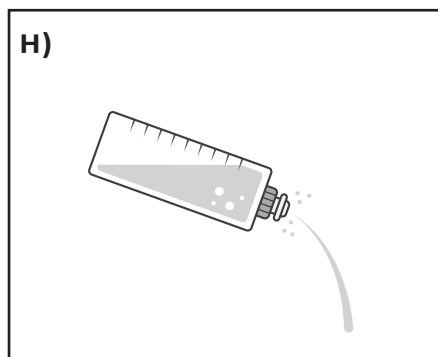
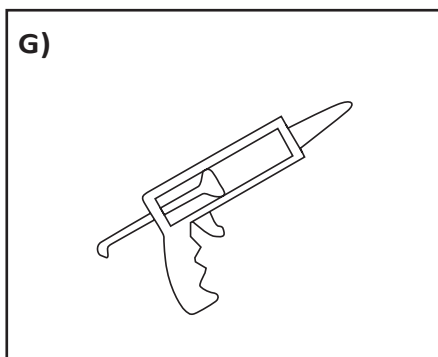
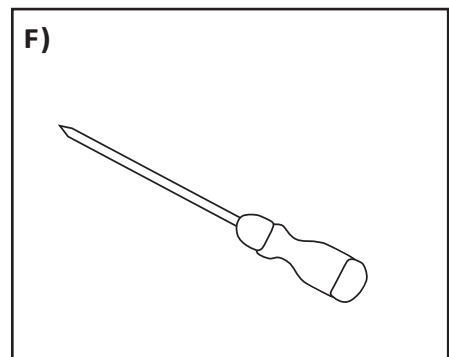
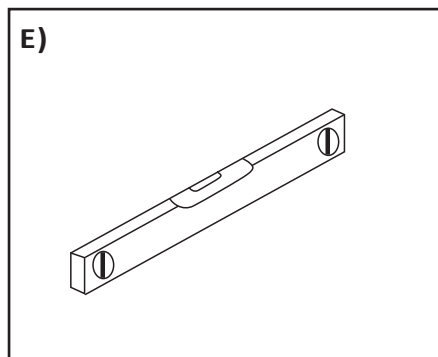
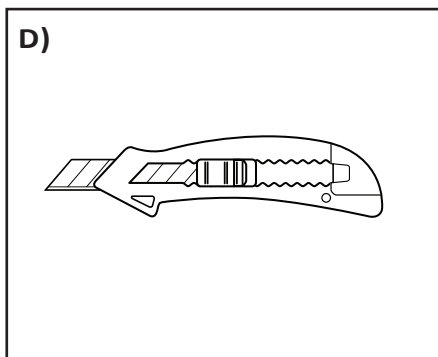
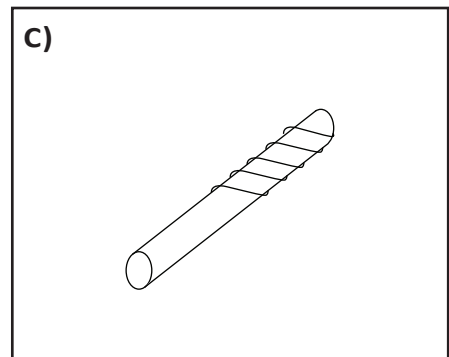
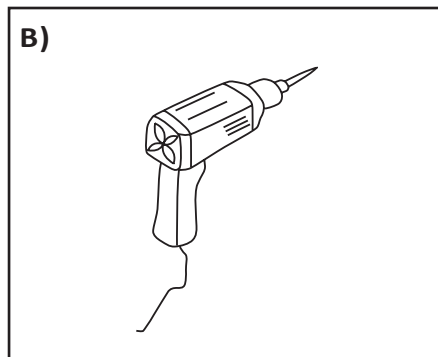
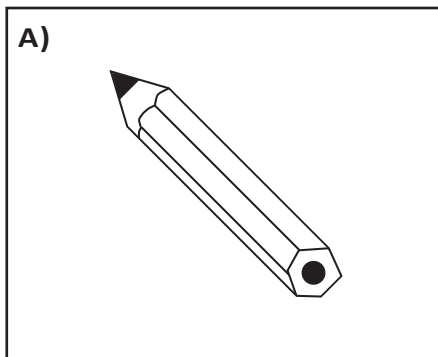
BEFORE COMMENCING INSTALLATION, ENSURE YOU HAVE THE FOLLOWING COMPONENTS:

- D)** 8 x Hinge Caps
- E)** 2 x Allen Keys
- F)** 2 x Glass to Glass Hinges
- G)** 8 x Mounting Clips
- H)** 1 x Door Handle
- I)** 4 x Clear Rubber Blocks
- J)** 8 x Clear Gaskets
- K)** 8 x 25mm Green Masonry/Ceramic Plugs
- L)** 8 x 25mm Phillips Head Screws



YOU WILL ALSO NEED THE FOLLOWING TOOLS:

- A) Pencil for marking lines (ensure you use a marker that can be removed from tiles)
- B) Drill
- C) 6mm ceramic drill bit
- D) Utility knife
- E) Spirit level
- F) Phillips head screw driver
- G) A suitable bathroom silicone with mould inhibitor
- H) Water spray bottle
- I) Gloves, safety glasses and silicone Spatula (Recommended Pack: Highgrove Installation Kit 1141369 - 2 sets of gloves and silicone spatula)



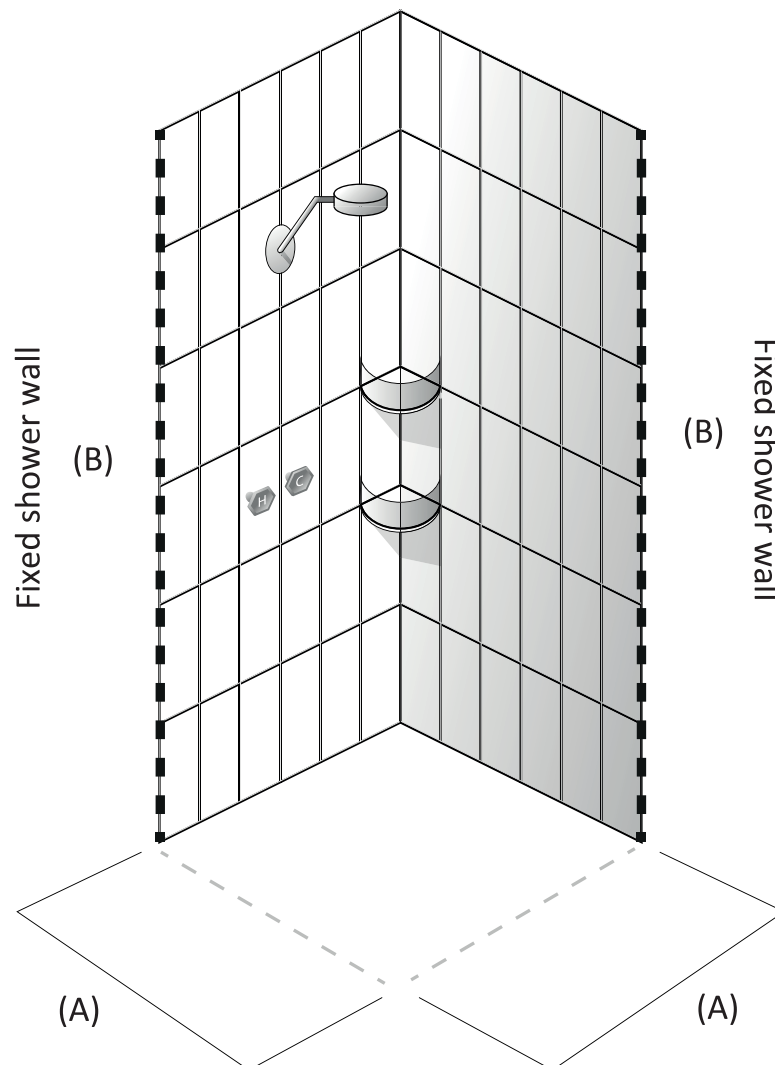
STEP 1

On the base of the shower mark two HORIZONTAL centre lines (A) that will guide the installation and placement of your panels

For a 1175mm fixed panel, this will be = 1175 mm

For a 875mm fixed panel, this will be = 875 mm

For a 600mm fixed panel, this will be = 600 mm



Position a spirit level on the centre lines next to **BOTH** fixed shower walls and make a **VERTICAL** mark at 2000mm (B).

This will be the top of your shower screen.

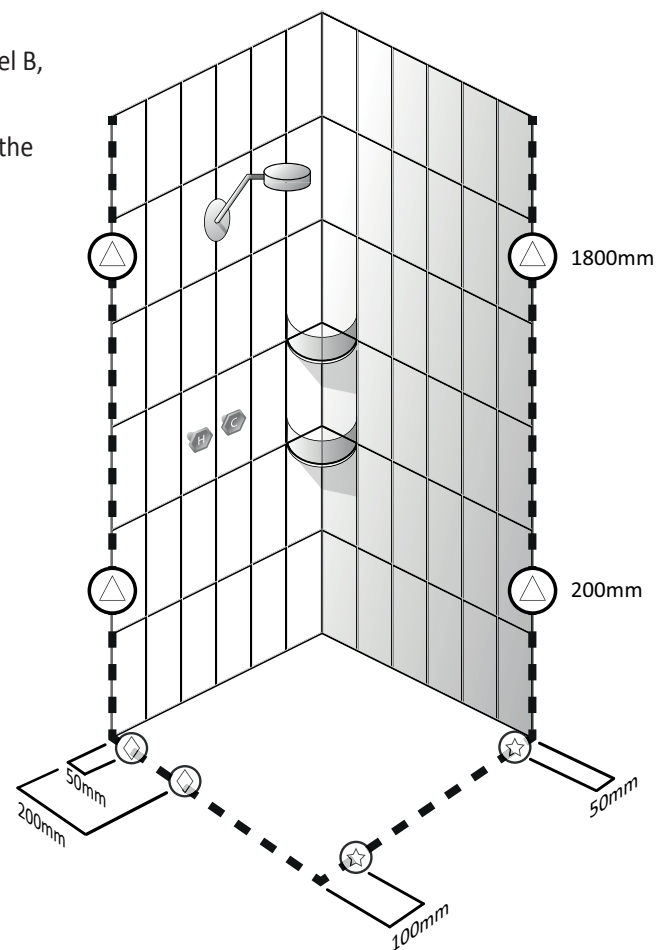
NOTE: A spirit level must be used to ensure vertical straightness.

STEP 2

To mark the position of the two **WALL** mounted brackets for both Panel A and Panel B, make a mark at 200mm and 1800mm from the floor on each of your **VERTICAL** marks (B) from Step 1 as indicated by the **triangles (Δ)**.

To mark the position of the two **FLOOR** mounted brackets for Panel A, make a mark, on your **HORIZONTAL** marks (A) from Step 1, 50mm from the desired wall **AND** 100mm from the end of where Panel A will finish when installed as indicated by the **stars (☆)**.

To mark the position of the two **FLOOR** mounted brackets for Panel B, make a mark, on your **HORIZONTAL** marks (A) from Step 1, 50mm and 200mm from the adjacent wall as indicated by the **diamonds (◇)**.



STEP 3

Using a 6mm ceramic drill bit, drill the marked holes (eight holes) from Step 2 to a depth of approximately 30mm.

Insert green plugs into each hole and ensure you cut off any excess protruding from the wall or floor.

Fix each mounting bracket to the walls and floor, ensuring the grub screw side of each bracket faces the inside of the shower.

Loosen the grub screws so the glass panels can slide inside the brackets.

STEP 4

Remove any marks you have made with your marker or pencil.

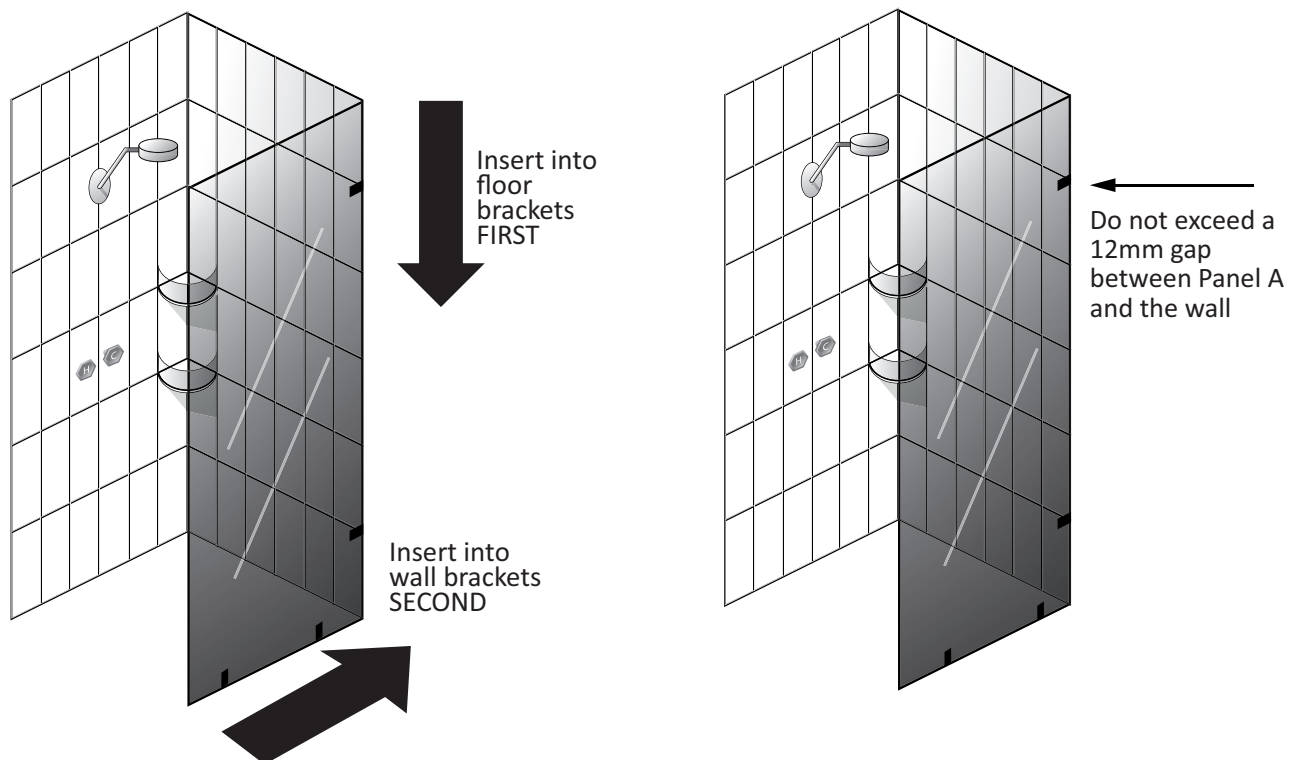
Cut the supplied clear rubber blocks to approximately 5-6mm and place in front of each bracket to protect Panel A and Panel B edges from damage.

STEP 5

IMPORTANT - GLASS IS FRAGILE AND CAN SHATTER.
2 PEOPLE ARE REQUIRED FOR GLASS PANEL INSTALLATION
TO AVOID GLASS DAMAGE AND **SERIOUS INJURY**.
Ensure you read all instructions completely before commencing.

Ensuring you have Panel A up the correct way, carefully lower the panel into the **FLOOR** brackets of the desired side.
Once inserted into the floor brackets, you can now slide Panel A into the **WALL** brackets.

Once Panel A is level, **HAND** tighten using Allen Key provided.

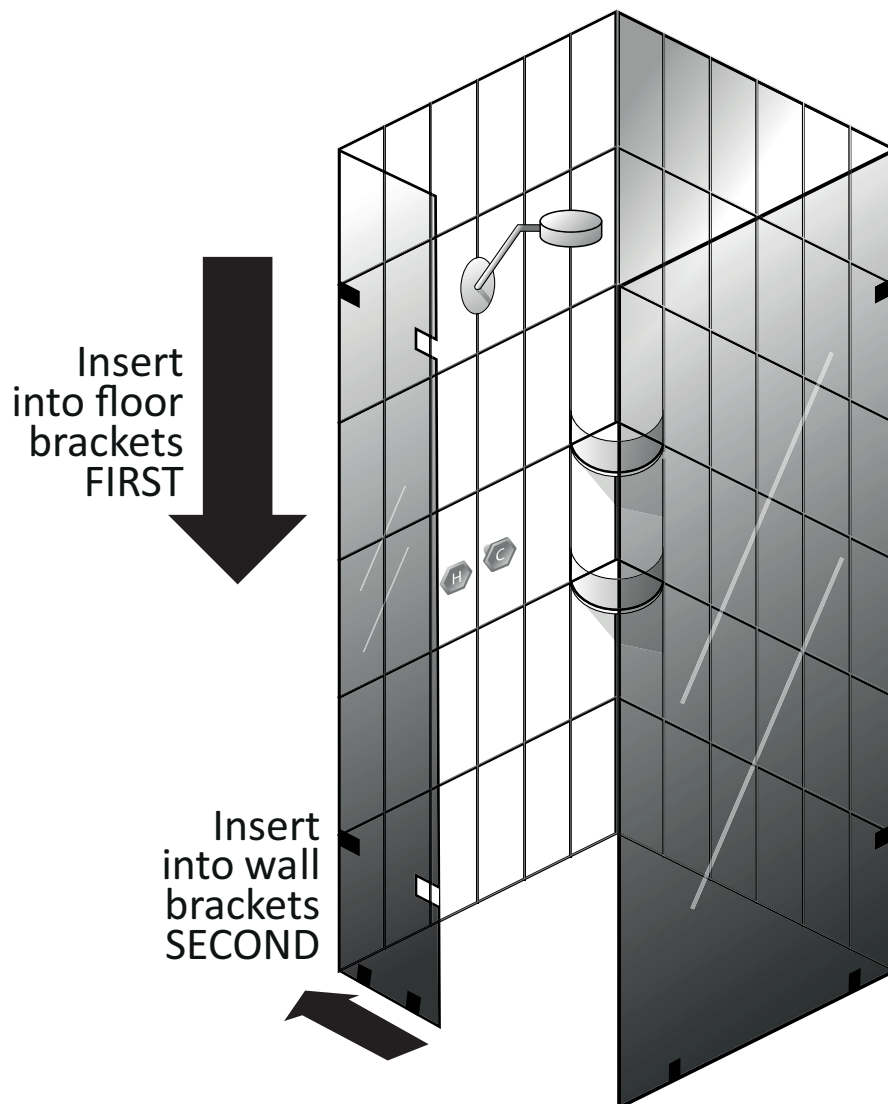


STEP 6

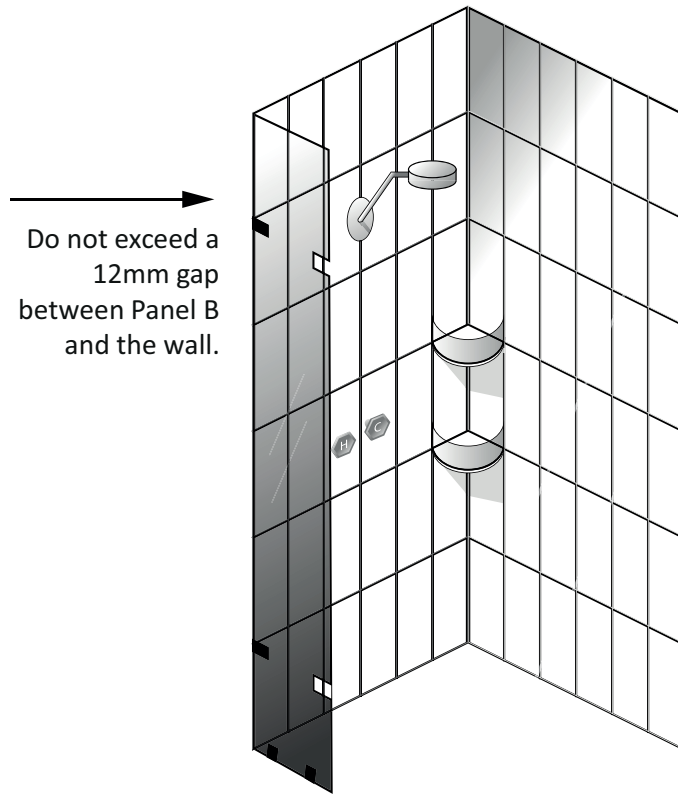
IMPORTANT - GLASS IS FRAGILE AND CAN SHATTER.
2 PEOPLE ARE REQUIRED FOR GLASS PANEL INSTALLATION
TO AVOID GLASS DAMAGE AND **SERIOUS INJURY**.

Ensure you read all instructions completely before commencing.

Ensuring you have Panel B up the correct way, carefully lower the panel into the **FLOOR** brackets of the desired side.
Once inserted into the floor brackets, you can now slide Panel B into the **WALL** brackets.



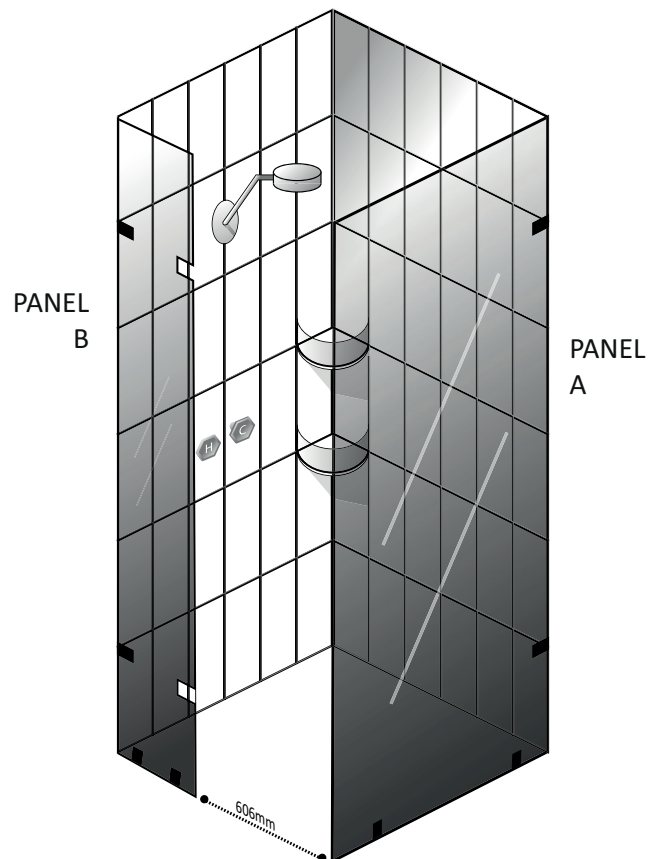
Ensure Panel B is level. If not, adjust the size of the clear rubber blocks. Do not exceed a 12mm gap between Panel B and the wall.



Before tightening all grub screws for Panel B, ensure the door opening is 606mm from the end of Panel A.

Once Panel B is level and 606mm from the end of Panel A, **HAND** tighten all bracket grub screws very tightly.

You cannot overtighten these, so do not worry about breaking the glass.



STEP 7

Using a suitable bathroom silicone with mould inhibitor, fill the gap between Panels A and B and the wall. Spray water over the sealed area before using a Highgrove silicone spatula to scrape off the excess.

Repeat this action until the excess silicone is cleared.

Repeat the step on both sides of the glass and allow the silicone to cure before hanging the door as per silicone instructions.

STEP 8

Attach the hinges to the recesses in Panel B ensuring the Allen head screws are facing the inside of the shower.

STEP 9

Place two rubber blocks in the door opening to prevent damage and allow for proper door clearance.

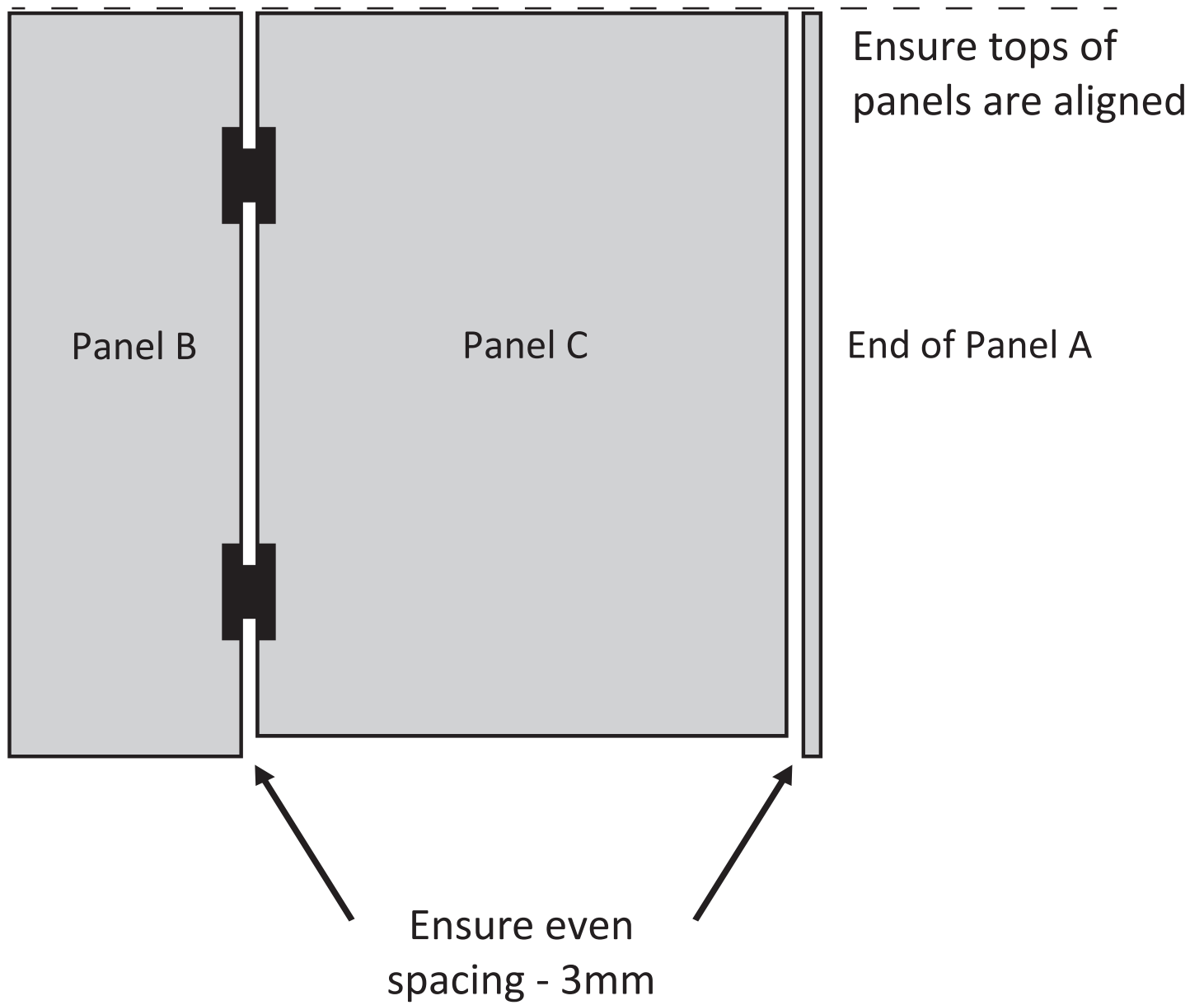
**IMPORTANT - GLASS IS FRAGILE AND CAN SHATTER.
2 PEOPLE ARE REQUIRED FOR GLASS PANEL INSTALLATION
TO AVOID GLASS DAMAGE AND SERIOUS INJURY.**

Ensure you read all instructions completely before commencing.

SLOWLY lift Panel C into position on the rubber blocks, ensuring the door is facing the right way up.

Fix the Panel B hinges to Panel C, ensuring gaskets are fitted to **EACH** side of the glass when installing hinges.

Before tightening hinge screws, ensure there are even gaps between Panel B and Panel C, and Panel C and the edge of Panel A.



STEP 10

Tighten the hinges and carefully remove the rubber blocks.

Cut the excess block away from the bottom of Panel B and Panel A, ensuring you leave a rubber section directly under Panel B and Panel A for support.

Seal the bottom gap of Panel B and Panel A according to Step 7.

IMPORTANT NOTICE

(Highgrove Glass Solutions Frameless Shower Screen)

IMPORTANT: The glass panels used for Highgrove Glass solutions frameless shower screen are made from NATA tested Toughened Safety Glass. Although it is very tough, it can still be damaged if not handled correctly. Please read all instructions, prior to installation.

- 1) DO NOT rest or place the glass panels on hard surfaces like tiles, concrete, other glass panels & metal surfaces.
- 2) DO NOT attempt to cut, drill or grind the glass panel. Toughened Safety Glass is not like ordinary glass.
Any such actions would cause the entire panel to shatter into thousands of tiny pieces. ******(This is not because of inferior quality but it is part of the design criteria specified by Australian Standard AS2208 to avoid large shards of glass in case of accidental breakage)
- 3) DO NOT use abrasive cleaners or powders to clean the glass panels.
- 4) DO NOT use any acidic or caustic Silicone or chemicals on any part of the shower screen assembly.
- 5) DO NOT impact or scratch the glass panels with any sharp metallic objects or tools.
- 6) DO NOT knock one glass panel against another piece of glass panel. Take special care to avoid any impact during the installation.
- 7) DO NOT install the glass panels with just one person. The glass panels are heavy and you should have another person assist you to avoid injury.
- 8) DO NOT rest the edge of the panel directly on any hard surfaces during installation. Always cushion the edges with cardboard, soft timber or rubber mat.

If you are unclear about any part of the instruction, please contact Highgrove Glass Solutions

Phone: 1800 331 521

Web: www.highgroveglass.com.au

Email: CS@highgroveglass.com.au