

ASSEMBLY INSTRUCTION FOR MAXI ULTRA HS2

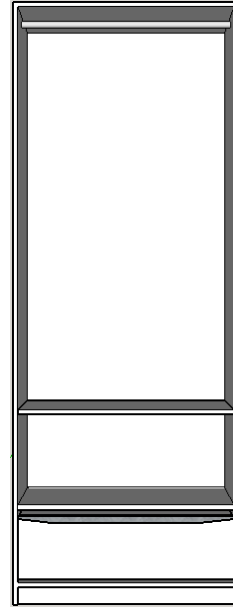
WARNING: Serious injury or death can be caused by toppling furniture

Help prevent tip-over:


- Anchor this product to a wall or other suitable surface
- Check anchors regularly
- Avoid placing TVs on top unless the TV is also anchored
- Use drawer locks to prevent children climbing

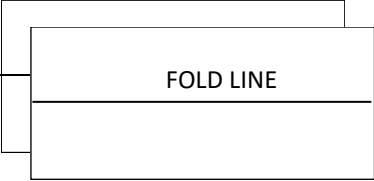



When attaching unit to wall put safety bracket in middle of unit with 16mm pan head screw then 25mm pan head screw into wall. For plasterboard without a stud it is recommended to use a plug with screw (not provided).





PARTS IDENTIFICATION LIST


1 x L & R GABLE 


2 x BACKS  FOLD LINE











1x 30mm HANGING RAIL 

3 x FIXED SHELF 

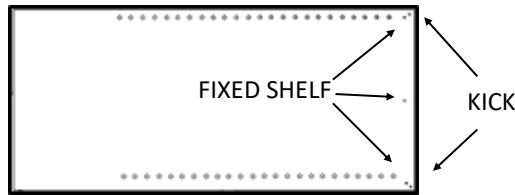
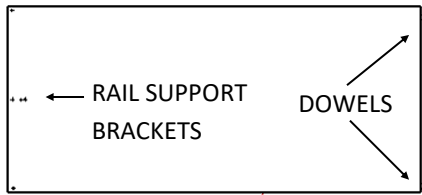
1 x CAM SHELF 

2 X 30mm FLANGES 

1 x BOTTOM KICK 

NO	MODEL	DESCRIPTION	QTY	NO	MODEL	DESCRIPTION	QTY
1		CONFIRMAT SCREWS 50mm x 5mm	15	6		CAMS	4
2		WHITE CAPS	15	7		CAM PINS	4
3		DOWELS	4	8		16mm PAN HEAD SCREWS	1
4		BACKING NAILS	60	9		25mm PAN HEAD SCREWS	1
5		16mm WOOD SCREW	2	10		"L" SAFETY BRACKET	1

MULTISTORE

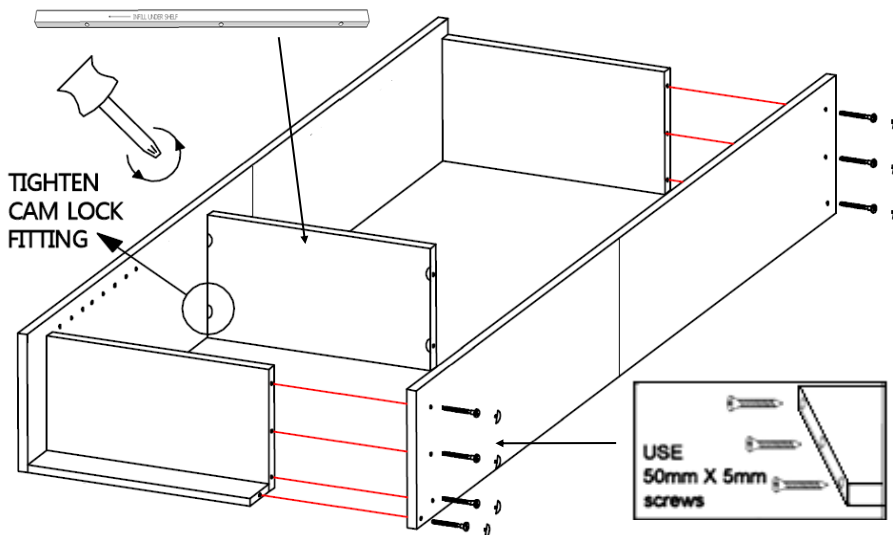


TAKE YOUR GABLES AND LAY THEM OUT FLAT, YOU SHOULD HAVE 2 X TOP & 2 X BOTTOM GABLES. USING A LITTLE WOOD GLUE (NOT SUPPLIED) IN YOUR PRE-DRILLED HOLES, INSERT YOUR WOOD DOWELS INTO 2 OF THE HOLES AND PUSH YOUR TOP INTO YOUR BOTTOM GABLE.

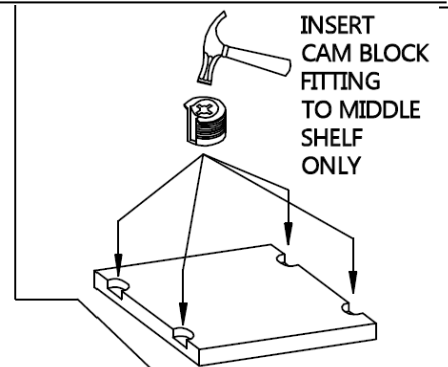
NEW STEP REQUIRES YOU TO OPEN PART 2 AND RETRIEVE THE INFILL.

NEXT STEP:

YOU WILL NEED TO RETRIEVE THE INFILL FROM PART 2, USING 30mm 8 GAUGE SCREWS PROVIDED, ATTACH THE INFILL TO THE UNDER-SIDE OF THE CAM SHELF BEFORE PUTTING YOUR SHELF INTO PLACE.

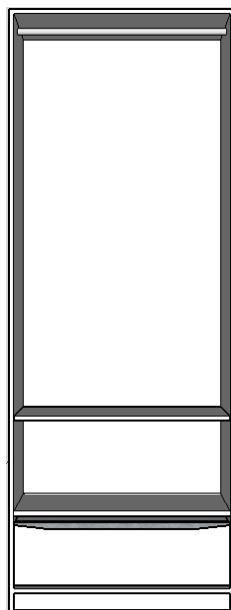
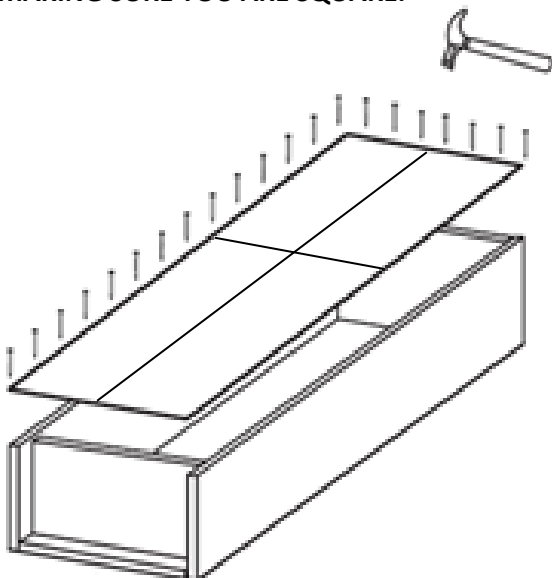


ALIGN YOUR SHELVES AND KICK TO THE LEFT-HAND GABLE, SCREW THEM INTO PLACE ATTACH YOUR RIGHT-HAND GABLE AND DO THE SAME.



IMPORTANT
PLACE THE FITTING OVER HOLE, KEEPING THE SQUARE, EDGE OF THE FITTING PARALLEL TO THE FACE OF THE BOARD, KNOCK IN CAREFULLY

FOLD OUT BOTH TOP AND BOTTOM BACKS
PROCEED TO NAIL THEM INTO POSITION
MAKING SURE YOU ARE SQUARE.



YOU WILL NEED 2 X 5/8 x 6 WOOD SCREWS FOR THE NEXT STEP.

TAP INTO POSITION YOUR FLANGES INTO THE HOLES PROVIDED IF YOU WISH YOU CAN SCREW IN 1 SCREW INTO THE MIDDLE OF THE FLANGE AND SLIDE ON YOUR HANGING RAIL.



NEXT:-YOUR PART 2 IS REQUIRED

YOU WILL NEED THE DRAWER ASSEMBLY SHEET ON HOW TO CREATE YOUR DRAWER.