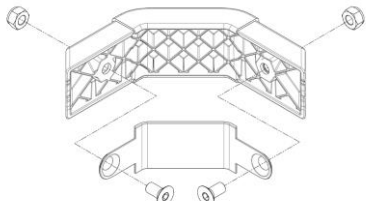
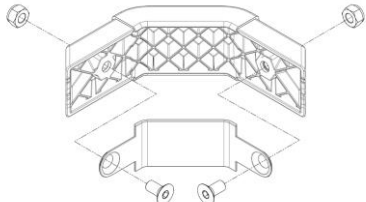
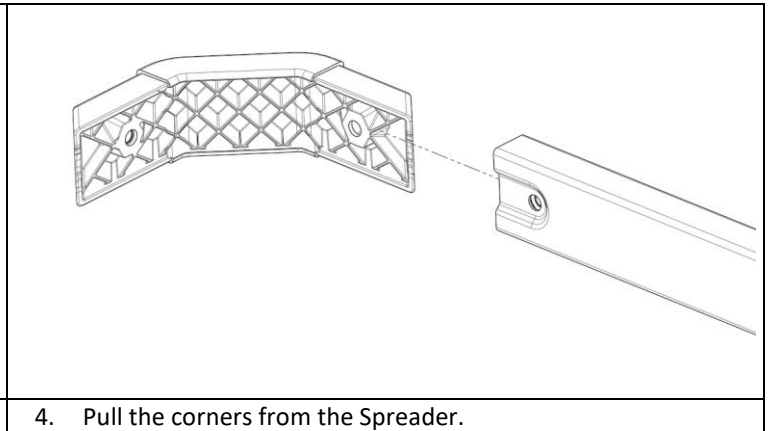
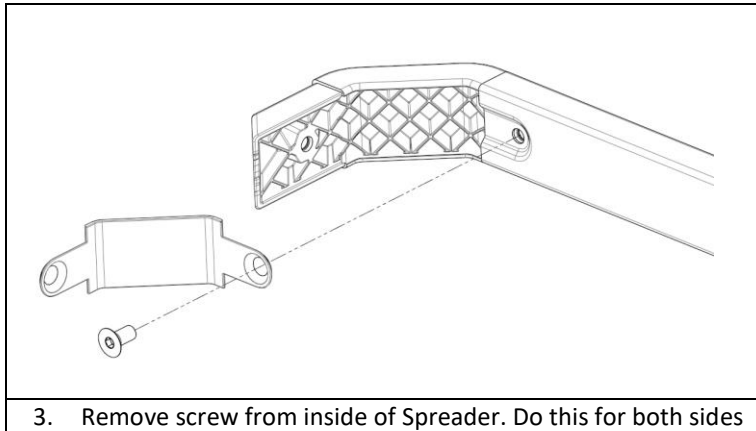
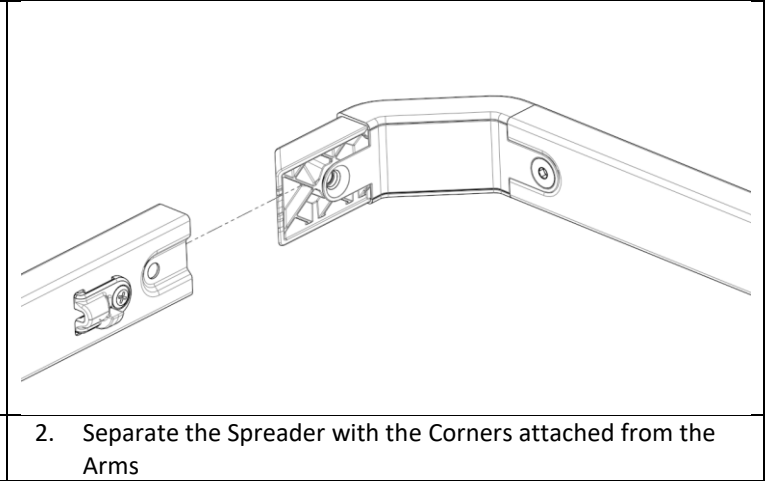
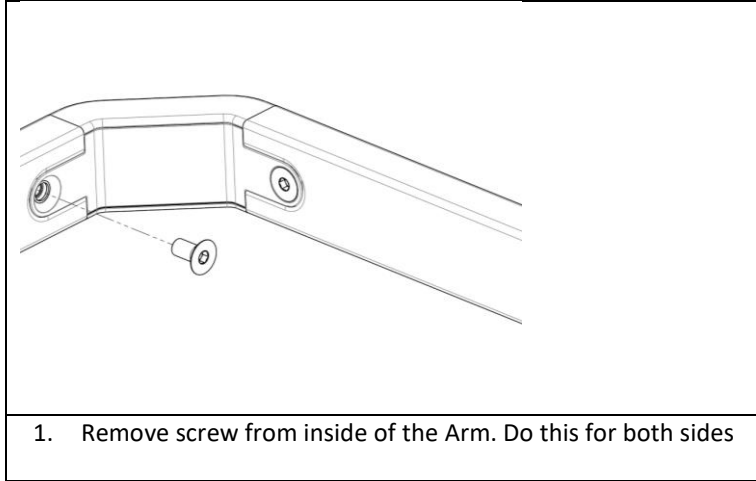


TOPDRY Folding Frame – Corner Replacement Installation Instructions

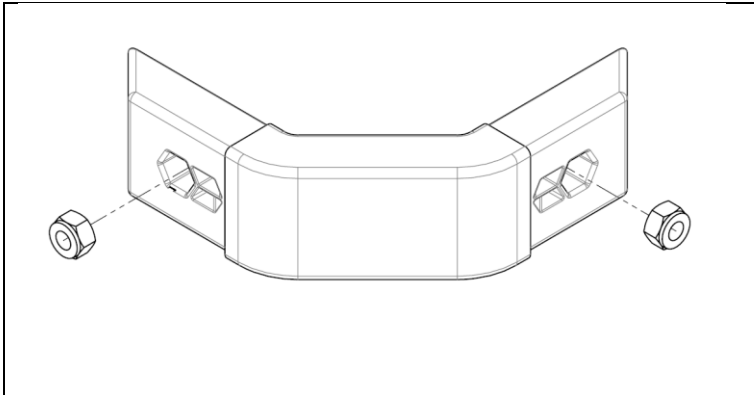
Parts List

| | | |
|---------|----------------|---|
| AD05518 | Corner- Smoke |  |
| AD05519 | Corner - Slate |  |

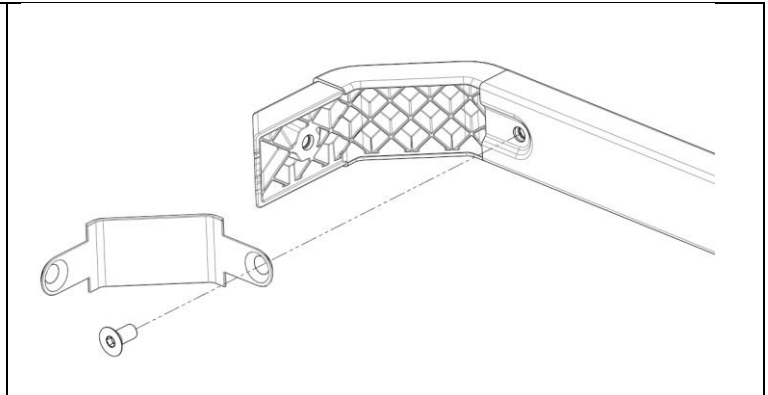
Remove existing Corners



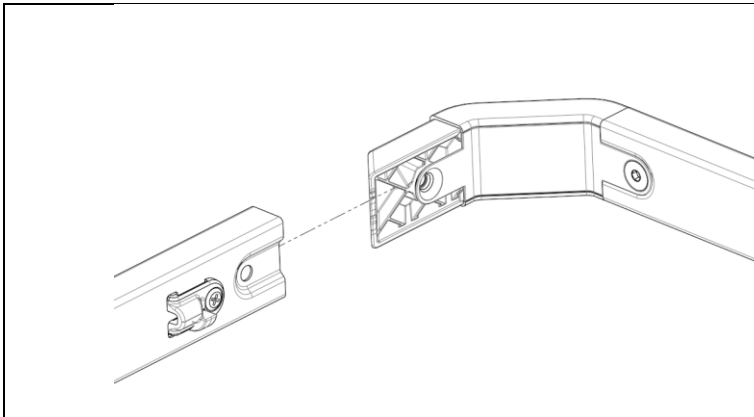
Fit new Corner assembly



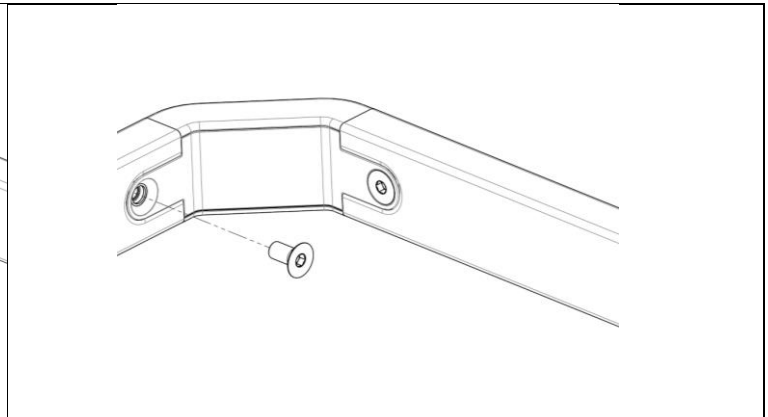
5. Check that the M6 Nyloc nuts are pushed into the Corner part.



6. Insert the Corners into the Spreader ends, position the Corner Cover and secure with the M6 x 16mm screw.



7. Insert the Spreader with the fitted Corners into the arms.



8. Secure each Corner to each Arms using a M6x16mm screw