



# DESIGNER GARDEN BED STANDARD

## IMPORTANT

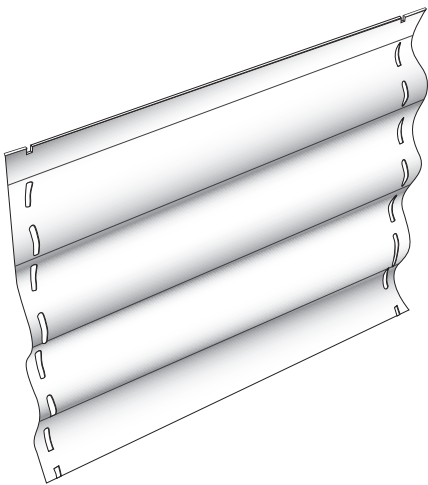


Before assembly and whilst unpacking, please be aware that there are sharp corners and edges that could cause injury and it is advisable to wear protective gloves when handling these items, sensible shoes are also recommended. Until such time as the SAFETY EDGE is fitted all necessary precautions need to be undertaken to avoid injury.

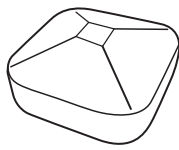
We recommend placing the bottom edge of the bed on a layer of 10-20mm gravel, this allows excellent drainage and protects the bottom edge of the bed. Placing the bed on level ground is also advised.

Before filling the bed with soil, ensure it is square and level. If filling with a bobcat or backhoe fill initial 1/3 of bed slowly. Also when filling your veggie bed do not climb in as this puts unnecessary pressure onto the bed.

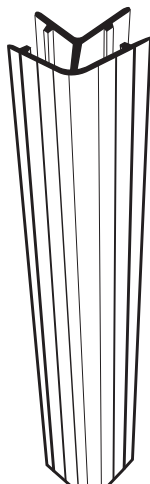
## KIT CONTENTS



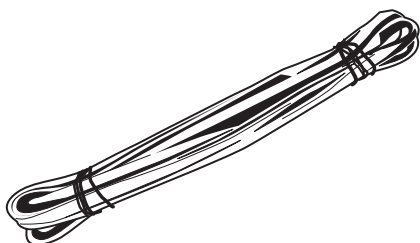
SHEETS x 4



CAPS x 4



CORNERS x 4

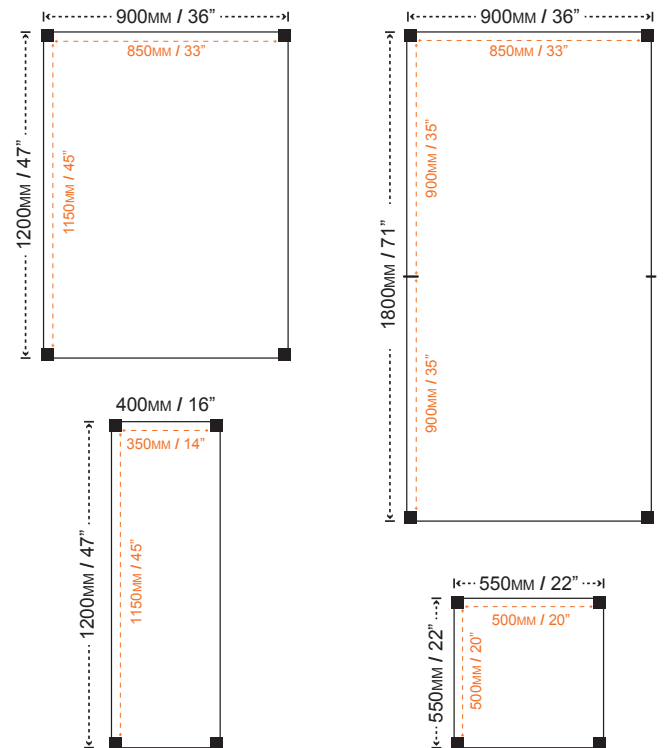


SAFETY EDGE

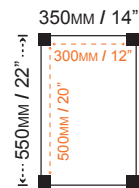
## CONFIGURATIONS

INDICATES SHEET SIZES

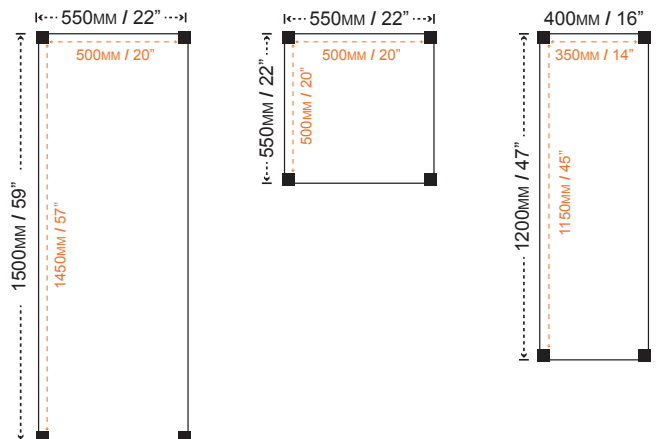
### HEIGHT 300MM / 12"



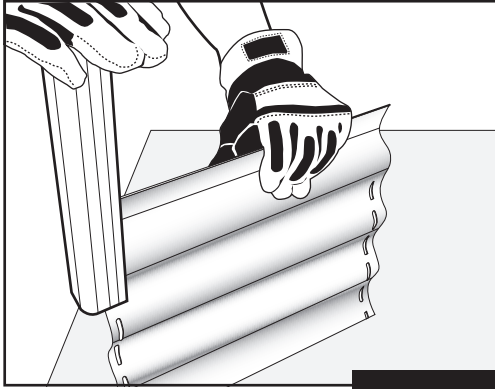
### HEIGHT 400MM / 16"



### HEIGHT 740MM / 29"

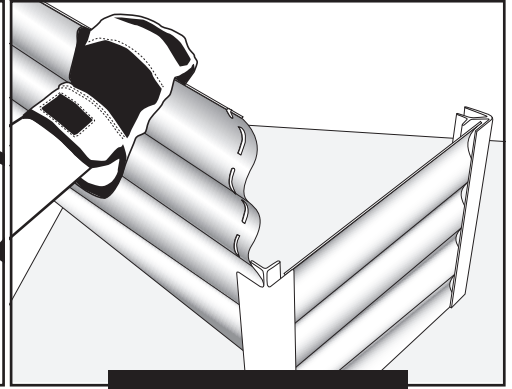
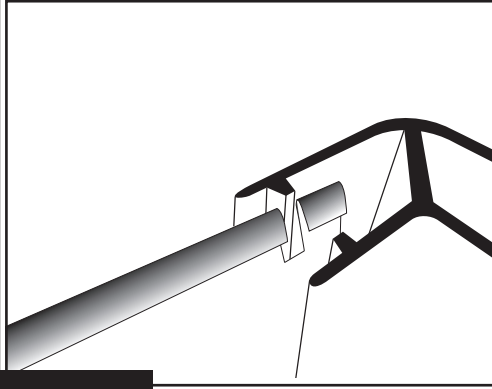


## ASSEMBLY



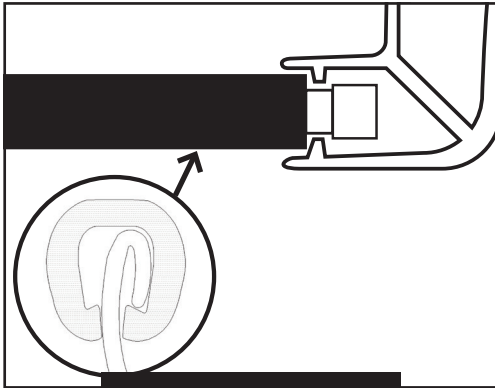
**STAGE 01**

Push posts onto each side of a sheet ensuring that the rolled steel edge is facing inwards (**AS ABOVE**) in relation to the bed.



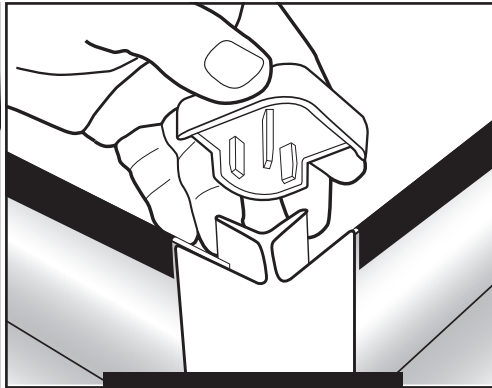
**STAGE 02**

Slide in remaining sheets.



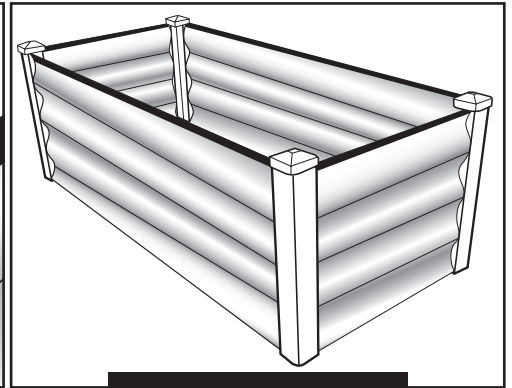
**STAGE 03**

Attach rubber safety edge onto the rolled steel edge & trim excess. Cut edging all the way into the post allowing the cap to hide it.



**STAGE 04**

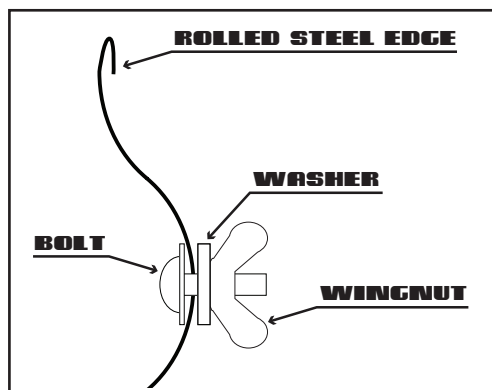
Place caps on tops of posts



**STAGE 05**

Completed bed

## SPECIAL INSTRUCTION



The 1800mm long bed requires two sheets to be joined lengthwise. To do this initially attach all the required wingnuts loosely & then tighten using the wingnut tension tool as supplied (a screwdriver/ cordless drill assists with this process). Failure to tighten each nut and bolt to its maximum may cause failure.