

MAKE IT EASY
Protector^{AI}

TEMPORARY GATE FRAME AND FENCING

INSTALLATION GUIDE



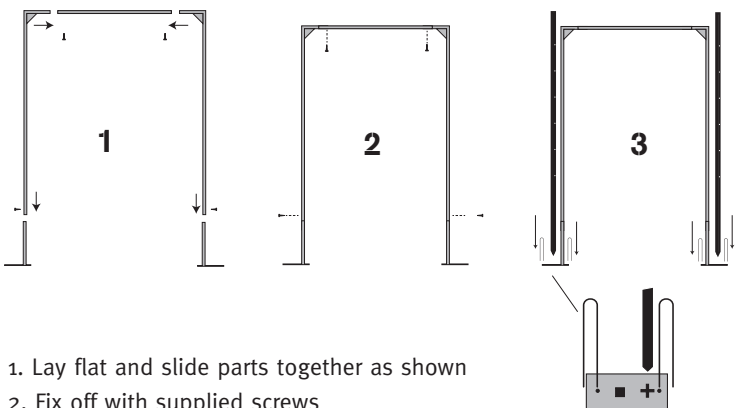
**IDEAL FOR
TEMPORARY
POOLS**



Tools Required: Drill, Tape Measure, Mallet

STEP 1 – ASSEMBLE GATE FRAME

If fitting a temporary gate frame kit, fit this before installing the temporary fence panels, its easier to start from the gate and work outwards to ensure the gate opening is correct.



1. Lay flat and slide parts together as shown
2. Fix off with supplied screws
3. Position frame as required on site and hold in place with supplied steel pegs placed through the base plate and into the ground. Fix firmly using 2100mm long star pickets (purchased seperately) placed through the baseplate cutout and hammer into ground until stable. Ensure the pickets are vertical.

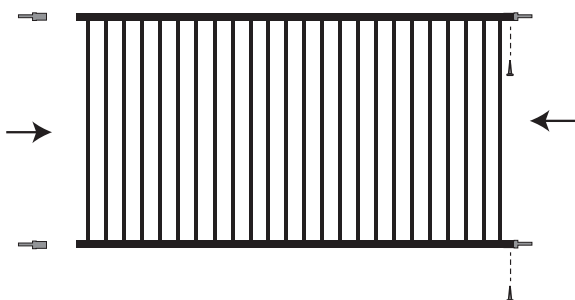
Frame is now ready to install a Protector Pool Gate.

We recommend **GBSAFE** hinges and latch, follow installation guide with products to ensure pool safety compliance.

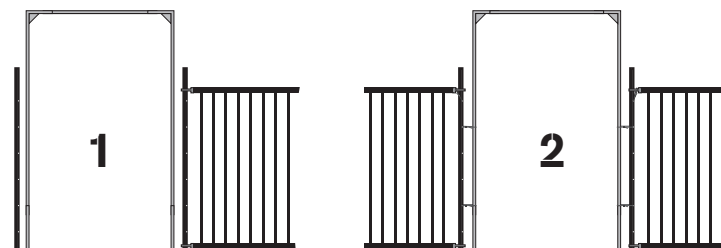
Available at
BUNNINGS
warehouse

MAKE IT EASY Protector^{AI}

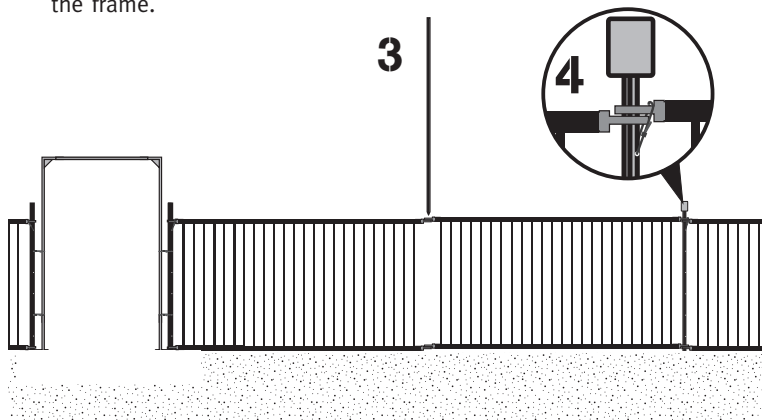
STEP 2 – ASSEMBLE FENCE PANELS



Insert fixing brackets into pool fence panels (panels sold separately) as shown and fix off with screws.



1. Fit fence panels either side of gate by sliding panels over pickets
2. Once fence panels are in position, secure cable ties through holes in star pickets and around the temporary frame, this will stabilise the frame.



3. Overlap next panel onto previous panel and then pass picket through. Hammer picket into ground until stable. Fence panels should sit on the ground.
4. Place safety caps onto picket tops and using the cable ties provided bind the panels to the pickets so panels cannot be lifted from the ground. Loop tie over fixing bracket and through hole on star picket.
5. Continue adding panels until panels link back to other side of gate frame to form a continuous barrier



9 338797 029784