

CL3 HYBRID
MULTI-LINE LASER

Lasertec




I N S T R U C T I O N M A N U A L

SAFETY

Read the following safety instructions before attempting to operate this product.

Keep these instructions in a safe place or store in the carry case for future reference.


SAVE ALL WARNINGS AND INSTRUCTIONS FOR FUTURE REFERENCE.


 **WARNING:** Read and understand all instructions.

- Use the laser only with the specifically designated batteries.
- Store the laser out of reach of children and other untrained persons. Lasers are dangerous in the hands of untrained users.
- Use only accessories that are recommended for your model.

- Tool service must be performed only by qualified repair personnel. Repairs, service or maintenance performed by unqualified personnel will void the warranty. Only approved and authorised service technicians can carry out warranty repairs.
- Do not use optical tools such as a telescope or transit to view the laser beam. Serious eye injury could result.
- Do not place the laser in a position which may cause anyone to intentionally or unintentionally stare into the laser beam. Serious eye injury could result.
- Do not position the laser near a reflective surface which may reflect the laser beam toward anyone's eyes. Serious eye injury could result.
- Do not use optical tools to view the laser beam.

- Do not set up the tool at a position where the laser beam can cross any person at head height.
- Do not let children come in contact with the laser.
- Turn the laser off when it is not in use. Leaving the laser on increases the risk of staring into the laser beam.
- Do not operate the laser around children or allow children to operate the laser. Serious eye injury may result.
- Do not remove or deface warning labels.
- Position the laser securely on a level surface. Damage to the laser or serious injury could result if the laser falls.

 **WARNING: DO NOT DISASSEMBLE THE LASER.** There are no user serviceable parts inside. Disassembling the laser will void all warranties on the product. Do not modify the product in any way. Modifying the tool may result in hazardous laser radiation exposure.

 **CAUTION: Class 3 Laser Product**

- Never look into the laser beam directly and intentionally.
- Do not use optical tools to view the laser beam.
- Do not set up the tool at a position where the laser beam can cross any person at head height.
- Do not let children come in contact with the laser.

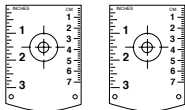
ITEM CHECKLIST

Please ensure the following items are included with your laser level.

If anything is missing please contact your retailer.



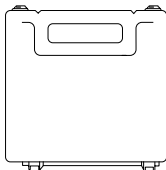
Lasertec CL3 Hybrid



2x laser targets



4x AA alkaline batteries

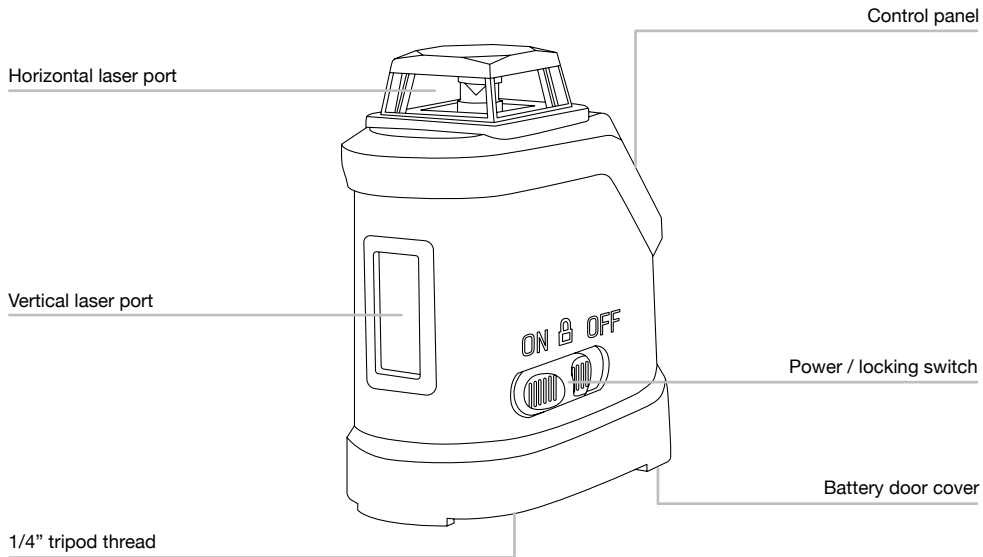


Carry case

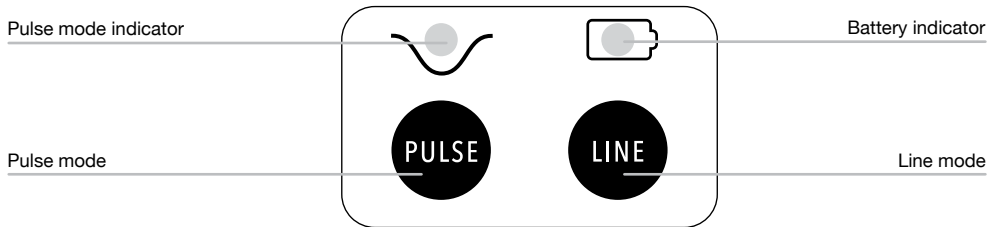


The carry case contains a cut out for an optional multi-purpose mount which can be purchased from your retailer.

LASER OVERVIEW



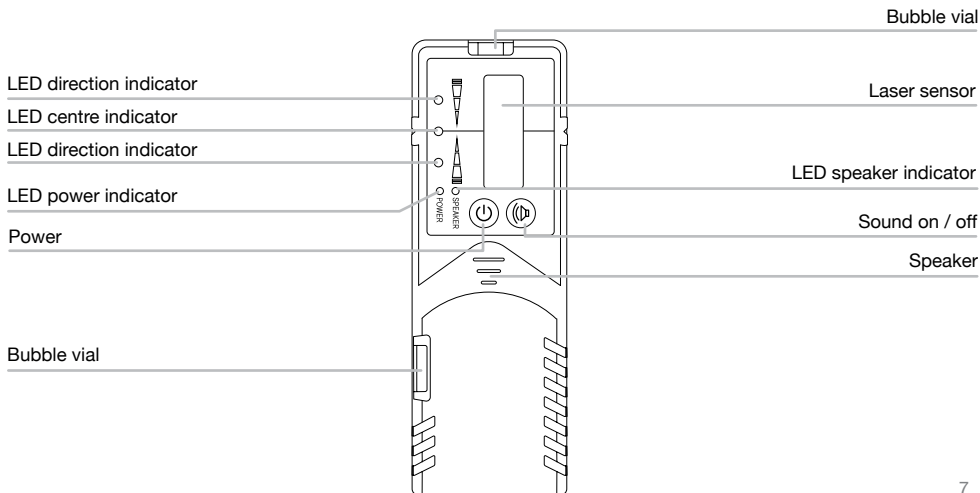
LASER OVERVIEW: CONTROL PANEL



DETECTOR OVERVIEW

i The detector is an optional accessory which can be purchased from your retailer.

i It is recommended that a hybrid line detector is used with this instrument for compatibility with both the red and green laser beams.



USING YOUR LASER

POWER SUPPLY

- The instrument is powered by four AA alkaline batteries.

BATTERY REPLACEMENT

- Remove the battery cover door and the batteries.
- Insert the batteries according to polarity and replace the battery door.


SET UP

- Select a place as close as practical to the work site. Ensure the location is clear of traffic.
- Place the instrument on a level surface such as a bench or mount.

OPERATION


- To turn the instrument on, slide the power / locking switch to the “on” position. Self levelling will commence and the horizontal beam will activate.
- If the instrument is outside the self levelling range the instrument will not level causing the laser beam to switch off and emit a beeping sound repeatedly. If this occurs, reposition the instrument onto a level surface until the instrument can level off.
- Press the *line mode* button on the control panel to cycle through the active beams.

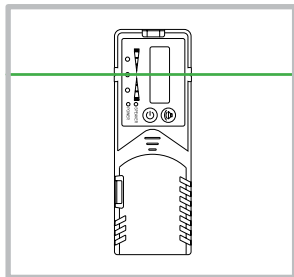
- To lock the beams in place, slide the power / locking switch to the ‘lock’ position. The instrument can now be tilted to the desired angle.

 When in the locked position the instrument will not self level and correct for vibrations and/or disturbances.

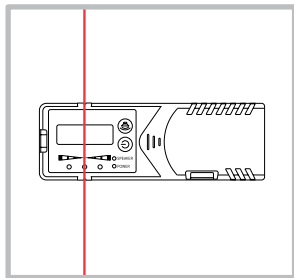
USING A DETECTOR

- Press the *pulse mode* button on the top of the instrument to enter into pulse mode.
- Switch the detector on by pressing the *power* button. The speaker will beep indicating the instrument is operating.
- Move the detector into the path of the laser beam.
- Press the *detection mode* button to alternate between fine and course detection.
- Hold the detector upright for horizontal beams. Rotate the detector 90° for vertical beams.
- The LED direction indicators will indicate the position of the laser beam. The centre LED will indicate alignment with the beam.

 The detector is an optional accessory which can be purchased from your retailer.



Detector position for horizontal beams



Detector position for vertical beams

TROUBLE SHOOTING

Error	Cause & Solution
Laser does not turn on	<ul style="list-style-type: none">▪ Check the batteries. They may be in the wrong way or need replacing.▪ Check the battery compartment for signs of damage. Ensure they are clean and not bent.
Laser does not remain on for long periods of use.	<ul style="list-style-type: none">▪ Check the batteries.▪ Check the battery compartment for signs of damage. Ensure they are clean and not bent.
Laser does not level off	<ul style="list-style-type: none">▪ Instrument may be outside its self levelling range. Adjust the instrument or tripod so it is level.▪ Instrument may have low power.▪ Instrument may have impact damage.

CARE AND MAINTENANCE

- This is a precision measuring instrument and should always be handled with care and transported within the carry case provided.
- Always slide the locking switch to the “off” position when transporting the instrument or moving around the job site.
- Whenever possible, store the instrument in a dry, shady location.
- Calibration of the instrument is recommended: every six months, if ongoing accurate levelling is required, or an impact has occurred.
- The operator should check the accuracy of the instrument before precision levelling is attempted. Failure to do so may result in inaccurate measurements.
- Clean the instrument with a dry, soft cloth after use in dusty, damp or wet conditions before storing.
- Smudges and fingerprints may be removed with a damp tissue or a soft, lint-free cloth.

WARRANTY

The Lasertec CL3 Hybrid comes with a 3 (three) year manufacturers warranty.

AUSTRALIA

“Our goods come with guarantees that cannot be excluded under the Australian Consumer Law. You are entitled to a replacement or refund for a major failure and for compensation for any other reasonably foreseeable loss or damage. You are also entitled to have the goods repaired or replaced if the goods fail to be of acceptable quality and the failure does not amount to a major failure.”

For more information please visit consumerlaw.gov.au

NEW ZEALAND

For more information please visit consumerprotection.govt.nz

CUSTOMER SUPPORT

To assist you with any queries or technical questions please contact customer support

Australia: 1300 658 338

New Zealand: 0800 367 527

SPECIFICATIONS

Specifications	Lasertec CL3 Hybrid
Product code	91220
Warranty	3 Years
Accuracy	±2mm at 10m
Operating range	50m (with optional detector)
Levelling range	±4°
Laser class	2 Red / 3 Green
Battery life	10 hours
Battery type	4x 1.5v AA
Vertical lines	2
Horizontal lines	1
IP rating	54
Weight (kg)	0.59
Dimensions (mm)	110 x 65 x 115



www.spoton.com.au