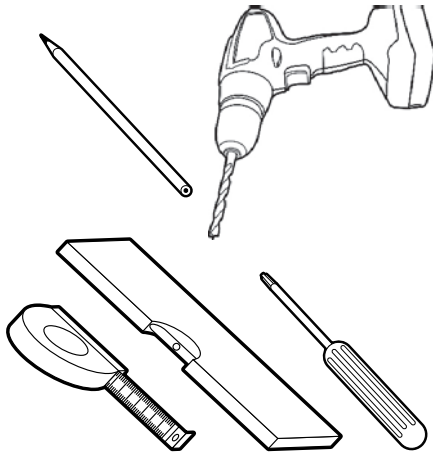


Elegance Installation Instructions

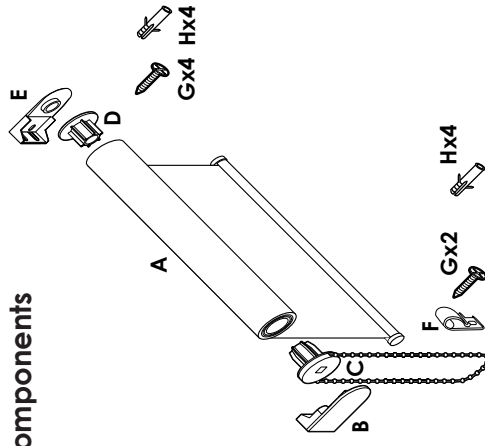
Tools Required



Use these tools for easy DIY installation.

- METAL TAPE MEASURE
- SPIRIT LEVEL
- PENCIL
- PHILIPS HEAD SCREW DRIVER
- 2mm DRILL BIT
- DRILL

Components



Before installation, always perform a check to ensure all blind parts and componentry is present.

Fixings Included



Screws for fitting to Architrave, Linetel/Wall or Ceiling Joist/Beam. Not suitable for fixing to brick or metal.

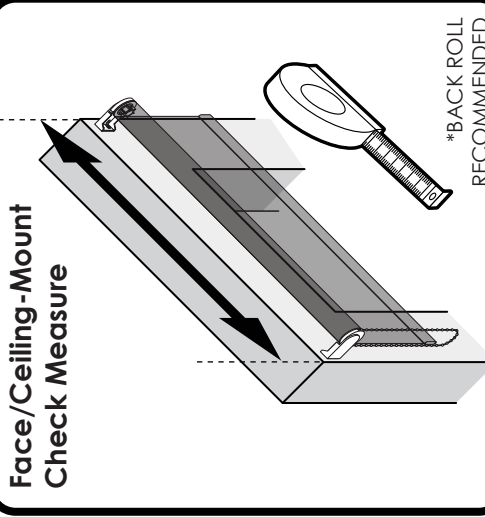


Plaster Plugs to be used in conjunction with screws when fitting to plaster.

NOTE: ALTERNATE FIXINGS ARE REQUIRED IF FITTING TO BRICK OR METAL DEPENDING ON YOUR SPECIFIC APPLICATION/LOCATION

Screws (G) have been provided for fixing brackets to architrave or timber frame. If fitting to plaster, use Plugs (H) provided.

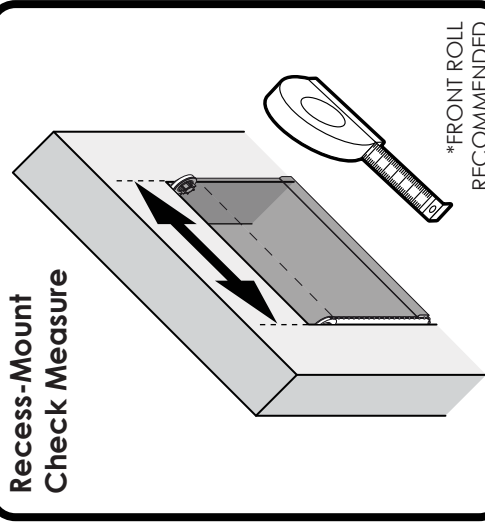
Face/Ceiling-Mount Check Measure



*BACK ROLL RECOMMENDED

Face Mounted blinds are fixed to either: Architrave, Linetel/Wall or ceiling above the window frame. Measure width to cover opening as shown above.

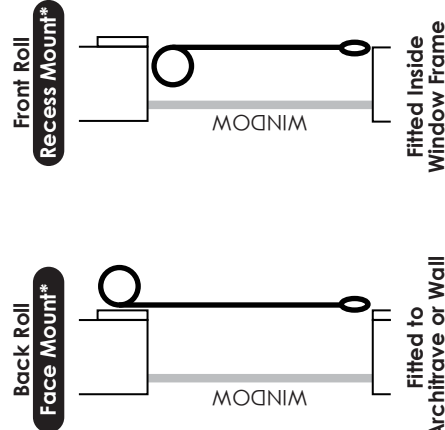
Recess-Mount Check Measure



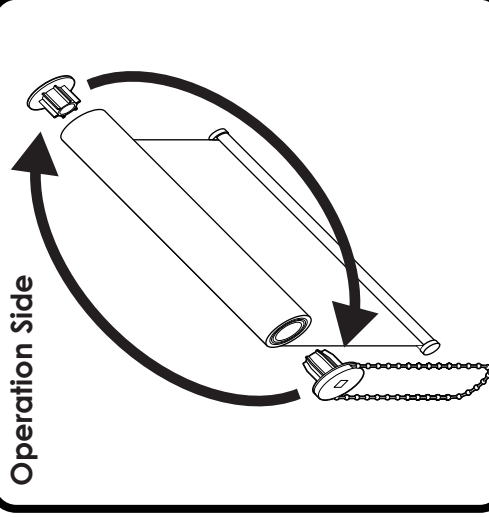
*FRONT ROLL RECOMMENDED

Recess Mounted blinds are fixed inside the window frame. Measure width to fill opening as shown above.

Fabric Roll Direction



Operation Side



The Chain Operation can be swapped from either left or right side depending on your application/location.

! WARNING

To avoid creating a possible strangulation hazard for children, the corded internal window covering must be installed in such a way that a loose cord cannot form a loop 220mm or longer at a height of less than 1600mm above floor level.

A cord guide may be installed lower than 1600mm above floor level if the cord is sufficiently secured or tensioned to prevent a loop 220mm or longer from being formed.

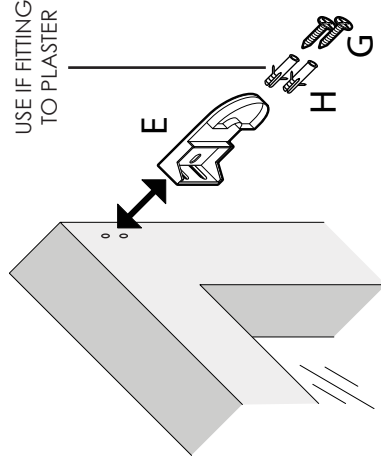
If a cord guide is installed lower than 1600mm above floor level it must be designed to prevent a child from being able to remove the cord.

If a cleat is used to secure the cord it must be at least 1600mm above floor level because a child is capable of unwinding a cord from a cleat.

Elegance Installation Instructions

ALWAYS MEASURE AND MARK LEVEL BRACKET POSITIONS BEFORE PRE-DRILLING PILOT HOLES

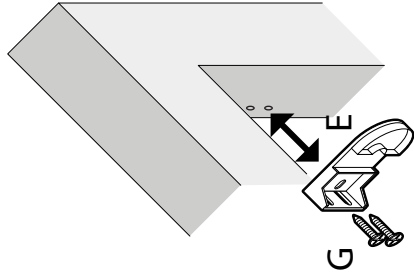
Face-Mount Installation



Secure to Architrave or Wall as shown above using screws provided. Use plaster plugs if fixing to wall.

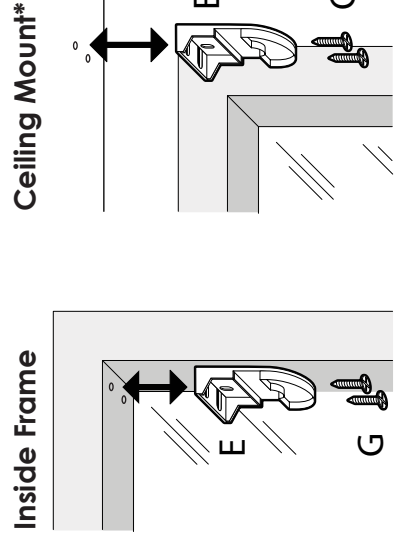
NOTE: ALTERNATE FIXINGS ARE REQUIRED IF FITTING TO BRICK OR METAL DEPENDING ON YOUR SPECIFIC APPLICATION/LOCATION

Recess Side-Mount Installation



Secure inside window frame as shown above using screws provided

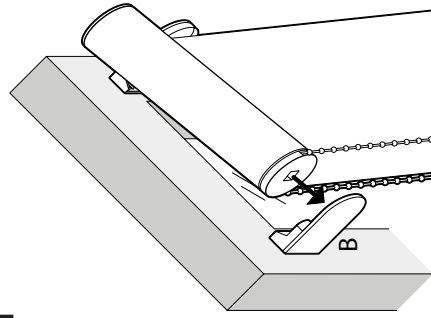
Top-Mount Installation



Secure to top of window frame or to ceiling as shown.

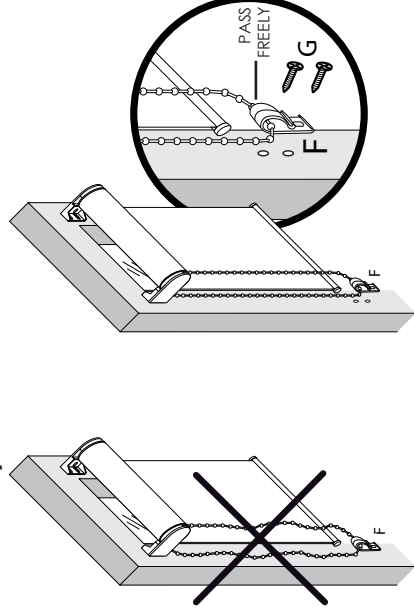
***NOTE: CEILING MOUNT MUST BE FIXED TO JOIST/BEAM FAILURE TO DO SO COULD RESULT IN DAMAGE AND/OR INJURY**

Insert Blind



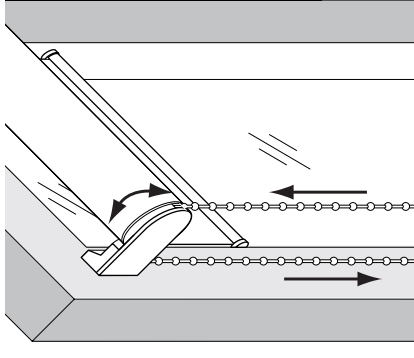
Insert mechanisms into tube on desired sides and insert into brackets.

Install Safety Device



Lightly tension ball chain and fit tension device securely to Architrave/Wall. Allow enough play for chain to pass through device freely.

Operation



Gently pull on the ball chain to raise or lower your blind to any height.



WARNING

To avoid creating a possible strangulation hazard for children, the corded internal window covering must be installed in such a way that a loose cord cannot form a loop 220mm or longer at a height of less than 1600mm above floor level.

Maintenance

Dust periodically. Use warm soapy water and soft cloth to clean if required.