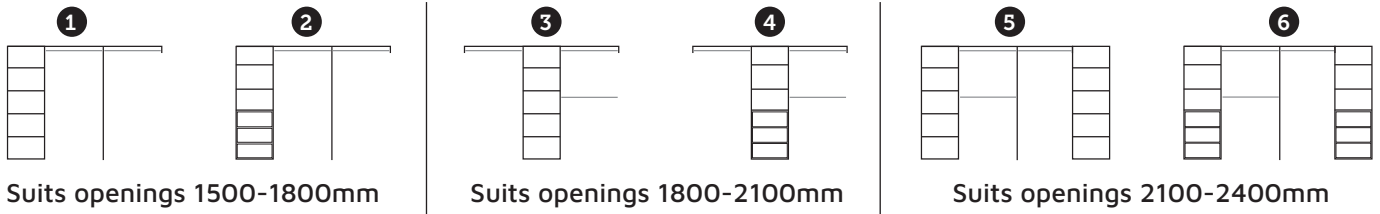


BUILT IN WARDROBE KIT INSTALLATION

These instructions cover installation of all 6 wardrobe configurations shown below choose the info that is appropriate for your package.



PREPARE THE WARDROBE SPACE

If there is skirting around the floor of your Wardrobe, you must first carefully remove the skirting. This will be cut to size and replaced later.

Tools Required: Tape Measure, Builders Square, Multi Function saw, Planner, Circular Saw, Sawhorses, Battery Driver, Battery Drill, Drills, Hammer, Chisel, Spirit Level, Caulking gun, Selleys No More Gaps

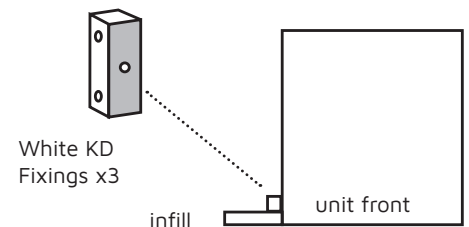
STEP 1. ASSEMBLE DRAWER/SHELF UNITS

Follow instructions included with your unit/s

IMPORTANT:

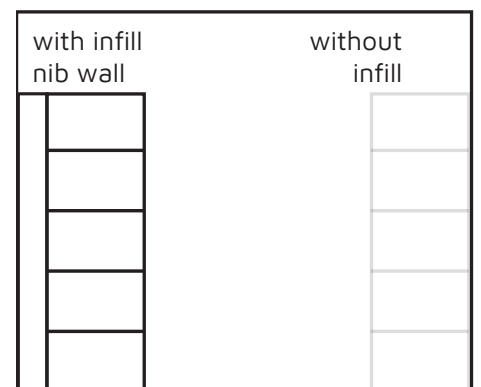
If you have nib walls, you may need to use the supplied infill panel to move the unit/s off the wall enough for the drawers to open freely. Attach infill panel to front of the unit gable using the white KD fittings.

Infill attachment - birds eye view



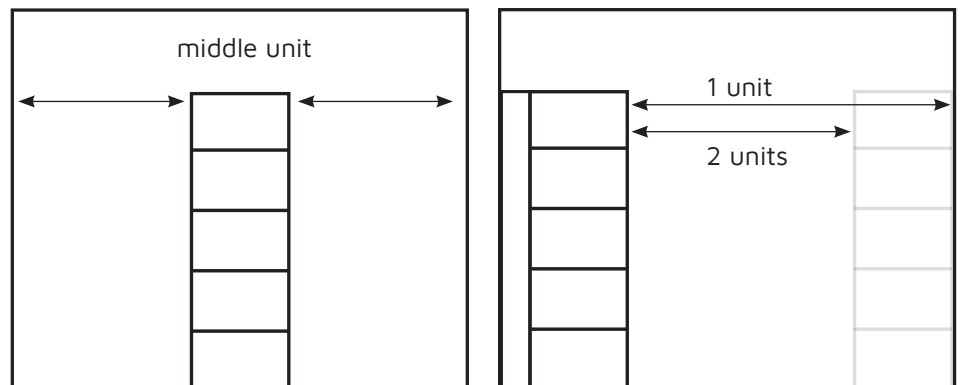
STEP 2: Place Assembled Unit/s into Wardrobe

Place the tower unit/s into wardrobe as per your configuration. Using your builders square make sure they are sitting square. No need to fix yet, this will be done later.



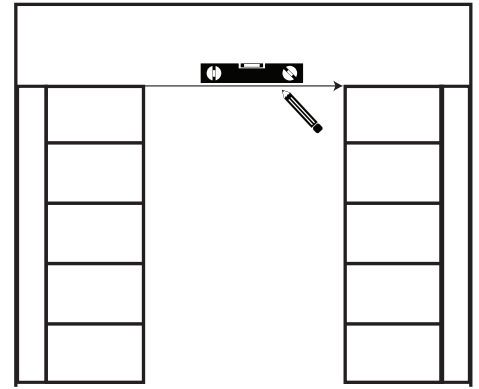
STEP 3: Measure Wall Batten Position

Measure the width from unit edge to back wall as shown on diagram. Mark the measurement on wall batten provided and cut to size.



STEP 4: Mark position of batten

Using a spirit level, mark a pencil line on the back wall from the top of unit to the corner of wardrobe or edge of 2nd unit. For 1 unit configurations continue around corner to the front of the wardrobe approximately 450mm



STEP 5: Fixing Batten

Using a Stud finder, locate studs for fixing.

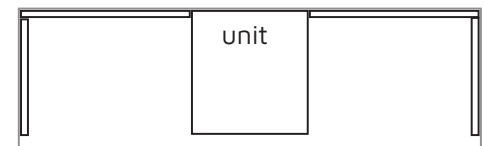
NOTE: If stud fixings points cannot be found you will have to use (Wall Mate or Wall Plug fixings).

Align wall batten with the pencil line marked on back wall and fix to wall using screws provided. Ensure batten is aligned with the top of the tower unit(s). If single unit, fix short batten to side wall.

Batten fix - birds eye view

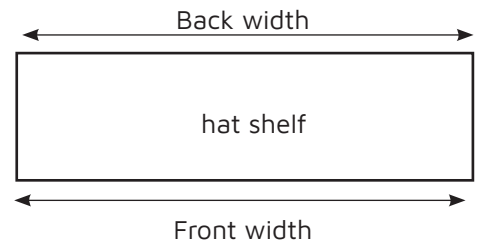


Middle unit



STEP 6: Measure and cut hat shelf to size

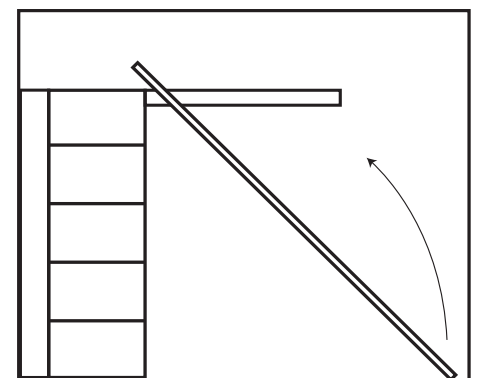
Measure full length of back wall and front of tower units. Using your builders square, check the corners for square. Mark hat shelf and cut to size.



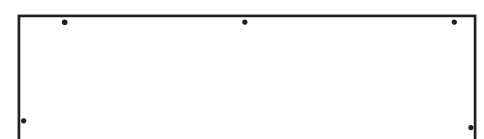
STEP 7: Place hat shelf onto units and wall battens.

NOTE: At this stage, depending on the internal height of your wardrobe. It may be necessary to remove 1 of the tower units to allow for the hat shelf to be installed .

Place the hat shelf on top of the unit and wall battens, once you are happy with fit you can fix in place. If you removed a tower unit first place back into wardrobe ensuring it sits square. Use your screw fixings, secure the hat shelf to the unit and the wall batten.



hat shelf fixings birds eye view

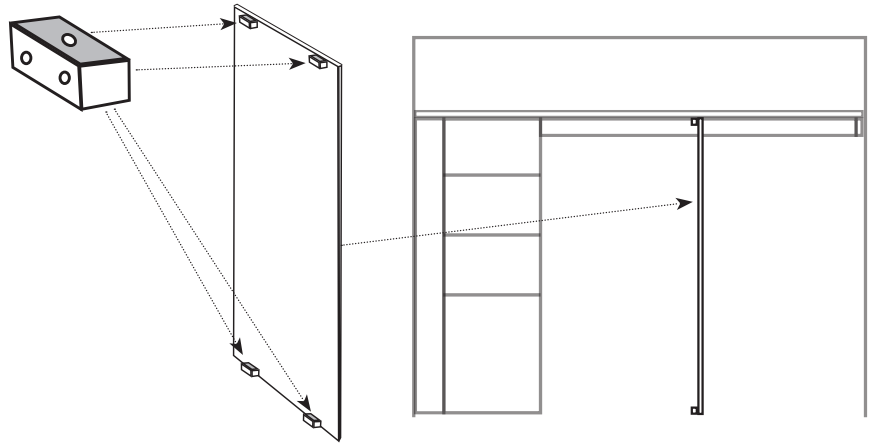


STEP 8: Fitting Divider (if applicable)

Attach the 4 off KD fixings to the top and bottom of the Divider.

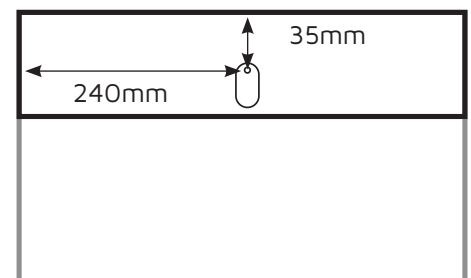
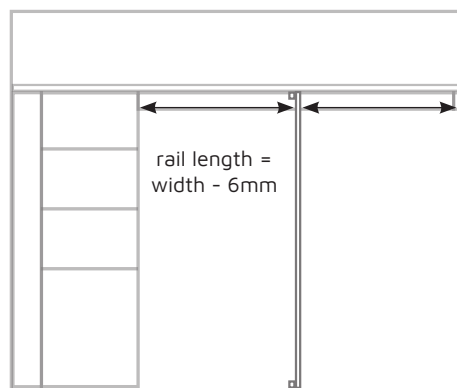
Place the Divider under the Hat Shelf, find centre between tower units and using fixings supplied fix to under side of hat shelf.

Using your level, plumb the divider and fix to floor.



STEP 9: Cut and Fit Hanging Rail/s

Measure distance between unit and divider or wall. Deduct 6mm from the measurement to allow for the support flange. Cut rail/s to size. Fix the flanges 35mm under the hat shelf this will be your top fixing screw and 240mm from the back. Place the hanging rail into the flanges



NB: If using the upgraded LED hang rail, DO NOT cut through the LED light –cut either side of the light to ensure correct operation.

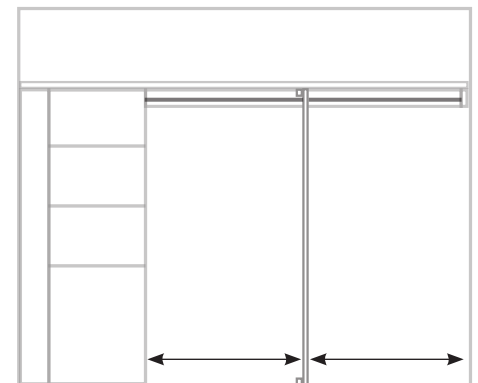
Step 10: Replacing Skirting

Measure between tower unit and Divider and cut skirting to suit. Refix to wall.

Step 11: Cleaning and gap filling

Firstly clean a surfaces with a suitable cleaner like Diggers Multi Purpose Cleaner. Using a caulking gun fill all gaps around the newly installed wardrobe. (See Video for hints and tips)

TIP – Use a spray bottle to spray a small amount of soapy water onto the recently applied gap filler. This will make it much easier to wipe down and clean off any excess filler.



Share your finished project photos with us, we'd love to see how your makeover looks!