

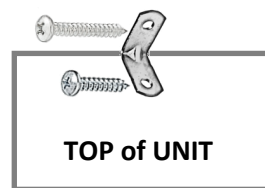
# ASSEMBLY INSTRUCTION FOR MAXI & MSM C16



**! WARNING:** Serious injury or death can be caused by toppling furniture

**Help prevent tip-over:**

- Anchor this product to a wall or other suitable surface
- Check anchors regularly
- Avoid placing TVs on top unless the TV is also anchored
- Use drawer locks to prevent children climbing



When attaching unit to wall put safety bracket in middle of unit with 16 Pan head screw then 25mm Pan head screw into wall.

For plasterboard without a stud it is recommended to use a plug with screw (not provided).

## PARTS IDENTIFICATION LIST

SIDE GABLES 2 OFF 1XLEFT HAND 1XRIGHT HAND (MARKED **A** **B**) 1650 x 445

**TOP (F), MIDDLE (E) AND BOTTOM (D) FIXED SHELVES**

MSM RANGE - 467 x 443  
MAXI RANGE - 575 x 443

**ADJUSTABLE SHELVES**

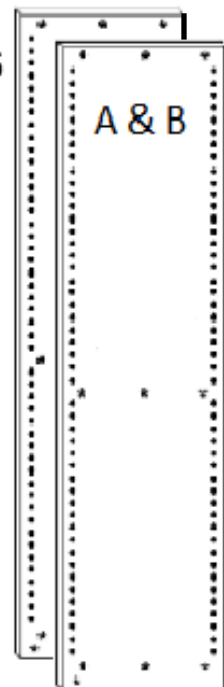
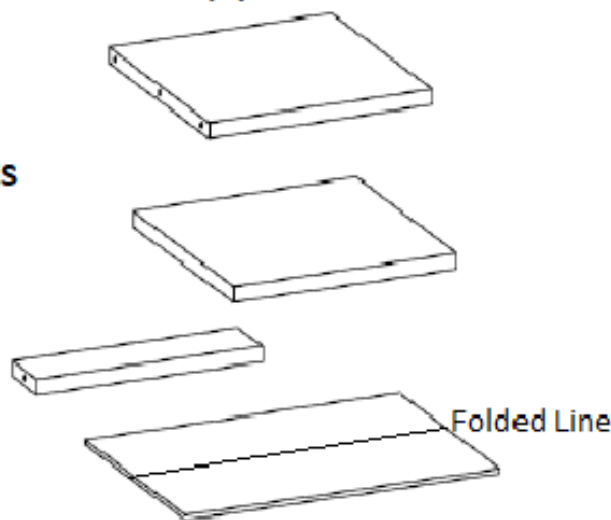
MSM RANGE - 467 x 443  
MAXI RANGE - 575 x 443









**KICK 1 OFF **C****

MSM RANGE - 467 x 60  
MAXI RANGE - 575 x 60

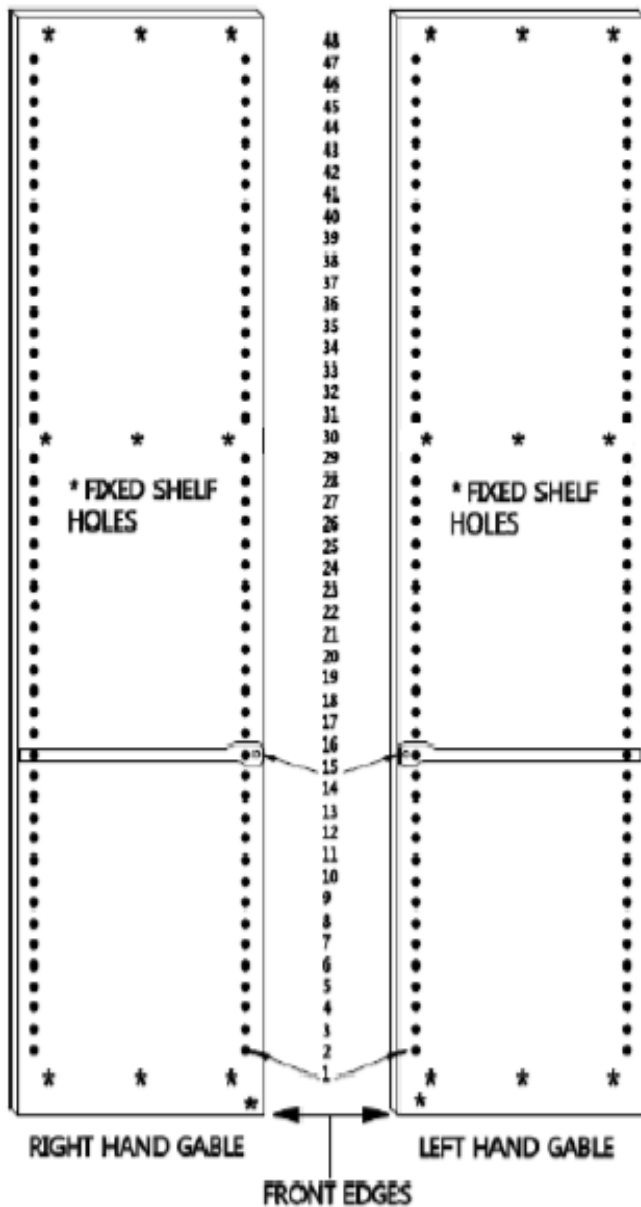
**BACK PANEL 1 OFF **G****

MSM RANGE - 1585 x 497  
MAXI RANGE - 1585 x 604

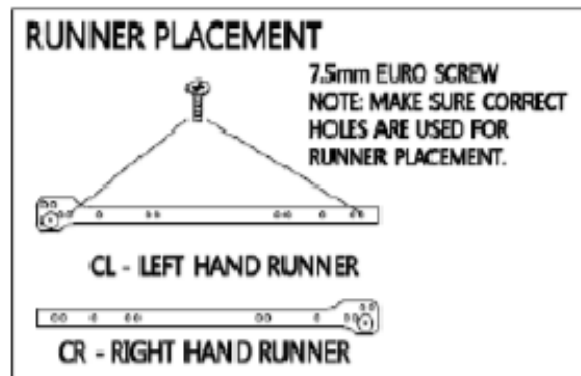


NO	MODEL	DESCRIPTION	QTY	NO	MODEL	DESCRIPTION	QTY
1		CONFIRMAT SCREWS	20	5		SHELF PINS	4
2		CAPS	20	6		BRACKETS	1
3		BACKING NAILS	75	7		BRACKET UNIT SCREW	1
4		HANDLES	5	8		BRACKET WALL SCREW	1

# STEP 1

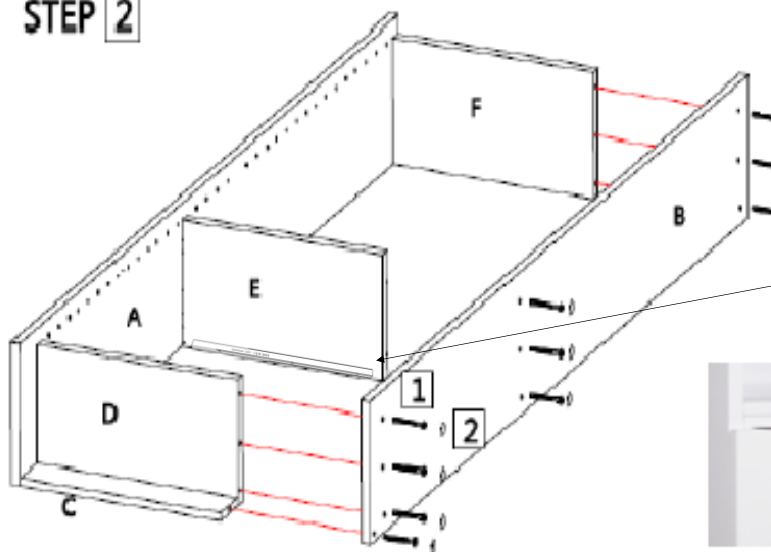


MSM - MAXI RANGE		
MODEL	RUNNER HOLE POSITIONS	FIXED SHELF HOLE POSITION
MAXI & MSM C16	1, 8, 15, 20, 25	30



PLACE METAL RUNNERS IN THEIR CORRECT HOLE POSITIONS (SEE ABOVE) MAKING SURE CL = LEFT HAND GABLE + CR = RIGHT HAND GABLE ATTACH USING THE 7.5MM EURO SCREW PROVIDED

## STEP 2



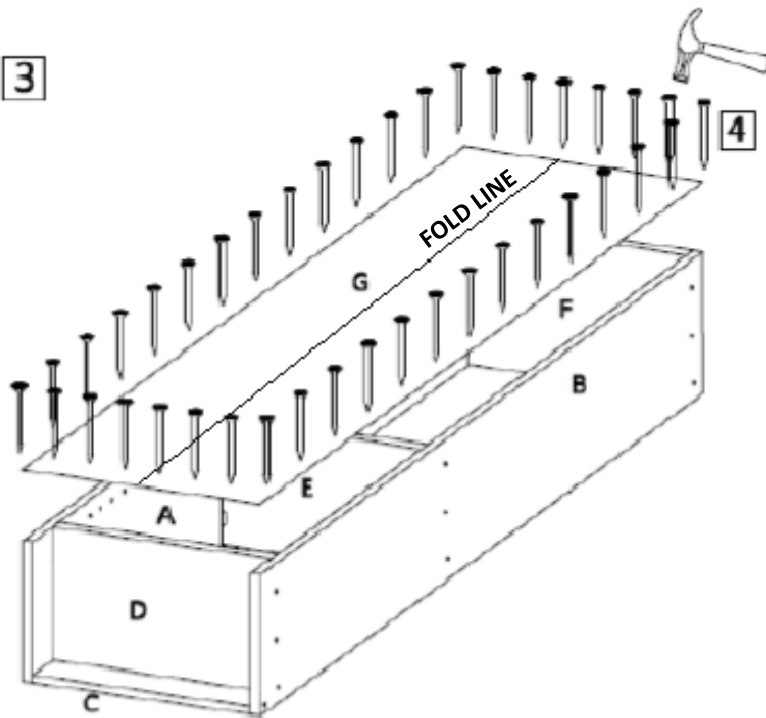
### INFILL STEP RETRIEVE FROM PART 2 OF 2

YOU WILL NEED TO RETRIEVE THE INFILL AND 3 X 30mm SCREW FROM PART 2, USING YOUR SCREWS PROVIDED, ATTACH THE INFILL TO THE UNDER-SIDE OF THE FRONT MIDDLE FIXED SHELF.



ALIGN FIXED SHELVES D, E, F + KICK BOARD C TO SIDE GABLES A+B. TIGHTEN ALL SCREWS AND CAP.

### STEP 3

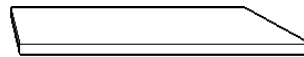


PROCEED TO UN-FOLD YOUR BACK BOARD AND PROCEED TO NAIL IT INTO POSITION MAKING SURE YOU ARE SQUARE AND ON THE EDGE AT ALL TIMES.

STAND YOUR UNIT UP AND PROCEED TO INSERT YOUR ADJUSTABLE SHELVING.

PUSH THE 4 SHELF PINS INTO THE HOLES PROVIDED (5) ON EITHER SIDE FOR YOUR SHELF TO SIT ON, THE BEST WAY TO DO THIS IS TO COUNT YOUR HOLES UP FROM THE BOTTOM SO YOUR SHELF WILL BE LEVEL.

YOU MAY CHOOSE WHERE YOU WOULD LIKE THESE TO SIT.



PROCEED TO PART 2  
FOR INSTRUCTIONS ON HOW TO  
ASSEMBLE YOUR DRAWERS