

We thank you for choosing an Australian Made Shed. For further assistance please visit our detailed instructional video library at [Http://www.abscosheds.com.au/watch-videos](http://www.abscosheds.com.au/watch-videos)

At ABSCO Industries we are always looking to be number ONE, so please let us know what you think of our instructions. Feedback makes us better.  
[feedback@abscos.com.au](mailto:feedback@abscos.com.au)

### GENERAL INSTRUCTIONS

- Before commencing any assembly, read through these instructions in detail to gain a thorough understanding of assembly methods and associated details.
- Unpack the carton and carefully identify and check off all the parts against the parts described and illustrated on pages three and four.

### SITE PREPARATION

- The site for the shed must be level.
- It is recommended that the shed be set on a 100mm concrete slab and anchored down appropriately (refer page 16 for details).
- Anchor sets are not supplied as standard items with this product.

### TOOLS REQUIRED



3mm  
4mm



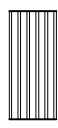
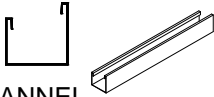
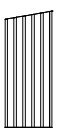
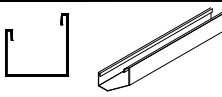
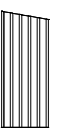

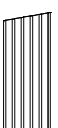
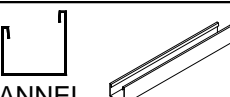
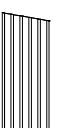
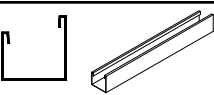
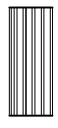
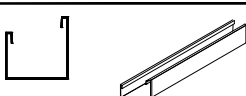
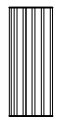
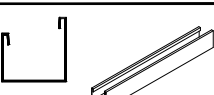
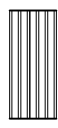
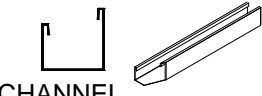
OPTIONAL

### A NOTE ON SAFETY

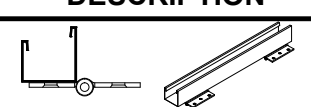
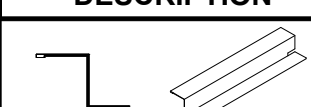
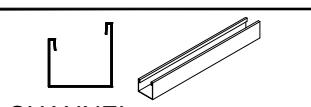
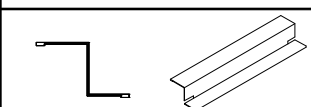
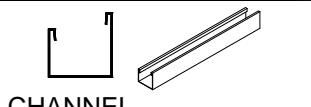
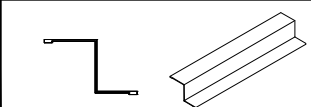
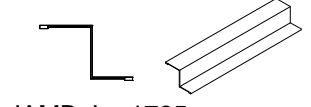
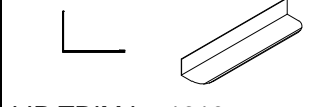

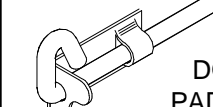
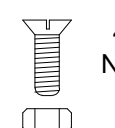
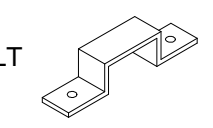

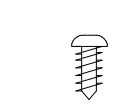
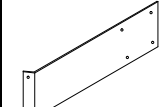
- Some parts may have sharp edges. It is advisable to wear gloves when handling these items and safety glasses if drilling holes. Sensible shoes are highly recommended.
- Do not erect your shed in windy conditions, ensure that the shed is securely anchored to a solid foundation immediately after construction is completed.
- It is highly recommended to erect the shed with two or more people.



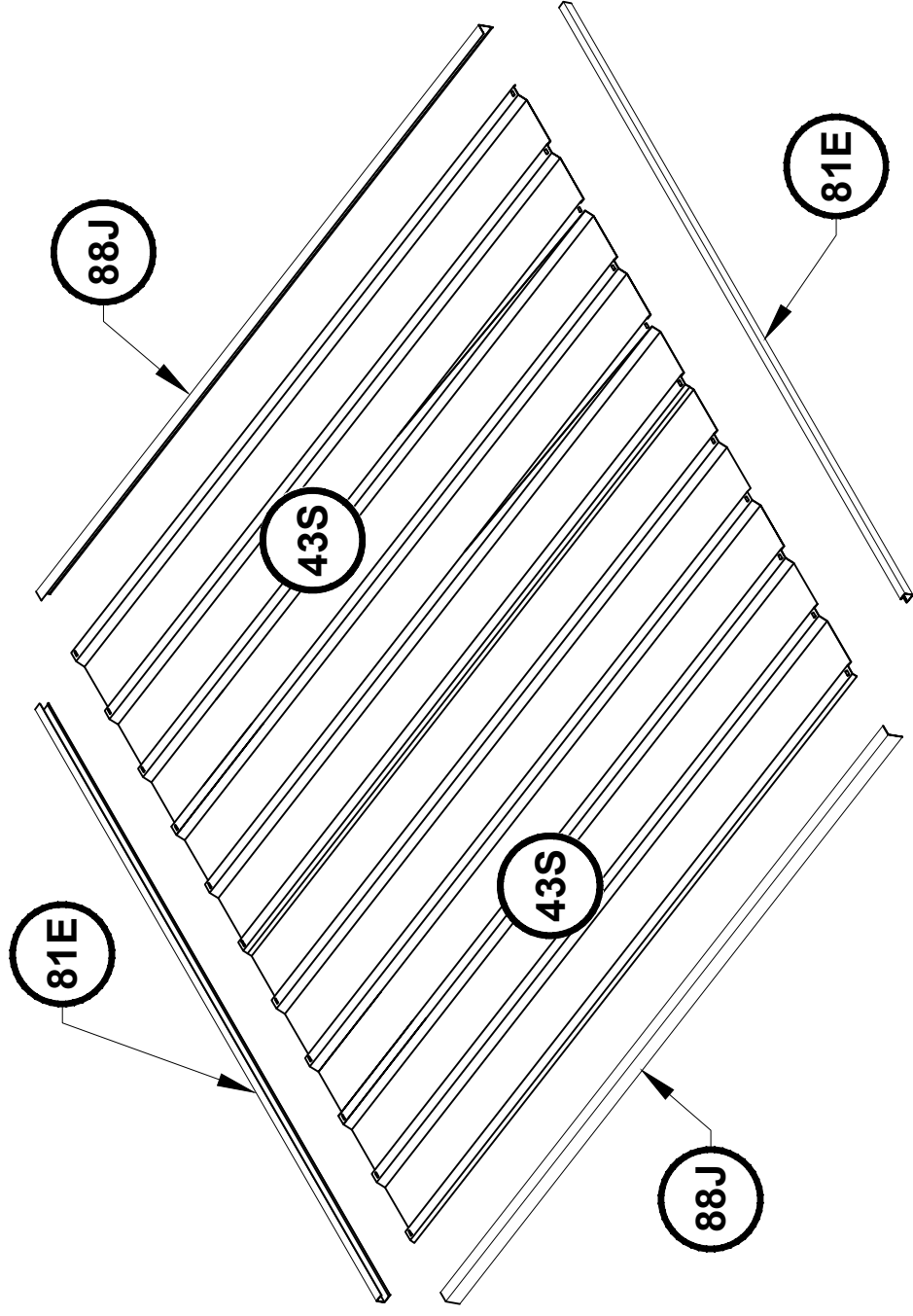
**COMPONENTS PACKING LIST - CHECK OFF ALL COMPONENTS**

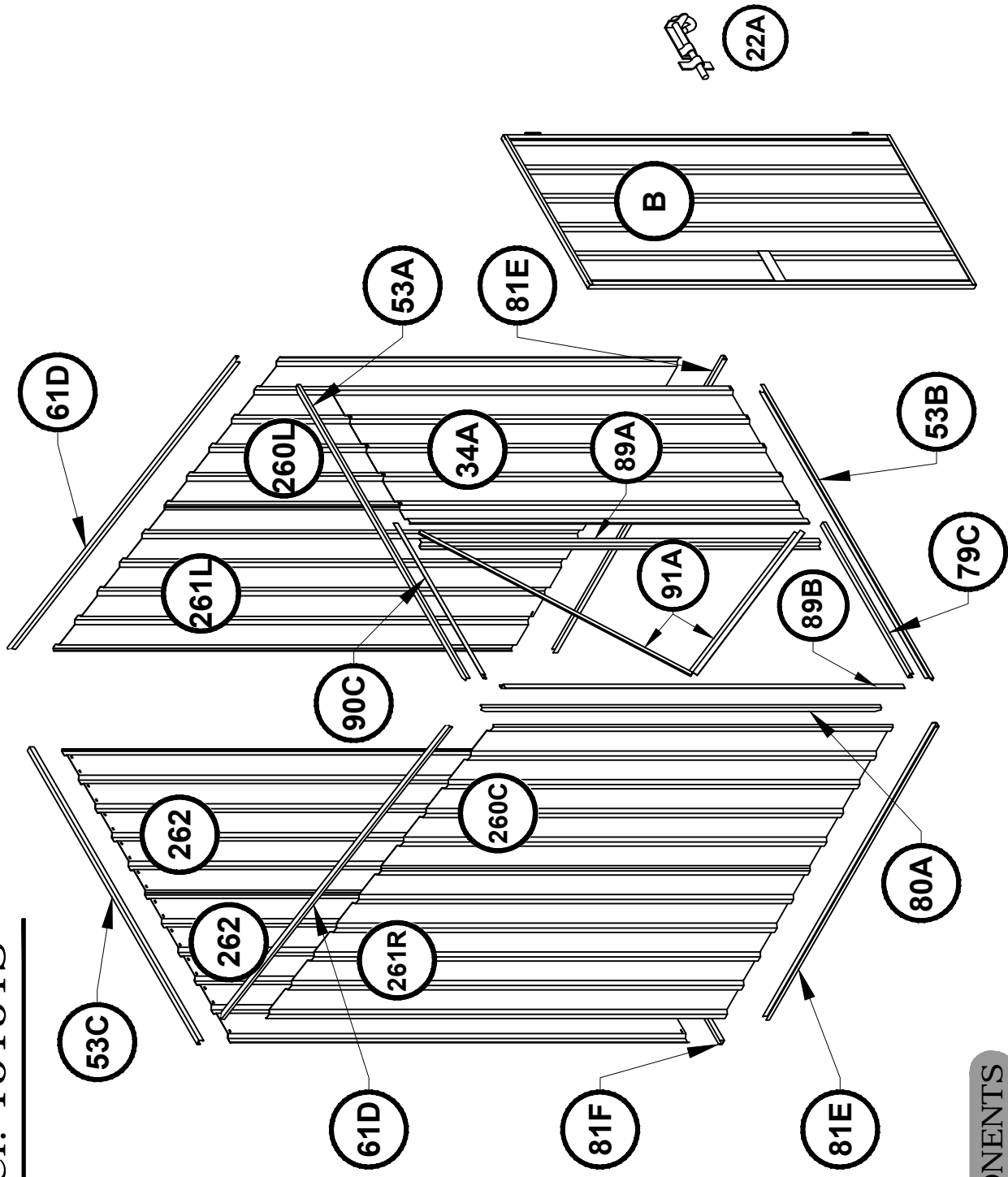
QTY	COMPONENT DESCRIPTION	PART No.	CHECK	QTY	COMPONENT DESCRIPTION	PART No.	CHECK
<b>2</b>	 STEEL SHEET 2045 X 773mm	262		<b>1</b>	 CHANNEL L = 1513mm	53B	
<b>1</b>	 STEEL SHEET 1915mm X 773mm	260L		<b>1</b>	 CHANNEL L = 1513mm	53C	
<b>1</b>	 STEEL SHEET 1915mm X 773mm	260C		<b>1</b>	 CHANNEL L = 1513mm	81F	
<b>1</b>	 STEEL SHEET 2045mm X 773mm	261L		<b>4</b>	 CHANNEL L = 1513mm	81E	
<b>1</b>	 STEEL SHEET 2045mm X 773mm	261R		<b>1</b>	 CHANNEL L = 1785mm	80A	
<b>2</b>	 STEEL SHEET 1610mm X 773mm	43S		<b>2</b>	 CHANNEL L = 1530mm	61D	
<b>1</b>	 STEEL SHEET 1785mm X 711mm	34A		<b>1</b>	 CHANNEL L = 783mm	79C	
<b>1</b>	 STEEL SHEET 1725mm X 773mm	B					
<b>1</b>	 CHANNEL L = 1513mm	53A					

**COMPONENTS PACKING LIST - (CONT.) CHECK OFF ALL COMPONENTS**

QTY	COMPONENT DESCRIPTION	PART No.	CHECK	QTY	COMPONENT DESCRIPTION	PART No.	CHECK
<b>1</b>	 CHANNEL WITH HINGES L = 1725mm	<b>58A</b>		<b>1</b>	 JAMB L= 1785mm	<b>89B</b>	
<b>1</b>	 CHANNEL L = 1725mm	<b>58B</b>		<b>1</b>	 JAMB L= 783mm	<b>90C</b>	
<b>2</b>	 CHANNEL L = 773mm	<b>58C</b>		<b>2</b>	 JAMB L= 1120mm	<b>91A</b>	
<b>1</b>	 JAMB L= 1785mm	<b>89A</b>		<b>2</b>	 LIP TRIM L= 1610mm	<b>88J</b>	
<b>CONTENTS OF FITTINGS PACKET</b>							
<b>220</b>	 SELF TAPPING SCREWS (10mm)			<b>1</b>	 DOOR PADBOLT	<b>22A</b>	
<b>6</b>	 4mm CSK SCREW & NUT SECURE HINGES TO DOOR			<b>1</b>	 DOOR PADBOLT HASP		
<b>1</b>	ASSEMBLY INSTRUCTIONS			<b>6</b>	 3mm POP RIVETS SECURE HINGES TO DOOR (ALTERNATIVE FIXING METHOD)		
<b>6</b>	 SELF TAPPING SCREW (20mm)			<b>1</b>	 DOOR STRAP L: 165mm	<b>12A</b>	

VIEW OF ROOF COMPONENTS

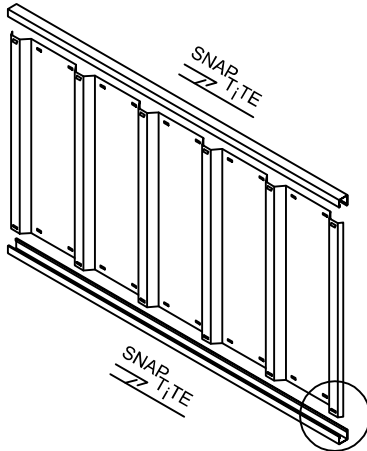




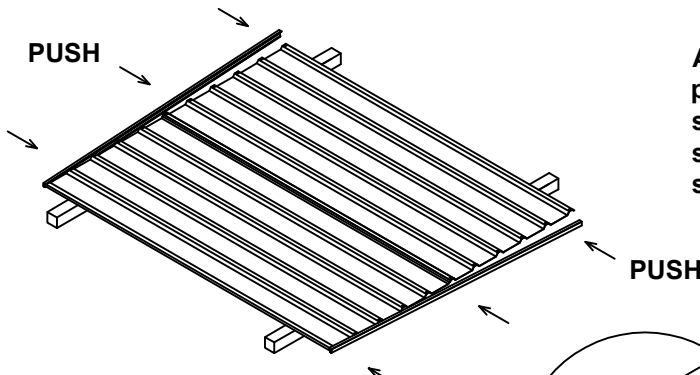
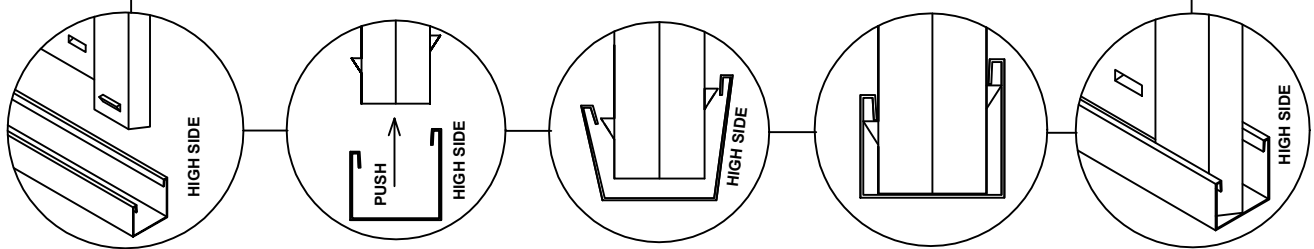
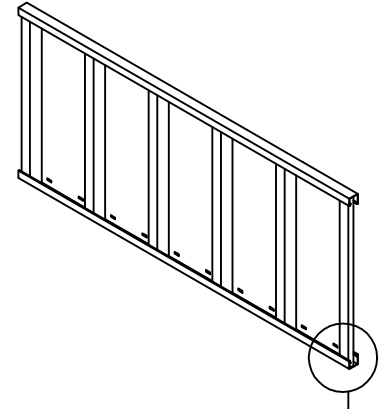
**VIEW OF WALL COMPONENTS**

### ABSCO ASSEMBLY INTRODUCTION

The snap-tite assembly system locks most perimeter channels to all roof and wall sheets without the need for tools and fasteners.



To pre-assemble the four wall panels and two roof panels, the perimeter channels are secured to the top and bottom of each panel using the snap-tite system, as detailed on the following pages wherever you see the symbol.






After joining sheets together, position channel over one end of the sheets, gently tapping it over the snap-tite lugs, working along the sheets to the other end.


Position sheets on timbers, trestles or partly over edge of concrete slab.

Each perimeter channel must finish flush with the edges of the sheets. the snap-tite system allows adjustment for this process by simply tapping the channel along the sheets until each end is neatly flush.

### FASTENING SYMBOLS

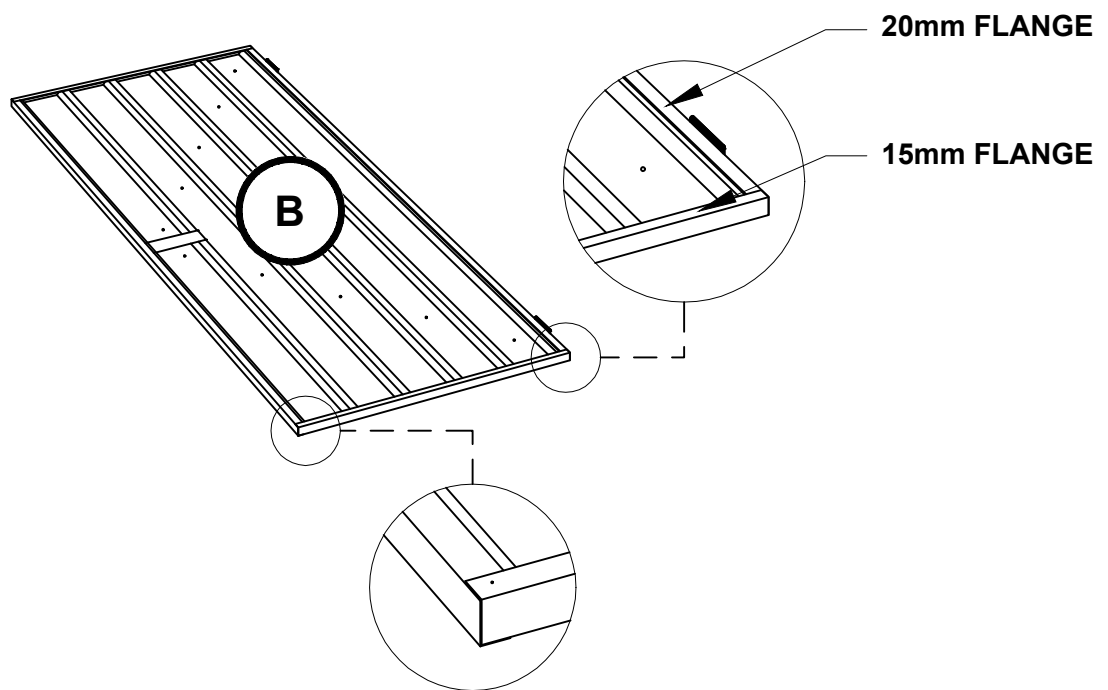
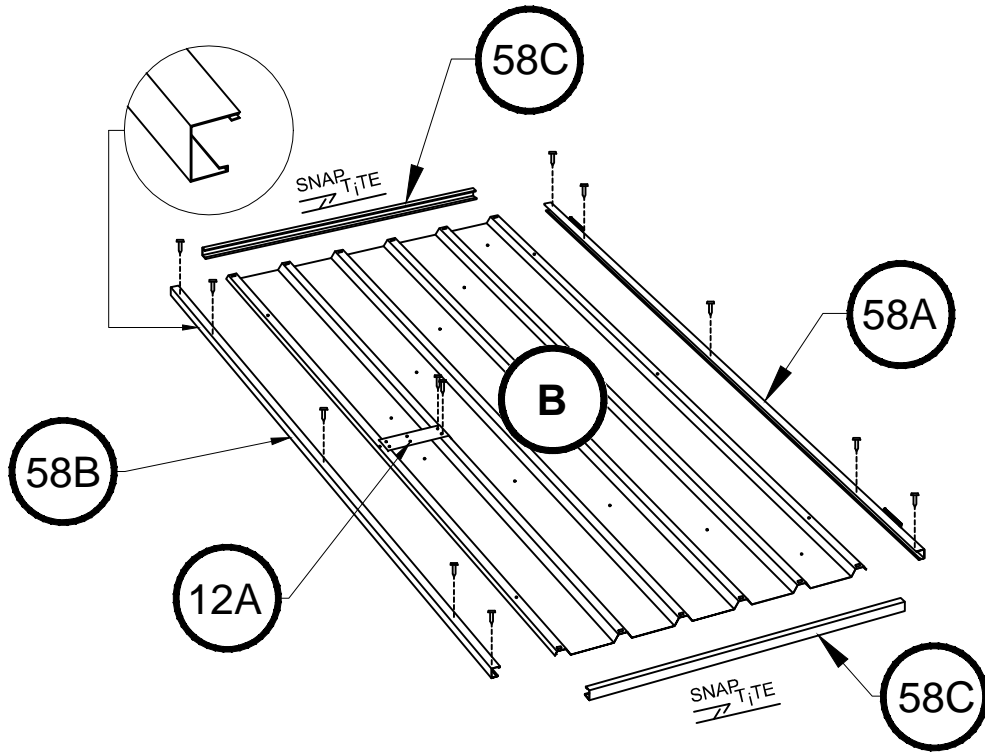
 Join components together with one screw at this location only, as some channel sections have extra holes that are not required for this model of garden shed

 3mm POP RIVETS  
 4mm NUT & BOLT SET

 Do not join components together at this location yet, as the screw may obstruct further assembly of other components

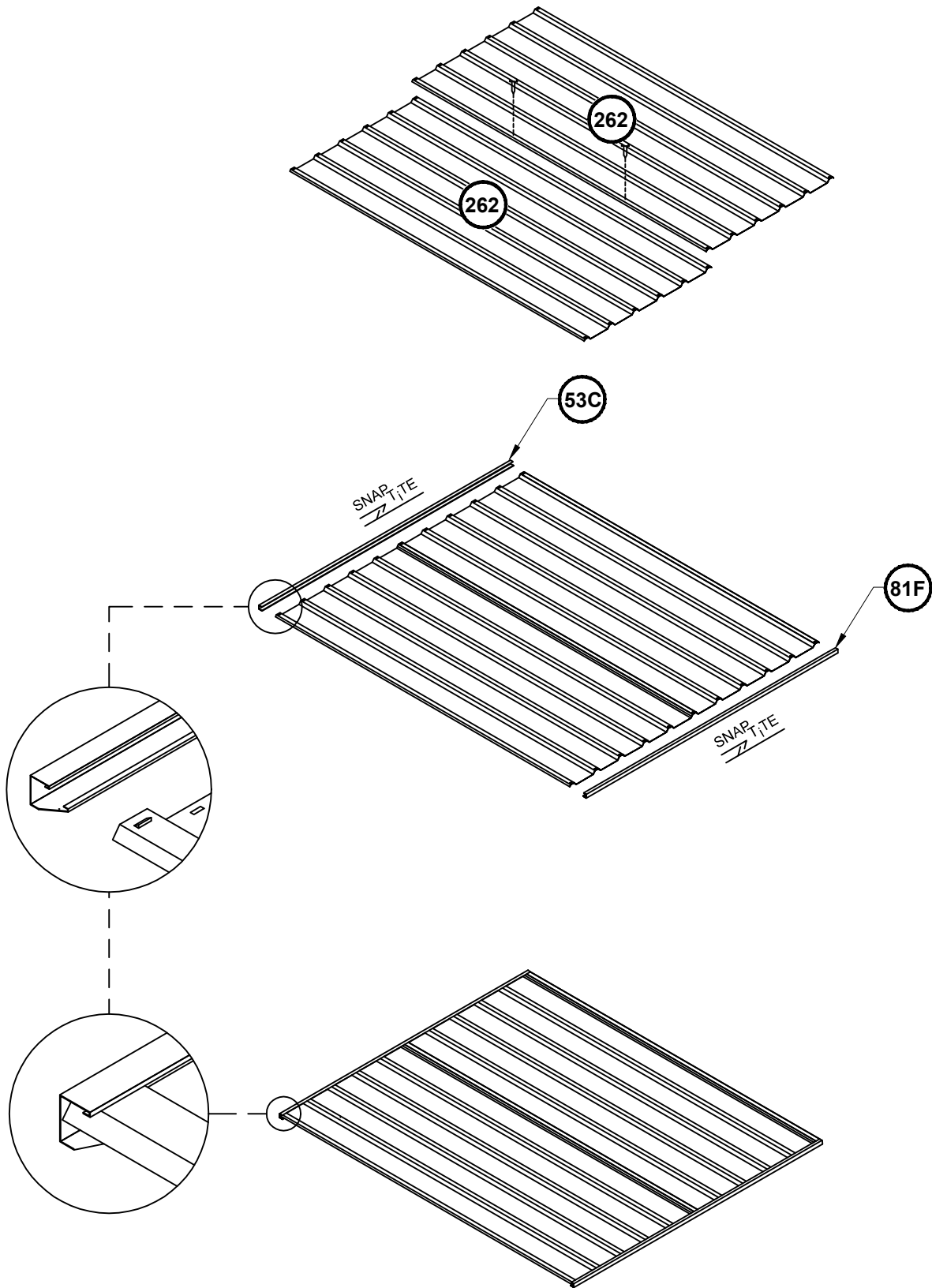


### DOOR PANEL ASSEMBLY



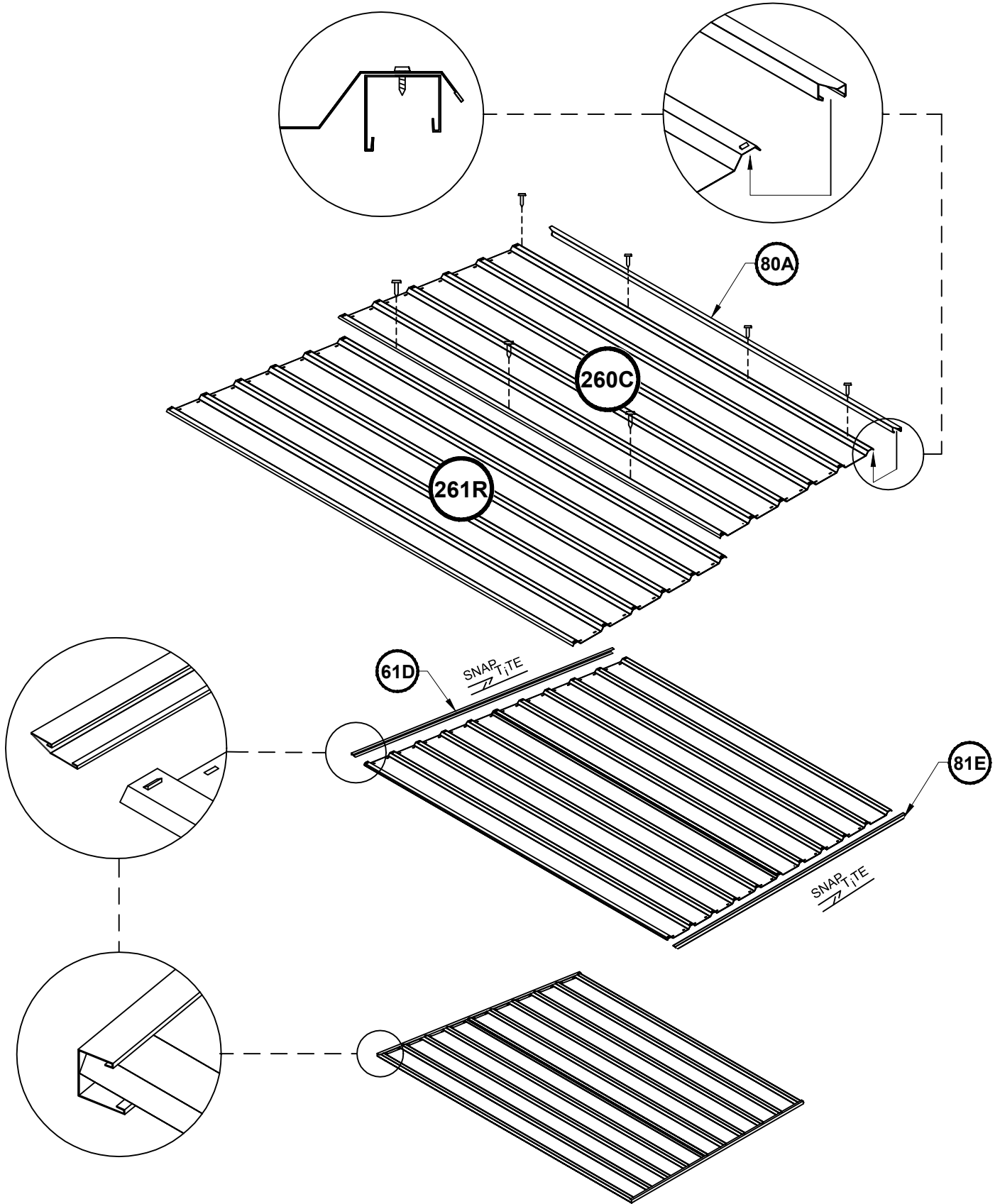


REAR PANEL ASSEMBLY



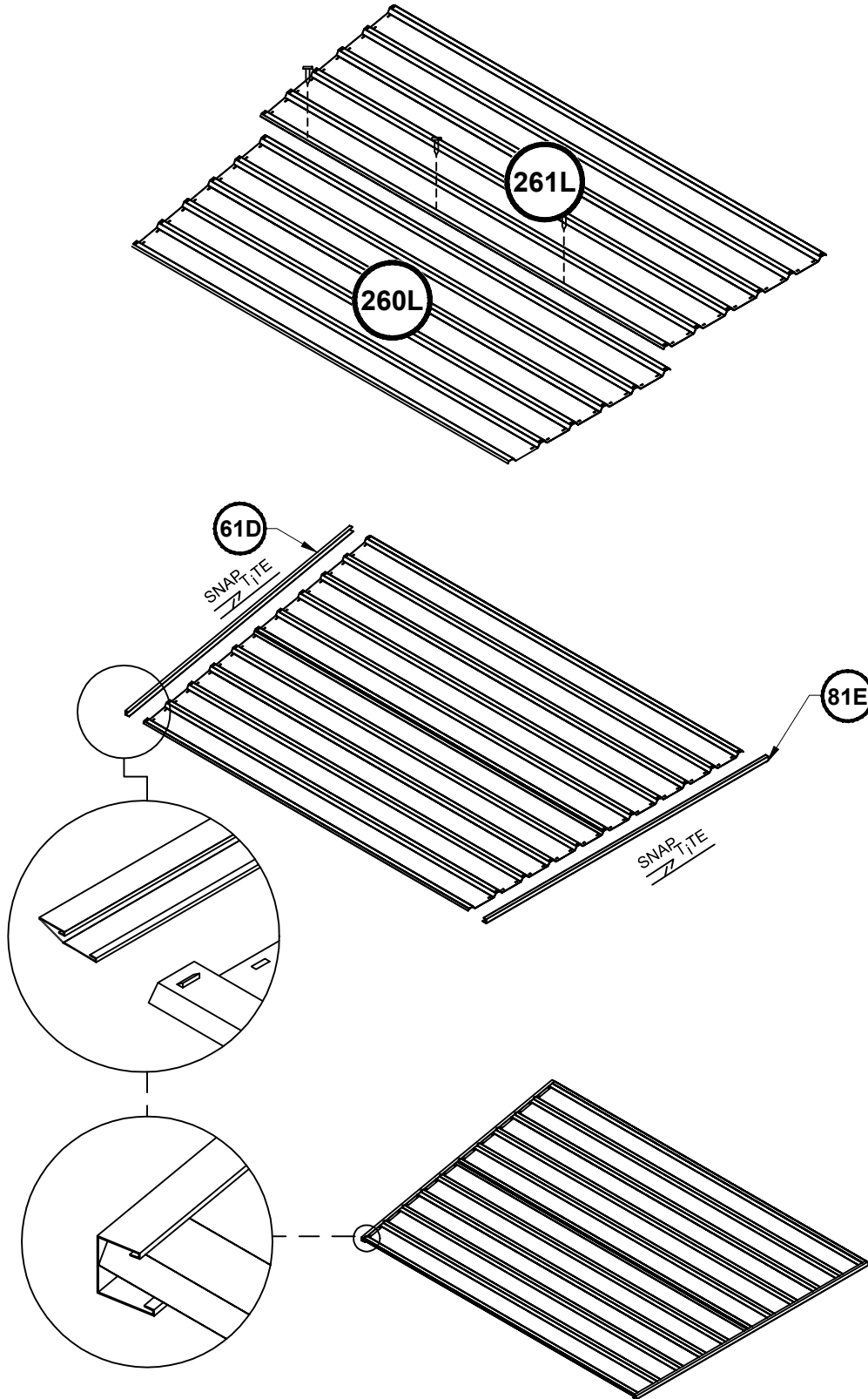
**SIDE PANEL ASSEMBLY**

(WITH DOOR MULLION (80A) ATTACHED)

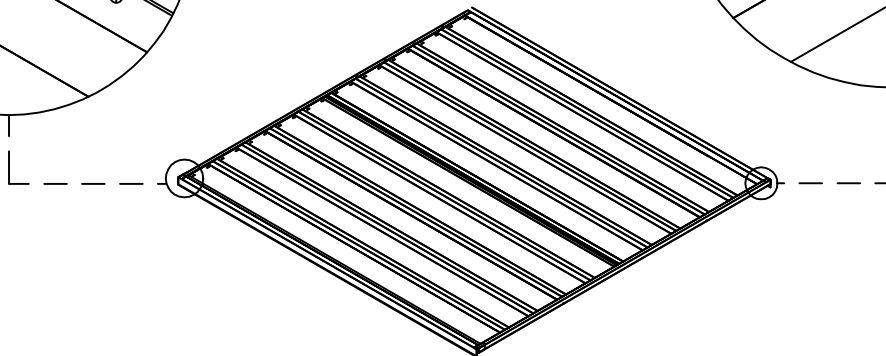
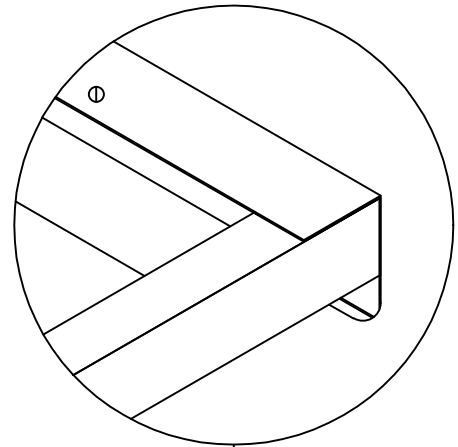
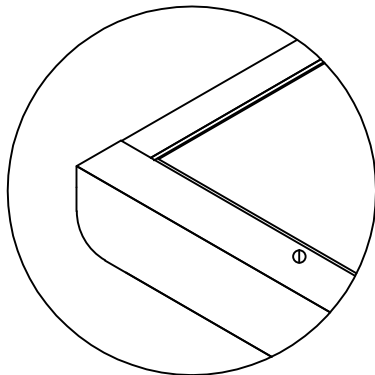
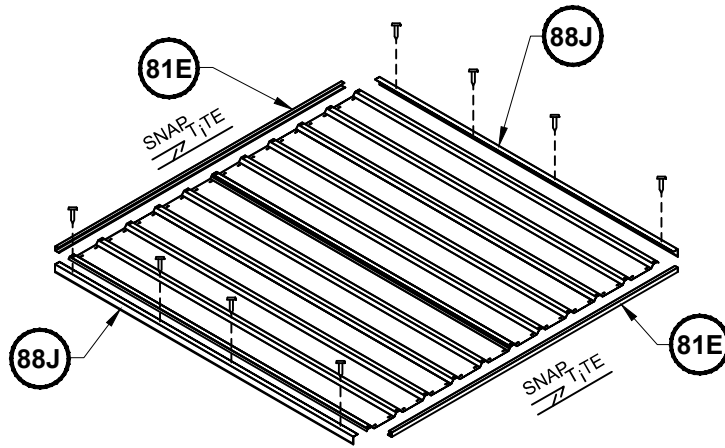
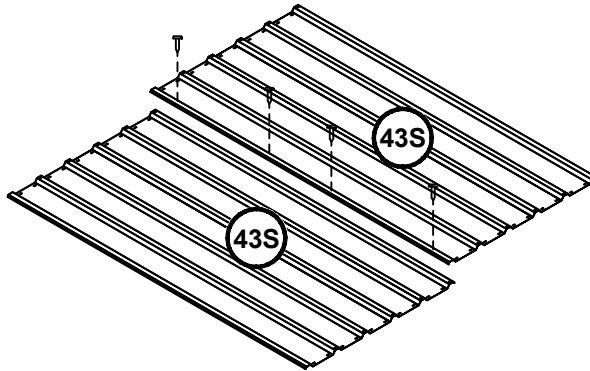


**SIDE PANEL ASSEMBLY**

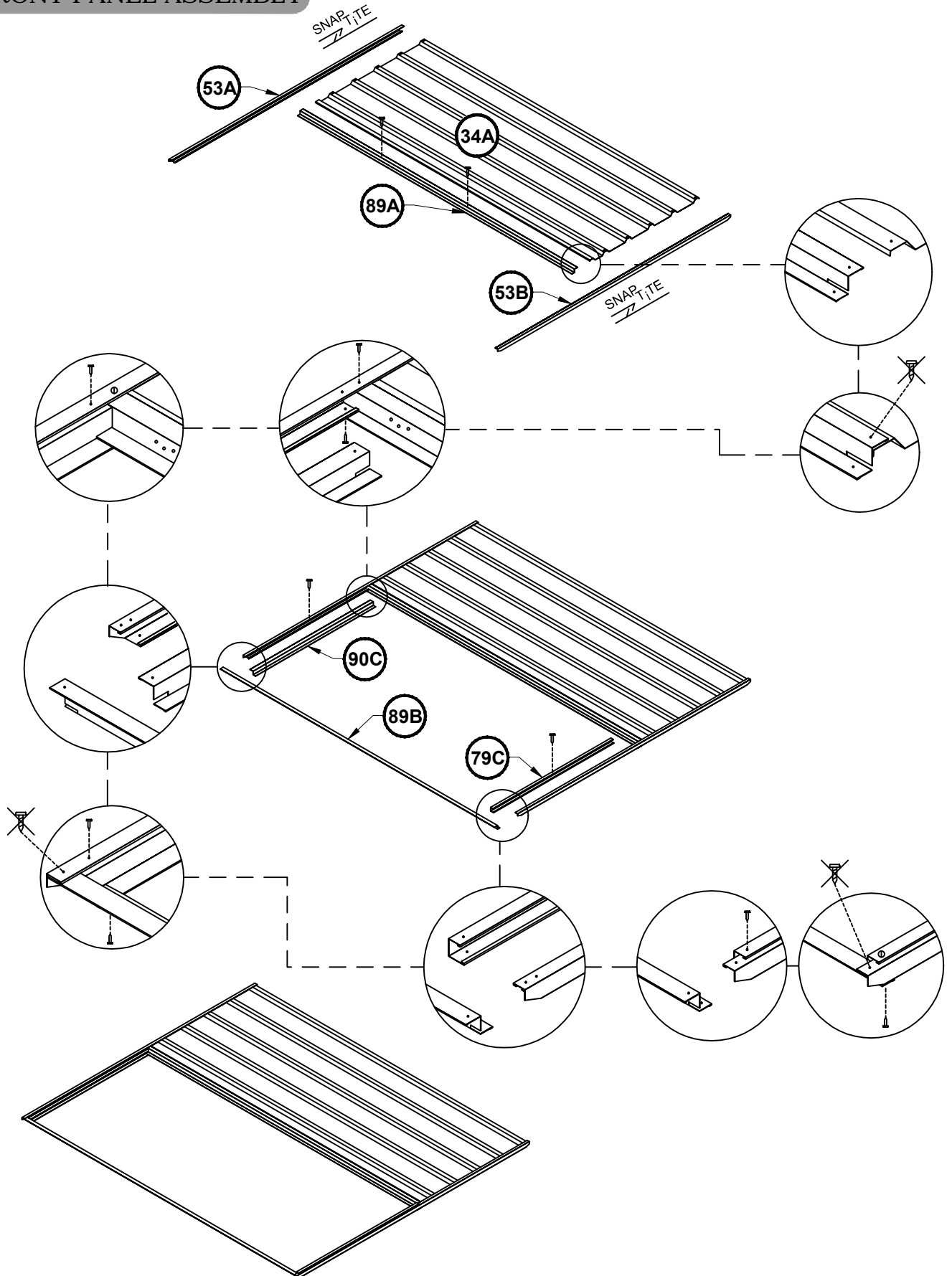
(WITHOUT DOOR MULLION ATTACHED)



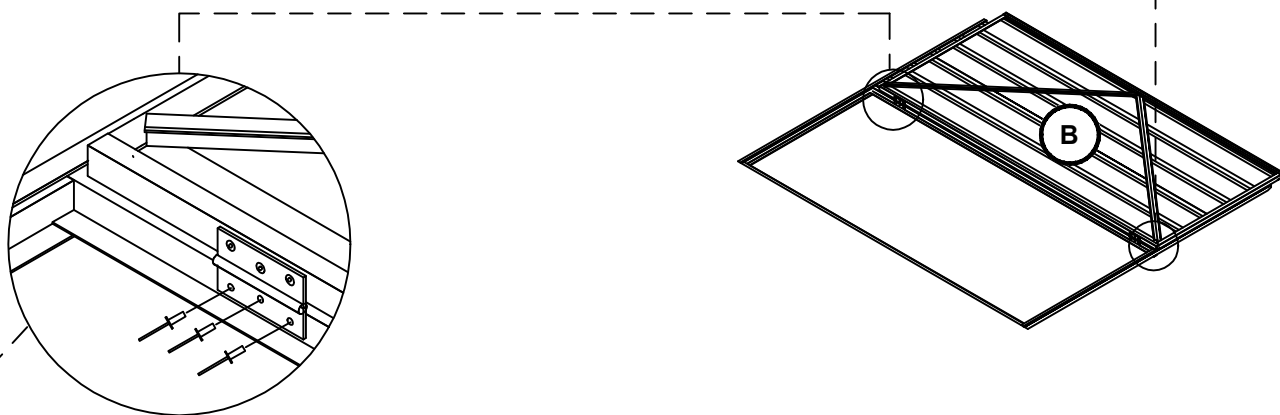
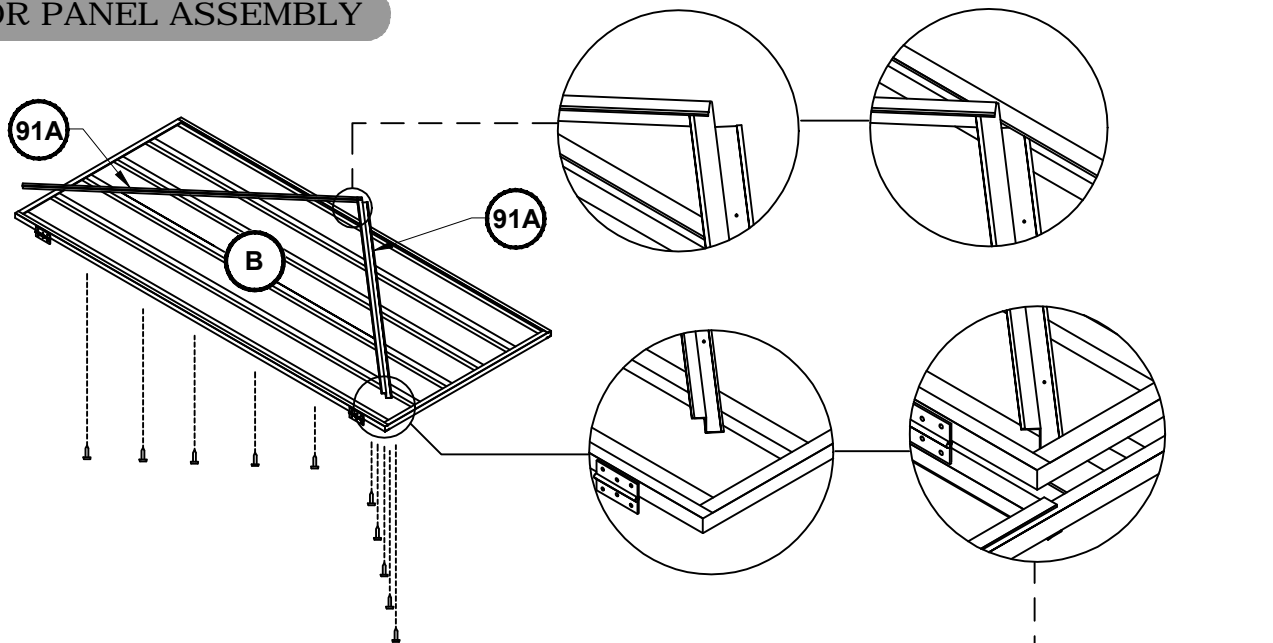
ROOF ASSEMBLY



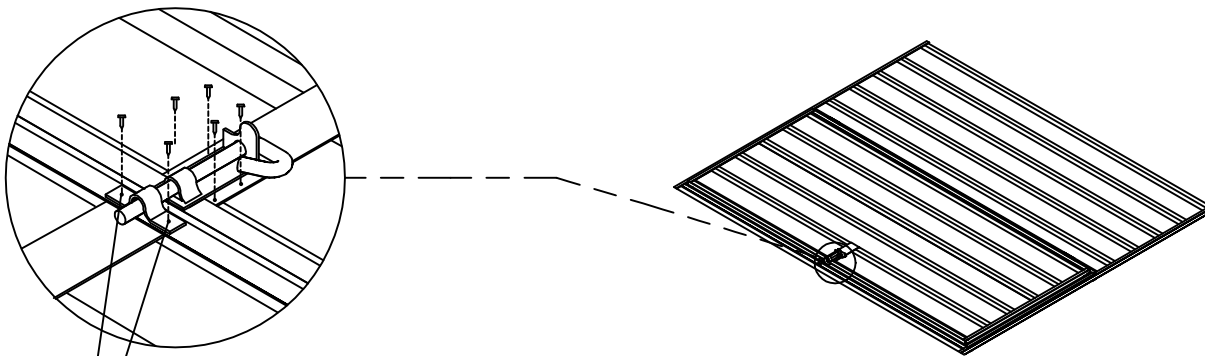
### FRONT PANEL ASSEMBLY



### DOOR PANEL ASSEMBLY



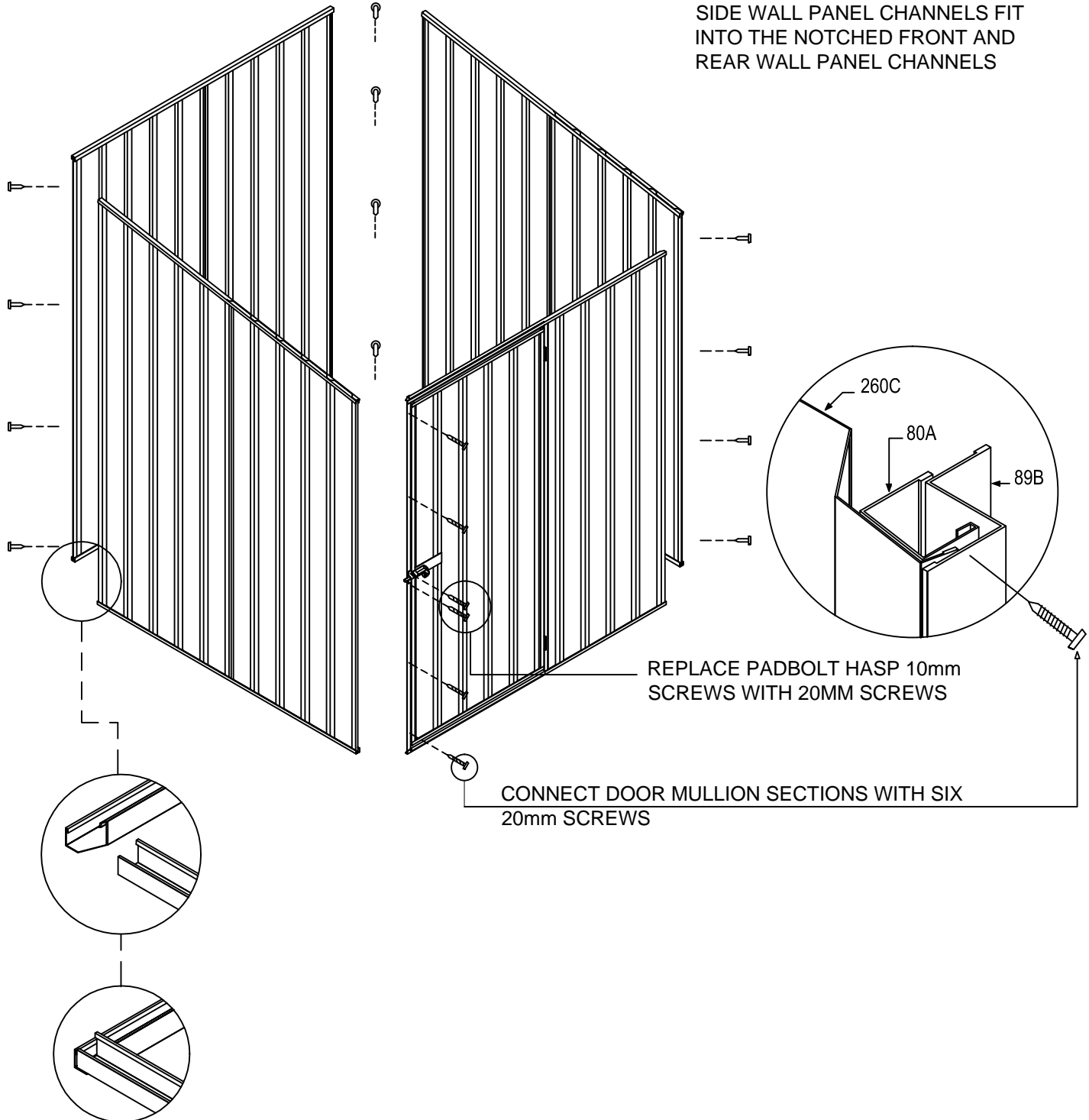
NOTE: NUTS AND BOLTS (SUPPLIED) MAY BE USED INSTEAD OF POP RIVETS (SUPPLIED) BY SIMPLY ENLARGING THE HINGE HOLE SETS IN THE JAMB USING A 4MM DRILL BIT



NOTE: The two holes required to connect the padbolt hasp for each door have not been pre-punched, to allow for proper alignment. position each hasp centrally over the padbolt shaft, and drill 3mm holes and secure with screws

**PANEL CONSTRUCTION**

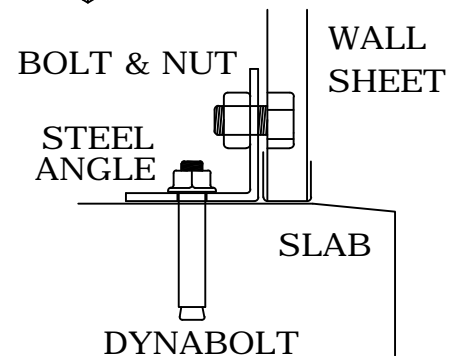
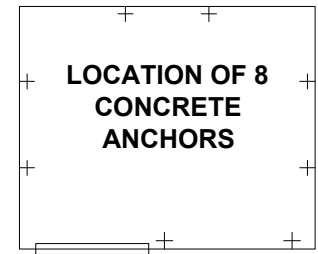
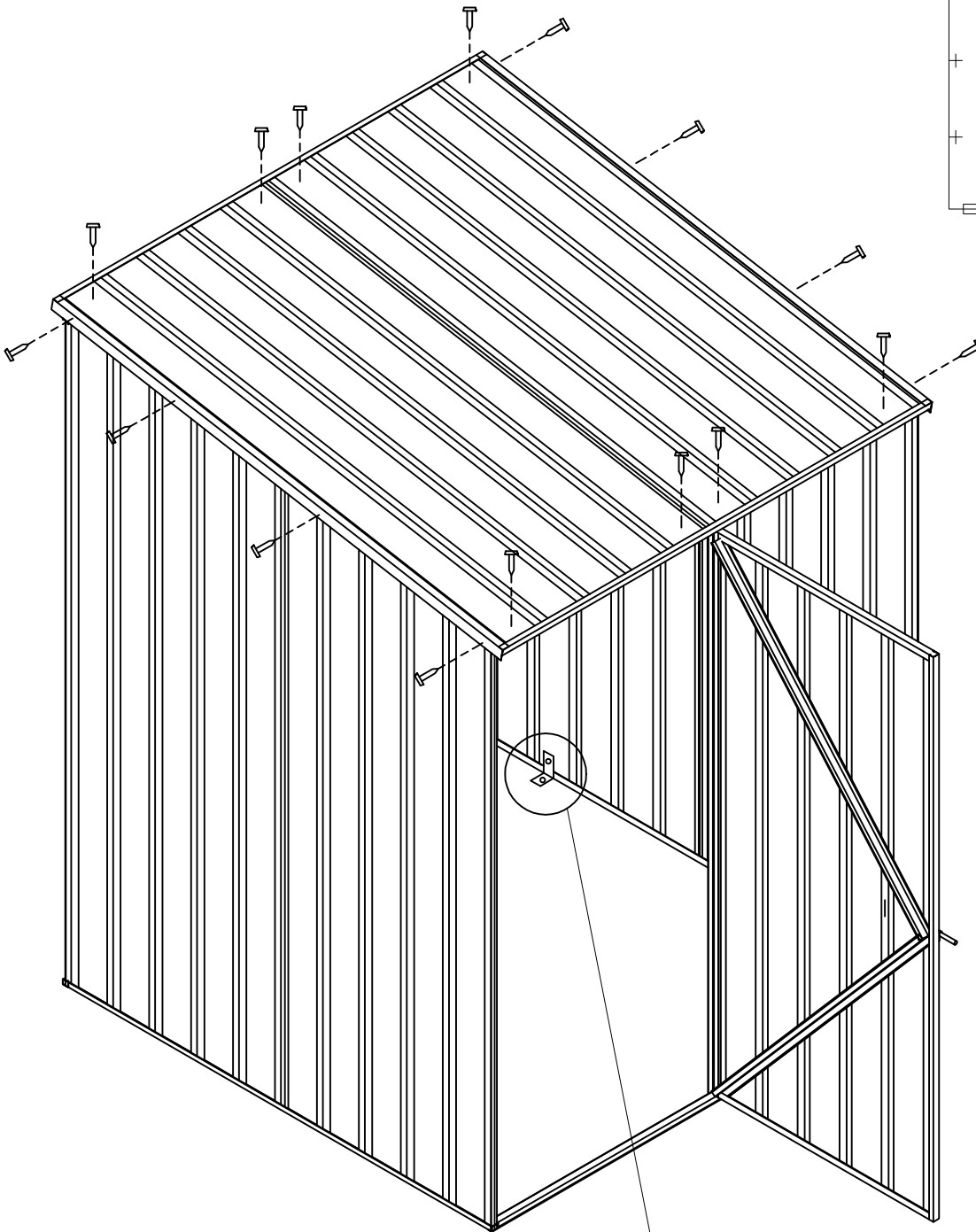
SIDE WALL PANEL CHANNELS FIT INTO THE NOTCHED FRONT AND REAR WALL PANEL CHANNELS





**FINAL CONSTRUCTION**

**ANCHORING OF SHED**



- EACH ANCHOR CONSISTS OF ONE NUT, BOLT, DYNABOLT AND STEEL ANGLE
- DRILL A 10mm HOLE INTO THE WALL SHEET
- DRILL A 10mm HOLE INTO THE CONCRETE

## AUSTRALIA PRODUCT WARRANTY AGAINST DEFECTS

### Congratulations on your purchase of an ABSCO SHED

ABSCO SHEDS, including garden sheds, garden beds, aviaries, storage units, garages, awnings and carports are made using high quality Australian made steel.

We are pleased to advise we warrant that the steel coating will not rust, crack, flake peel or blister for 20 years from date of purchase, when installed within Australia.

This warranty does not apply to surface deterioration of panels caused by "Swarf" (Tiny particles of steel debris left from cutting, grinding or drilling operations) that has not been removed after building construction, or as a result of contact with damp soil, chemicals, fertilisers or other corrosive substances.

This warranty covers any Absco product used for normal domestic use and installed in accordance with the installation instructions. The warranty does NOT cover Damage caused by storms, wind, rain snow or poor foundations.

This warranty does NOT cover ABSCO products installed in severe coastal, industrial or other highly corrosive environments. The warranty does not cover fasteners (screws, nuts, bolts, rivets, hasps or bolts).

The warranty is limited to replacement and delivery of components and does not include any labour or installation costs. The benefits given by the warranty are in addition to your other rights and remedies under a law in relation to the goods or services to which the warranty relates.

The warranty applies to the exclusion of all other representations, guarantees or warranties express or implied, our goods come with guarantees that cannot be excluded under the Australian consumer law and is not transferable. You are entitled to a replacement or refund for a major failure and for compensation for any other foreseeable loss or damage. You are also entitled to have the goods repaired or replaced if the goods fail to be of an acceptable quality and the failure does not amount to a major failure. For further information go to <http://www.consumerlaw.gov.au>.

Please retain a proof of purchase (sales docket or invoice) or register your warranty within 30 days of purchase here: [www.absco.com.au/register\\_warranty.php](http://www.absco.com.au/register_warranty.php)

In the unlikely event a warranty claim is made, it must be supported by photographic evidence and details of the defect, including component part numbers, together with proof of purchase documentation (or on-line registration of purchase) and forwarded to the address below. Upon receipt of the warranty claim, the Customer Service Manager will contact you within three business days to advise you of the assessment outcome of the claim, which may include your expenses incurred in making the claim.

THE CUSTOMER SERVICE MANAGER, ABSCO INDUSTRIES, PO BOX 119 ACACIA RIDGE QLD AUSTRALIA 4110

PHONE: 1800 029701 FAX: 07-33441191 EMAIL: [warranty@absco.com.au](mailto:warranty@absco.com.au)

Issued 01 January 2012

## ABSCO SHEDS - STORAGE GUIDELINES

ABSCO SHEDS include garden sheds, garden beds, storage units, aviaries, garages, awnings and carports.

ABSCO SHEDS are designed to be weatherproof for normal weather conditions. In the event of extreme weather conditions such as heavy rain, combined with high wind gusts, the ridge capping, sheeting joints, screw fixings etc., may exhibit minor deformations which may allow some water entry. These areas should be checked regularly to ensure that maximum strength and protection is maintained.

Other weather conditions such as extreme heat and extreme cold, moist or dry air can influence the effects of concrete floor moisture and/or condensation on the underside of the roof sheets.

ABSCO SHEDS and storage units are primarily used for storage of garden equipment such as lawnmowers, wheelbarrows, garden tools etc. Storage items that might be adversely affected by any of the above conditions may require additional protection such as being sealed or covered by plastic sheets and/or stacked above the concrete floor on timber slats.

Waterproof sealants may be used to offer further protection where required around joins and screw fixings, as can rubber door seals and other products which are available from most hardware outlets.

Placement of waterproof sealants (silicone) between the base of the shed and concrete slab is not recommended, as this process can have a reverse effect, preventing excess water from escaping, resulting with water accumulating and being trapped inside the shed.

Absco accepts no responsibility for water entry, floor moisture, condensation or the condition of the Contents inside your Absco steel building arising from any of the pre-mentioned weather conditions.