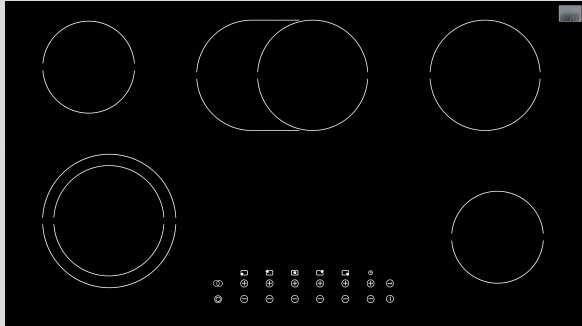


BCC905T

Touch Control Ceramic Cooktop

BLANCO



Model Code

BCC905T

Description

90cm, touch control ceramic cooktop, 5 zones

Made In Italy

Designed and Manufactured in Italy

Warranty

2 year warranty

Features

5 Hi-Light elements

9 stage temperature control

Ceramic glass

Residual Heat lights

Benefits

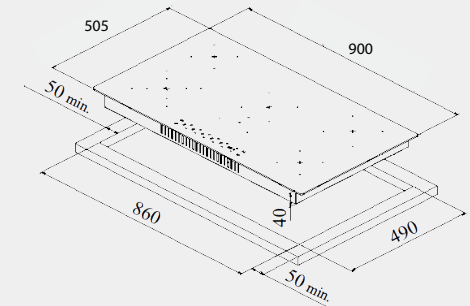
Faster heat times (compared to radiant elements), with a uniform heat distribution. 2 double cooking zones.

With 9 different settings, you can select the ideal cooking temperature for all types of foods to provide the perfect cooking results.

Its resistance to extreme temperatures makes it an ideal cooking surface. With zero thermal expansion, this glass will neither expand nor contract with heat.

Allows you to see that the surface of the cooktop is still hot, preventing accidents.

Specifications



Dimensions:	40H x 900W x 505D mm
Models:	BCC905T
Cutout size:	860W x 490Dmm
Elements:	5 x Hi-Light rapid heat up elements
Controls:	9 stage touch control
Power requirement:	8.6kW

Hi-Light Element Ratings:

Front left:	2000/1400W
Front right:	1200W
Rear left:	1200W
Rear right:	1800W
Centre:	2400W

Cooking Zones Diameter:

Front left:	210/175mm
Front right:	145mm
Rear left:	145mm
Rear right:	180mm
Centre:	170/265mm

Note: Must leave 10mm minimum clearance from bottom of cooktop to dividing shelf.

Due to continual product development the information provided is not final and may be subject to change