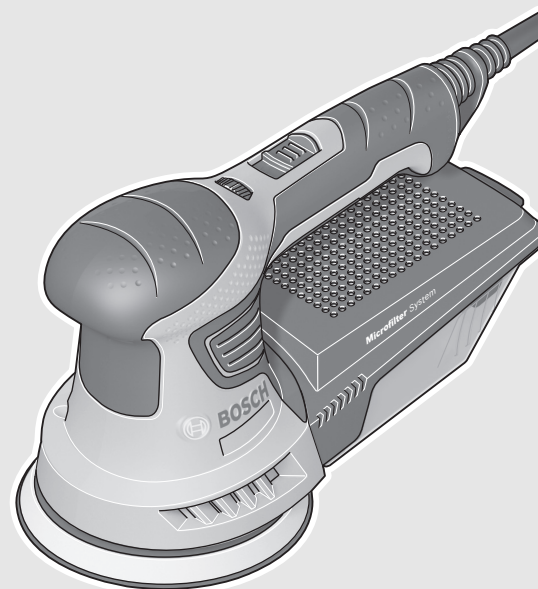


WEU

WEU



**Robert Bosch Power Tools GmbH**  
70538 Stuttgart  
GERMANY

[www.bosch-pt.com](http://www.bosch-pt.com)

1 609 92A 1PC (2014.12) 0 / 84 WEU



1 609 92A 1PC

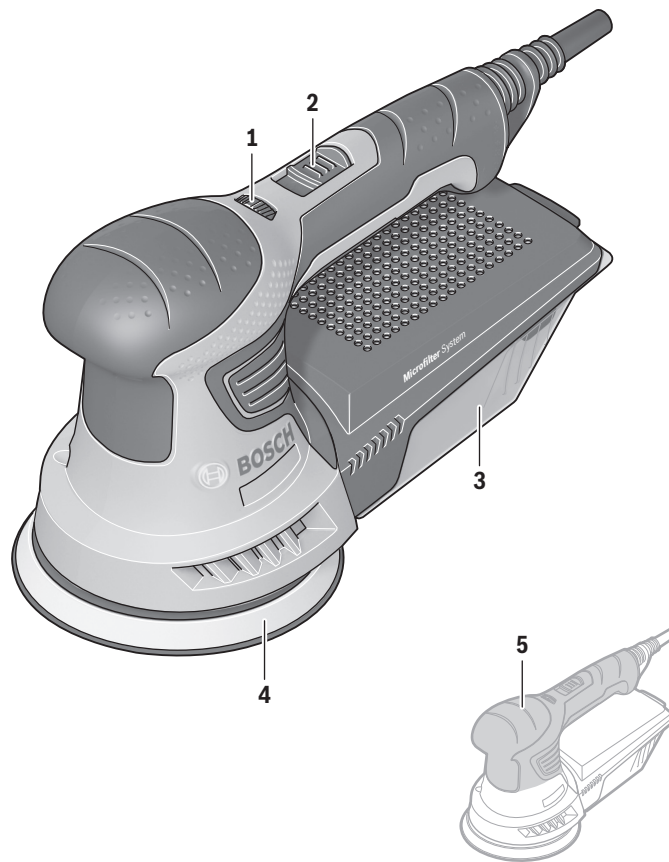
**PEX 300 AE**

 **BOSCH**

**de** Originalbetriebsanleitung  
**en** Original instructions  
**fr** Notice originale  
**es** Manual original  
**pt** Manual original  
**it** Istruzioni originali  
**nl** Oorspronkelijke  
gebruiksaanwijzing  
**da** Original brugsanvisning  
**sv** Bruksanvisning i original  
**no** Original driftsinstruks  
**fi** Alkuperäiset ohjeet

**el** Πρωτότυπο οδηγιών χρήσης  
**tr** Orijinal işletme talimatı  
**ar** تعليمات التشغيل الأصلية

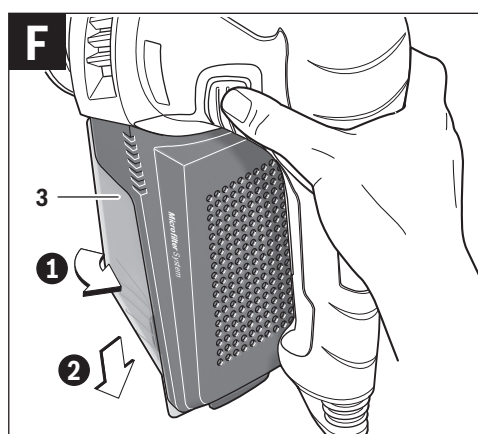
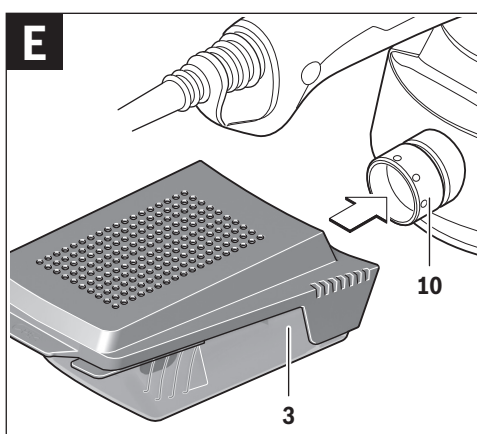
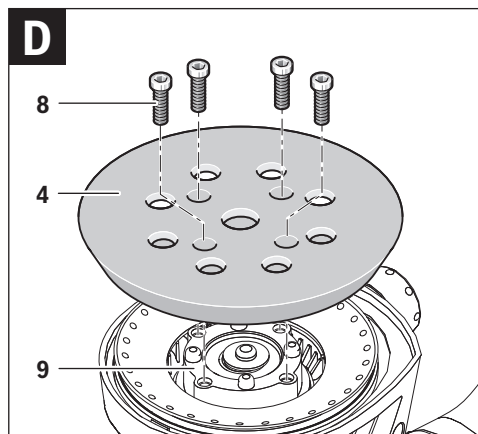
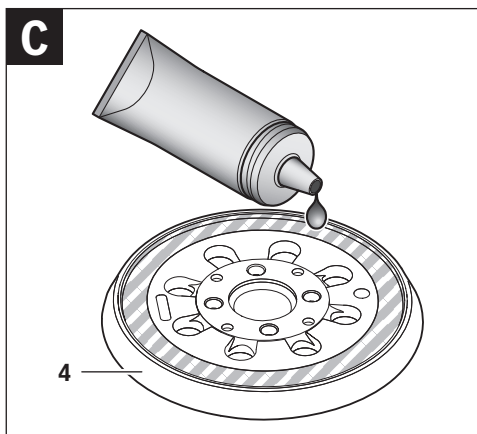
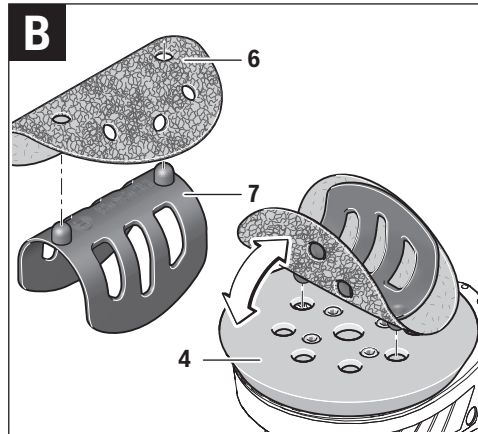
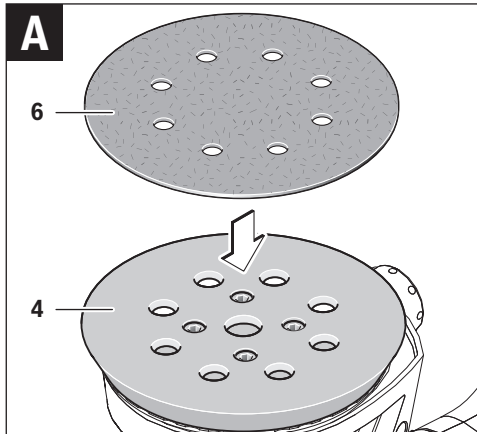


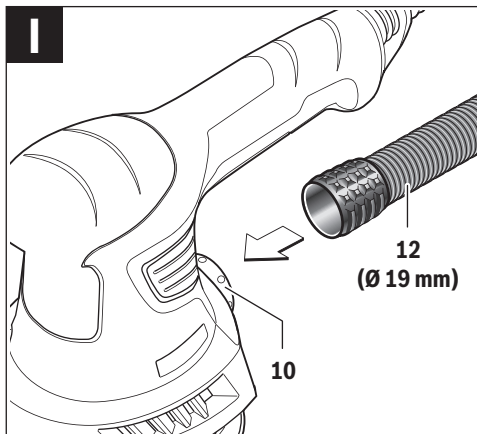
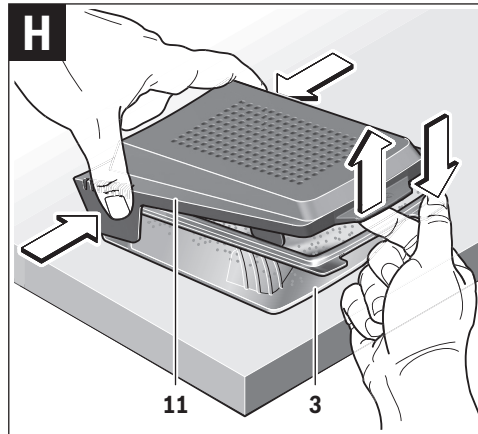
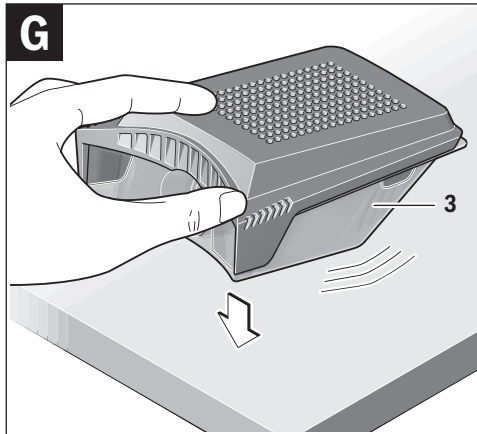


**PEX 300 AE**



4 |





## Wartung und Service

### Wartung und Reinigung

- ▶ **Ziehen Sie vor allen Arbeiten am Elektrowerkzeug den Netzstecker aus der Steckdose.**
- ▶ **Halten Sie das Elektrowerkzeug und die Lüftungsschlitze sauber, um gut und sicher zu arbeiten.**

Wenn ein Ersatz der Anschlussleitung erforderlich ist, dann ist dies von Bosch oder einer autorisierten Kundendienststelle für Bosch-Elektrowerkzeuge auszuführen, um Sicherheitsgefährdungen zu vermeiden.

### Kundendienst und Anwendungsberatung

Der Kundendienst beantwortet Ihre Fragen zu Reparatur und Wartung Ihres Produkts sowie zu Ersatzteilen. Explosionszeichnungen und Informationen zu Ersatzteilen finden Sie auch unter:

#### **www.bosch-pt.com**

Das Bosch-Anwendungsberatungs-Team hilft Ihnen gerne bei Fragen zu unseren Produkten und deren Zubehör.

**www.bosch-do-it.de**, das Internetportal für Heimwerker und Gartenfreunde.

#### **www.1-2-do.com**

In der Heimwerker-Community 1-2-do.com können Sie Produkttester werden, Ideen sammeln oder sich mit anderen Heimwerkern austauschen.

**www.dha.de**, das komplette Service-Angebot der Deutschen Heimwerker Akademie.

Geben Sie bei allen Rückfragen und Ersatzteilbestellungen bitte unbedingt die 10-stellige Sachnummer laut Typenschild des Elektrowerkzeuges an.

### Deutschland

Robert Bosch Power Tools GmbH  
Servicezentrum Elektrowerkzeuge  
Zur Luhne 2

37589 Kalefeld – Willershausen

Unter [www.bosch-pt.de](http://www.bosch-pt.de) können Sie online Ersatzteile bestellen oder Reparaturen anmelden.

Kundendienst: Tel.: (0711) 40040480

Fax: (0711) 40040481

E-Mail: [Servicezentrum.Elektrowerkzeuge@de.bosch.com](mailto:Servicezentrum.Elektrowerkzeuge@de.bosch.com)

Anwendungsberatung: Tel.: (0711) 40040480

Fax: (0711) 40040482

E-Mail: [Anwendungsberatung.pt@de.bosch.com](mailto:Anwendungsberatung.pt@de.bosch.com)

### Österreich

Unter [www.bosch-pt.at](http://www.bosch-pt.at) können Sie online Ersatzteile bestellen.

Tel.: (01) 797222010

Fax: (01) 797222011

E-Mail: [service.elektrowerkzeuge@at.bosch.com](mailto:service.elektrowerkzeuge@at.bosch.com)

### Schweiz

Unter [www.bosch-pt.com/ch/de](http://www.bosch-pt.com/ch/de) können Sie online Ersatzteile bestellen.

Tel.: (044) 8471511

Fax: (044) 8471551

E-Mail: [AfterSales.Service@de.bosch.com](mailto:AfterSales.Service@de.bosch.com)

### Luxemburg

Tel.: +32 2 588 0589

Fax: +32 2 588 0595

E-Mail: [outillage.gereedschap@be.bosch.com](mailto:outillage.gereedschap@be.bosch.com)

### Entsorgung

Elektrowerkzeuge, Zubehör und Verpackungen sollen einer umweltgerechten Wiederverwertung zugeführt werden.

Werfen Sie Elektrowerkzeuge nicht in den Hausmüll!

#### Nur für EU-Länder:



Gemäß der Europäischen Richtlinie 2012/19/EU über Elektro- und Elektronik-Altgeräte und ihrer Umsetzung in nationales Recht müssen nicht mehr gebrauchsfähige Elektrowerkzeuge getrennt gesammelt und einer umweltgerechten Wiederverwertung zugeführt werden.

Änderungen vorbehalten.

## English

### Safety Notes

#### General Power Tool Safety Warnings

**⚠ WARNING** Read all safety warnings and all instructions. Failure to follow the warnings and instructions may result in electric shock, fire and/or serious injury.

#### Save all warnings and instructions for future reference.

The term "power tool" in the warnings refers to your mains-operated (corded) power tool or battery-operated (cordless) power tool.

#### Work area safety

- ▶ **Keep work area clean and well lit.** Cluttered or dark areas invite accidents.
- ▶ **Do not operate power tools in explosive atmospheres, such as in the presence of flammable liquids, gases or dust.** Power tools create sparks which may ignite the dust or fumes.
- ▶ **Keep children and bystanders away while operating a power tool.** Distractions can cause you to lose control.

#### Electrical safety

- ▶ **Power tool plugs must match the outlet. Never modify the plug in any way. Do not use any adapter plugs with earthed (grounded) power tools.** Unmodified plugs and matching outlets will reduce risk of electric shock.
- ▶ **Avoid body contact with earthed or grounded surfaces, such as pipes, radiators, ranges and refrigerators.** There is an increased risk of electric shock if your body is earthed or grounded.

## 12 | English

- ▶ **Do not expose power tools to rain or wet conditions.** Water entering a power tool will increase the risk of electric shock.
- ▶ **Do not abuse the cord. Never use the cord for carrying, pulling or unplugging the power tool. Keep cord away from heat, oil, sharp edges and moving parts.** Damaged or entangled cords increase the risk of electric shock.
- ▶ **When operating a power tool outdoors, use an extension cord suitable for outdoor use.** Use of a cord suitable for outdoor use reduces the risk of electric shock.
- ▶ **If operating a power tool in a damp location is unavoidable, use a residual current device (RCD) protected supply.** Use of an RCD reduces the risk of electric shock.
- ▶ **Store idle power tools out of the reach of children and do not allow persons unfamiliar with the power tool or these instructions to operate the power tool.** Power tools are dangerous in the hands of untrained users.
- ▶ **Maintain power tools. Check for misalignment or binding of moving parts, breakage of parts and any other condition that may affect the power tool's operation. If damaged, have the power tool repaired before use.** Many accidents are caused by poorly maintained power tools.
- ▶ **Keep cutting tools sharp and clean.** Properly maintained cutting tools with sharp cutting edges are less likely to bind and are easier to control.
- ▶ **Use the power tool, accessories and tool bits etc. in accordance with these instructions, taking into account the working conditions and the work to be performed.** Use of the power tool for operations different from those intended could result in a hazardous situation.

## Personal safety

- ▶ **Stay alert, watch what you are doing and use common sense when operating a power tool. Do not use a power tool while you are tired or under the influence of drugs, alcohol or medication.** A moment of inattention while operating power tools may result in serious personal injury.
- ▶ **Use personal protective equipment. Always wear eye protection.** Protective equipment such as dust mask, non-skid safety shoes, hard hat, or hearing protection used for appropriate conditions will reduce personal injuries.
- ▶ **Prevent unintentional starting. Ensure the switch is in the off-position before connecting to power source and/or battery pack, picking up or carrying the tool.** Carrying power tools with your finger on the switch or energising power tools that have the switch on invites accidents.
- ▶ **Remove any adjusting key or wrench before turning the power tool on.** A wrench or a key left attached to a rotating part of the power tool may result in personal injury.
- ▶ **Do not overreach. Keep proper footing and balance at all times.** This enables better control of the power tool in unexpected situations.
- ▶ **Dress properly. Do not wear loose clothing or jewellery. Keep your hair, clothing and gloves away from moving parts.** Loose clothes, jewellery or long hair can be caught in moving parts.
- ▶ **If devices are provided for the connection of dust extraction and collection facilities, ensure these are connected and properly used.** Use of dust collection can reduce dust-related hazards.

## Power tool use and care

- ▶ **Do not force the power tool. Use the correct power tool for your application.** The correct power tool will do the job better and safer at the rate for which it was designed.
- ▶ **Do not use the power tool if the switch does not turn it on and off.** Any power tool that cannot be controlled with the switch is dangerous and must be repaired.
- ▶ **Disconnect the plug from the power source and/or the battery pack from the power tool before making any adjustments, changing accessories, or storing power tools.** Such preventive safety measures reduce the risk of starting the power tool accidentally.

## Service

- ▶ **Have your power tool serviced by a qualified repair person using only identical replacement parts.** This will ensure that the safety of the power tool is maintained.

## Safety Warnings for Sander

- ▶ **Use the machine only for dry sanding.** Penetration of water into the machine increases the risk of an electric shock.
- ▶ **Pay attention that no persons are put at risk through sparking. Remove any combustible materials in the vicinity.** Sparking occurs when sanding metal materials.
- ▶ **Caution, fire hazard! Avoid overheating the object being sanded as well as the sander. Always empty the dust collector before taking breaks.** In unfavourable conditions, e. g., when sparks emit from sanding metals, sanding debris in the dust bag, micro filter or paper sack (or in the filter sack or filter of the vacuum cleaner) can self-ignite. Particularly when mixed with remainders of varnish, polyurethane or other chemical materials and when the sanding debris is hot after long periods of working.
- ▶ **Secure the workpiece.** A workpiece clamped with clamping devices or in a vice is held more secure than by hand.

**Products sold in GB only:** Your product is fitted with a BS 1363/A approved electric plug with internal fuse (ASTA approved to BS 1362).

If the plug is not suitable for your socket outlets, it should be cut off and an appropriate plug fitted in its place by an authorised customer service agent. The replacement plug should have the same fuse rating as the original plug. The severed plug must be disposed of to avoid a possible shock hazard and should never be inserted into a mains socket elsewhere.

**Products sold in AUS and NZ only:** Use a residual current device (RCD) with a rated residual current of 30 mA or less.

## Product Description and Specifications



**Read all safety warnings and all instructions.** Failure to follow the warnings and instructions may result in electric shock, fire and/or serious injury.

### Intended Use

The machine is intended for dry sanding of wood, plastic, metal, filler as well as coated surfaces. Machines with electronic control are also suitable for polishing.

### Product Features

The numbering of the product features refers to the illustration of the machine on the graphics page.

- 1 Thumbwheel for orbit frequency preselection
- 2 On/Off switch
- 3 Dust box, complete (Microfilter System)
- 4 Sanding plate
- 5 Handle (insulated gripping surface)
- 6 Sanding sheet\*
- 7 Alignment aid for sanding sheet\*
- 8 Screws for sanding plate
- 9 Sanding-plate base
- 10 Extraction outlet
- 11 Filter element (Microfilter System)
- 12 Vacuum hose\*

\*Accessories shown or described are not part of the standard delivery scope of the product. A complete overview of accessories can be found in our accessories program.

### Technical Data

Random Orbital Sander		PEX 300 AE
Article number		3 603 CA3 ...
Preselection of orbital stroke rate		●
Rated power input	W	270
No-load speed $n_0$	$\text{min}^{-1}$	2000–12000
No-load orbital stroke rate	$\text{min}^{-1}$	4000–24000
Orbit diameter	mm	4
Sanding plate diameter	mm	125
Weight according to EPTA-Procedure 01:2014	kg	1.5
Protection class		□/II

The values given are valid for a nominal voltage [U] of 230 V. For different voltages and models for specific countries, these values can vary.

### Noise/Vibration Information

Sound emission values determined according to EN 60745-2-4.

Typically the A-weighted noise levels of the product are: Sound pressure level 85 dB(A); Sound power level 96 dB(A). Uncertainty K = 3 dB.

#### Wear hearing protection!

Vibration total values  $a_h$  (triax vector sum) and uncertainty K determined according to EN 60745:

$$a_h = 9.0 \text{ m/s}^2, K = 1.5 \text{ m/s}^2.$$

The vibration level given in this information sheet has been measured in accordance with a standardised test given in EN 60745 and may be used to compare one tool with another. It may be used for a preliminary assessment of exposure. The declared vibration emission level represents the main applications of the tool. However if the tool is used for different applications, with different accessories or insertion tools or is poorly maintained, the vibration emission may differ. This may significantly increase the exposure level over the total working period.

An estimation of the level of exposure to vibration should also take into account the times when the tool is switched off or when it is running but not actually doing the job. This may significantly reduce the exposure level over the total working period.


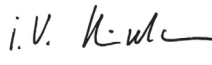
Identify additional safety measures to protect the operator from the effects of vibration such as: maintain the tool and the accessories, keep the hands warm, organisation of work patterns.

### Declaration of Conformity

We declare under our sole responsibility that the product described under "Technical Data" is in conformity with all relevant provisions of the directives 2011/65/EU, 2014/30/EU, 2006/42/EC including their amendments and complies with the following standards: EN 60745-1, EN 60745-2-4, EN 50581.

Technical file (2006/42/EC) at:  
Robert Bosch Power Tools GmbH, PT/ETM9,  
70538 Stuttgart, GERMANY

Henk Becker                      Helmut Heinzlmann  
Executive Vice President      Head of Product Certification  
Engineering                      PT/ETM9

 i.V. 

Robert Bosch Power Tools GmbH  
70538 Stuttgart, GERMANY  
Stuttgart, 01.01.2017

### Assembly

► **Before any work on the machine itself, pull the mains plug.**

## 14 | English

**Selecting the Sanding Sheet**

Select a sanding sheet with the appropriate grain as required for the desired surface removal rate. Bosch sanding sheets are suitable for paint, wood and metal.

	Operational area	Application	Grain size	
Removal (coarse sanding)	<ul style="list-style-type: none"> <li>- Coarse sanding down with high material removal</li> <li>- Removal of old paint</li> </ul>	- Sanding old paint, varnish and filler	extra coarse	40
		<ul style="list-style-type: none"> <li>- Removal of thin coats</li> <li>- Pre-sanding rough, unplanned surfaces</li> </ul>	coarse	60
Preparation (intermediate sanding)	<ul style="list-style-type: none"> <li>- Light sanding down</li> <li>- Light sanding of surfaces for continued processing</li> </ul>	- Face sanding and planing of irregularities	medium	80
		<ul style="list-style-type: none"> <li>- Removing score marks from coarse-sanding</li> <li>- Evening out/touching up before applying paint/varnish</li> </ul>	fine	120
Fine Sanding	<ul style="list-style-type: none"> <li>- Intermediate varnish sanding</li> <li>- Light sanding of coating defects</li> </ul>	- Removal of fibres from surfaces	very fine	180
		<ul style="list-style-type: none"> <li>- Fine sanding before staining or glazing</li> <li>- Light sanding of primer prior to coating</li> </ul>	extra fine	240

**Replacing the Sanding Sheet (see figures A – B)**

To remove the sanding sheet **6**, lift it from the side and pull it off of the sanding plate **4**.

When attaching a new sanding sheet, remove any dust or debris from the sanding plate **4**, e. g., with a brush.

The surface of the sanding plate **4** is fitted with Velcro backing for quick and easy fastening of sanding sheets with Velcro adhesion.

Press the sanding sheet **6** firmly against the bottom side of the sanding plate **4**.

To ensure optimum dust extraction, pay attention that the punched holes in the sanding sheet match with the holes in the sanding plate.

The alignment aid **7** can be used for alignment of the sanding sheet **6** on the sanding plate **4**. Place the sanding sheet with the Velcro facing upward on the alignment aid. Press the cams of the alignment aid into two holes of the sanding plate and roll off the sanding sheet from the alignment aid. Press the sanding sheet firmly against the sanding plate.

**Selection of the Sanding Plate**

Depending on the application, the machine can be equipped with sanding plates of different hardness:

- Sanding plate, medium (black): Suitable for all sanding work; universally usable.
- Sanding plate, soft (grey, accessory): Suitable for intermediate and fine sanding, incl. on convex surfaces.

**Replacing the Sanding Plate (see figures C – D)**

**Note:** Replace a damaged sanding plate **4** immediately.

Pull off the sanding sheet or the polishing accessory. Unscrew the four screws **8** completely and remove the sanding plate **4**.

Clean the upper side of the new sanding plate **4**. Apply a thin coat of synthetic grease to the outer ring hatched grey in the figure.

Attach the new sanding plate **4** and tighten the four screws again.

**Note:** A damaged sanding-plate base **9** may be changed only by an authorised after-sales service agent for Bosch power tools.

**Dust/Chip Extraction**

- Dusts from materials such as lead-containing coatings, some wood types, minerals and metal can be harmful to one's health. Touching or breathing-in the dusts can cause allergic reactions and/or lead to respiratory infections of the user or bystanders.

Certain dusts, such as oak or beech dust, are considered as carcinogenic, especially in connection with wood-treatment additives (chromate, wood preservative). Materials containing asbestos may only be worked by specialists.

- As far as possible, use a dust extraction system suitable for the material.
- Provide for good ventilation of the working place.
- It is recommended to wear a P2 filter-class respirator.

Observe the relevant regulations in your country for the materials to be worked.

- **Prevent dust accumulation at the workplace.** Dusts can easily ignite.

**Integrated Dust Extraction with Dust Box (see figures E – H)**

Attach the dust box **3** onto the extraction outlet **10** until it latches.

The filling level of the dust box **3** can easily be checked through the transparent container.



To empty the dust box **3**, pull it off toward the bottom with a twisting motion.

Before opening the dust box **3**, it is recommended to loosen the dust from the filter element by gently striking it against a firm support (as shown in the figure).

Hold the dust box **3** firmly, fold the filter element **11** upward and empty the dust box. Clean the thin plates of the filter element **11** with a soft brush.

**Note:** To ensure optimum dust extraction, empty the dust box **3** in good time and clean the filter element **11** at regular intervals.

When working vertical surfaces, hold the power tool in such a manner that the dust box **3** faces downward.

#### External Dust Extraction (see figure I)

Mount a vacuum hose **12** onto the extraction outlet **10**. Connect the vacuum hose **12** with a vacuum cleaner. An overview for the connection of various vacuum cleaners can be found at the end of these instructions.

The vacuum cleaner must be suitable for the material being worked.

When vacuuming dry dust that is especially detrimental to health or carcinogenic, use a special vacuum cleaner.

When working vertical surfaces, hold the power tool in such a manner that the vacuum hose faces downward.

## Operation

### Starting Operation

- **Observe correct mains voltage! The voltage of the power source must agree with the voltage specified on the nameplate of the machine. Power tools marked with 230 V can also be operated with 220 V.**

### Switching On and Off

To **start** the machine, push the On/Off switch **2** forward so that the “**1**” is indicated on the switch.

To **switch off** the machine, push the On/Off switch **2** toward the rear so that the “**0**” is indicated on the switch.

To save energy, only switch the power tool on when using it.

### Preselecting the Orbital Stroke Rate

With the thumbwheel for preselection of the orbital stroke rate **1**, you can preselect the required orbital stroke rate, even during operation.

1 – 2	Low stroke rate
3 – 4	Medium stroke rate
5 – 6	High stroke rate

The required stroke rate depends on the material and the working conditions and can be determined through practical testing.

After longer periods of working at low stroke rate, allow the machine to cool down by running it for approx. 3 minutes at maximum stroke rate with no load.

### Working Advice

- **Before any work on the machine itself, pull the mains plug.**
- **Wait until the machine has come to a standstill before placing it down.**

### Sanding Surfaces

Switch the machine on, place it with the complete sanding surface on the surface to be worked and move the machine with moderate pressure over the workpiece.

The removal capacity and the sanding pattern are mainly determined by the selection of the sanding sheet, the preselected orbital stroke rate and the applied pressure.

Only flawless sanding sheets achieve good sanding capacity and extend the service life of the machine.

Pay attention to apply uniform sanding pressure; this increases the working life of the sanding sheets.

Intensifying the sanding pressure does not lead to an increase of the sanding capacity, but to increased wear of the machine and the sanding sheet.

A sanding sheet that has been used for metal should not be used for other materials.

Use only original Bosch sanding accessories.

### Rough Sanding

Attach a sanding sheet with coarse grain.

Apply only light pressure to the machine so that it runs at a higher stroke rate and high material removal is achieved.

### Fine Sanding

Attach a sanding sheet with fine grain.

By lightly varying the application pressure or changing the orbital stroke rate, the sanding plate stroke rate can be reduced whereby the orbital action is maintained.

With moderate pressure, move the machine in a circular pattern or alternately in lengthwise and crosswise directions over the workpiece. Do not tilt the machine to avoid sanding through the workpiece (e. g. when sanding veneer).

After finishing the working procedure, switch the power tool off.

### Polishing

For the polishing of weathered paint or buffing out scratches (e. g., acrylic glass), the machine can be equipped with appropriate polishing accessories such as lamb's wool bonnet, polishing felt or sponge (accessories).

Select a low stroke rate (setting 1 – 2) for polishing in order to avoid excessive heating of the surface.

Apply the polish onto a somewhat smaller surface than you intend to polish. Work the polishing agent in with a suitable polishing tool applying it crosswise or with circular motion and moderate pressure.

Do not allow the polishing agent to dry out on the surface, otherwise the surface can become damaged. Do not subject the surface to be polished to direct sunlight.

**16 | English**

Clean the polishing accessories regularly to ensure good polishing results. Wash out polishing accessories with a mild detergent and warm water; do not use paint thinner.

**Application Table**

The data in the following table are recommended values.

The most favourable combination for working is best determined by practical testing.

Application	Grain Size (course sanding/ fine sanding)	Oscillation Rate
Roughening varnish	180/240	2/3
Touching up varnish	120/240	4/5
Removing varnish	40/60	5
Softwood	40/240	5/6
Hardwood	60/240	5/6
Veneer	180/240	2–4
Aluminium	80/240	4/5
Steel	40/240	5
Derusting steel	40/120	6
Stainless steel	80/240	5
Masonry, stone	80/240	5/6

**Maintenance and Service****Maintenance and Cleaning**

- ▶ **Before any work on the machine itself, pull the mains plug.**
- ▶ **For safe and proper working, always keep the machine and ventilation slots clean.**

If the replacement of the supply cord is necessary, this has to be done by Bosch or an authorized Bosch service agent in order to avoid a safety hazard.

**After-sales Service and Application Service**

Our after-sales service responds to your questions concerning maintenance and repair of your product as well as spare parts. Exploded views and information on spare parts can also be found under:

**www.bosch-pt.com**

Bosch's application service team will gladly answer questions concerning our products and their accessories.

In all correspondence and spare parts order, please always include the 10-digit article number given on the type plate of the machine.

**Great Britain**

Robert Bosch Ltd. (B.S.C.)  
P.O. Box 98  
Broadwater Park  
North Orbital Road  
Denham  
Uxbridge  
UB 9 5HJ

At [www.bosch-pt.co.uk](http://www.bosch-pt.co.uk) you can order spare parts or arrange the collection of a product in need of servicing or repair.

Tel. Service: (0344) 7360109

E-Mail: [boschservicecentre@bosch.com](mailto:boschservicecentre@bosch.com)

**Ireland**

Origo Ltd.  
Unit 23 Magna Drive  
Magna Business Park  
City West  
Dublin 24  
Tel. Service: (01) 4666700  
Fax: (01) 4666888

**Australia, New Zealand and Pacific Islands**

Robert Bosch Australia Pty. Ltd.  
Power Tools  
Locked Bag 66  
Clayton South VIC 3169  
Customer Contact Center  
Inside Australia:  
Phone: (01300) 307044  
Fax: (01300) 307045  
Inside New Zealand:  
Phone: (0800) 543353  
Fax: (0800) 428570  
Outside AU and NZ:  
Phone: +61 3 95415555  
[www.bosch.com.au](http://www.bosch.com.au)

**Republic of South Africa**

**Customer service**  
Hotline: (011) 6519600

**Gauteng – BSC Service Centre**


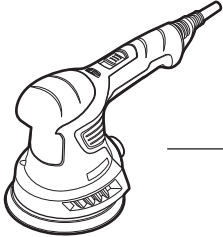
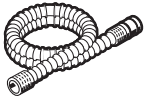


35 Roper Street, New Centre  
Johannesburg  
Tel.: (011) 4939375  
Fax: (011) 4930126  
E-Mail: [bsctools@icon.co.za](mailto:bsctools@icon.co.za)

**KZN – BSC Service Centre**

Unit E, Almar Centre  
143 Crompton Street  
Pinetown  
Tel.: (031) 7012120  
Fax: (031) 7012446  
E-Mail: [bsc.dur@za.bosch.com](mailto:bsc.dur@za.bosch.com)

**Western Cape – BSC Service Centre**

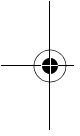

Democracy Way, Prosperity Park  
Milnerton  
Tel.: (021) 5512577  
Fax: (021) 5513223  
E-Mail: [bsc@zsd.co.za](mailto:bsc@zsd.co.za)

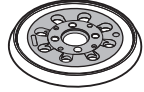
Ø 19 mm  
 2 600 793 009 (3 m)  
 1 610 793 002 (5 m)

2 607 000 748


PAS 11-21  
 PAS 12-27  
 PAS 12-27 F

2 609 256 051




2 609 256 B62




2 609 256 049



2 609 256 B61



2 609 256 054



2 608 601 126

